

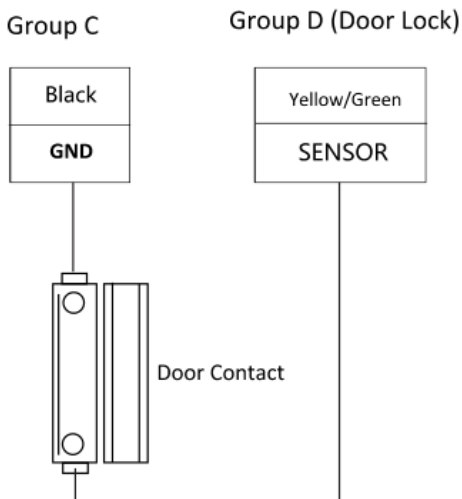
DS-K1T Series Terminal Connect to Door Sensor

Operation Process

- 1) Select corresponding port to connect
- 2) Test

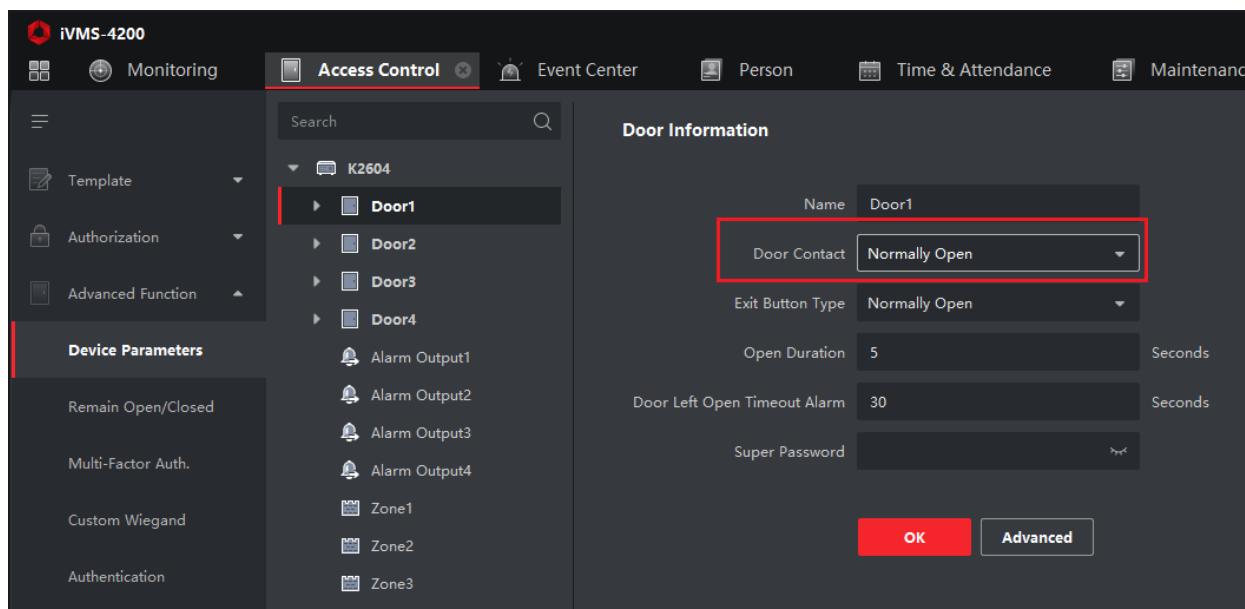
Operation Steps:

1. Select corresponding port to connect.



2. Test

- 1) Configure door sensor status on 4200 ,5200E or Hikcentral;



- 2) Verify and check door sensor status

DS-K1T Series Standalone Terminal Connect to Door Sensor

K2604:Door1	-	-	-	to	Normally Close Door
K2604:Door1	-	-	-	to	Door Locked
K2604:Door1	-	-	-	to	Release Door Button
K2604:Door1	-	-	-	to	Normally Open Door
K2604:Door1	-	-	-	to	Door Unlocked
K2604:Door1	-	-	-	to	Press Door Button

Unlock Door and Lock Door belong to relay event.

Normally Open Door and Normally Close Door belong to door sensor event.

Suitable Models:

Model	
DS-K1T105E/M	DS-K1T105E/M -C
DS-K1T804EF/MF	DS-K1T804EF/MF -1
DS-K1T201EF/MF	DS-K1T201EF/MF -C