

DS-K2600 Series Controller Connect to Door Sensor

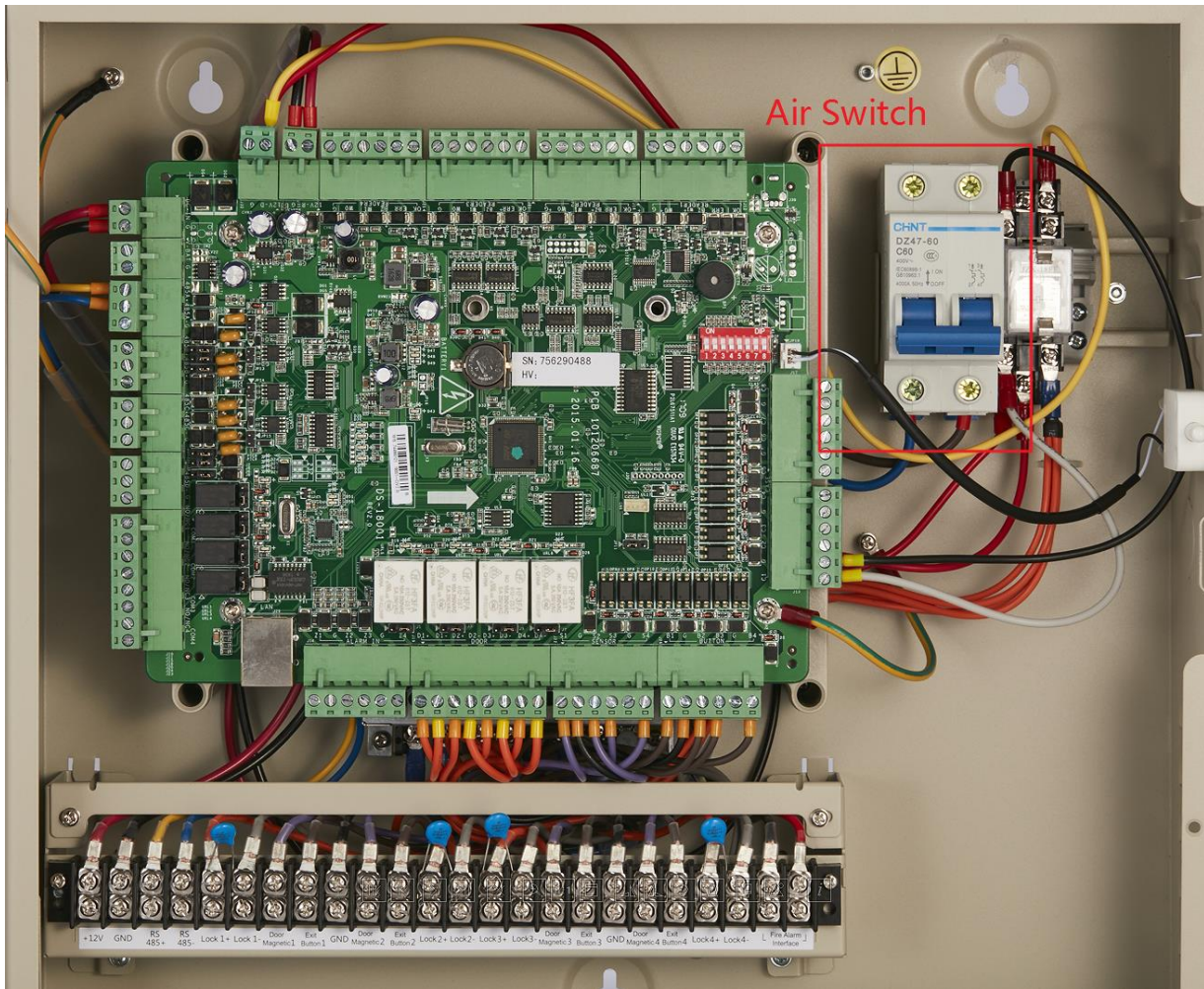
Operation Process

- 1) Power on DS-K2600 controller
- 2) Connect controller to door sensor cable

Operation Steps:

1. Power on DS-K2600 controller

- a) Power on the air switch

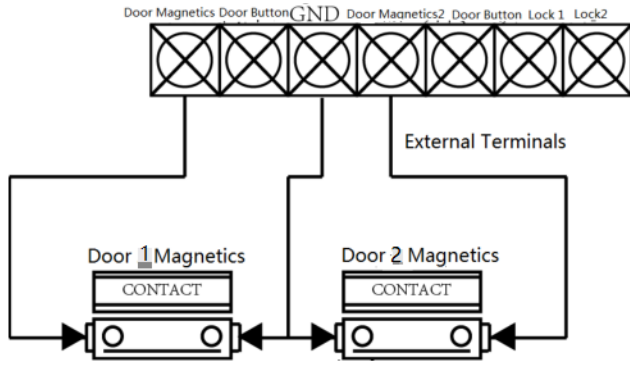


2. Connect controller to Door sensor

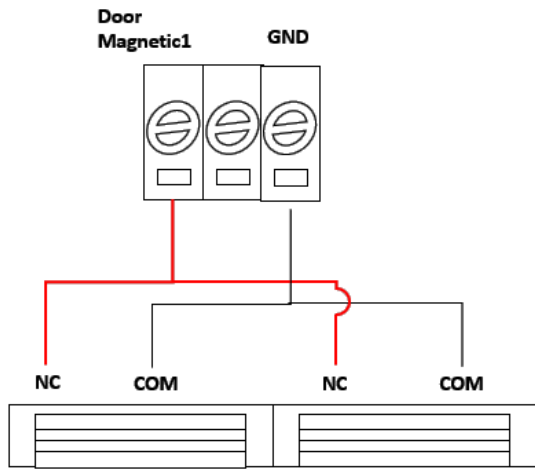
- a) Single door

Check the label on the door for sensor cable (2 pin, please notice **door sensor signal is different from lock status signal**, we need door sensor cable), connect 2 door sensor cables to **Door Magnetic** and **GND**

DS-K2600 Series Controller Connect to Door Sensor



- b) Two door lock
 - Here we have 2 types, NC wiring and NO wiring
 - i) NC wiring



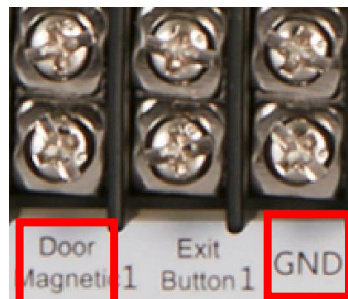
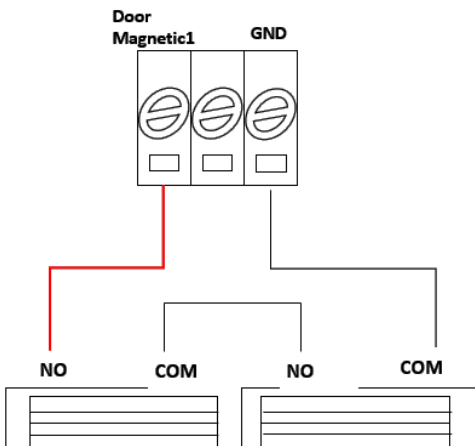
Door Information:

Door Magnetic:

Exit Button Type:

When any door open, upload to controller a connected signal.
 When two doors closed, upload to controller a disconnected signal.

- ii) NO wiring



DS-K2600 Series Controller Connect to Door Sensor

Door Information:

Door Magnetic: ▾

Exit Button Type: ▾

When any door open, upload to controller a disconnected signal.

When two doors closed ,upload to controller a connected signal.

Suitable Models:

Model	Description
DS-K2601	Single door access controller
DS-K2602	Two door access controller
DS-K2604	Four door access controller