

AE-VC221T-IR IR Turret Mobile Camera

Available Model

AE-VC221T-IR

Key Features

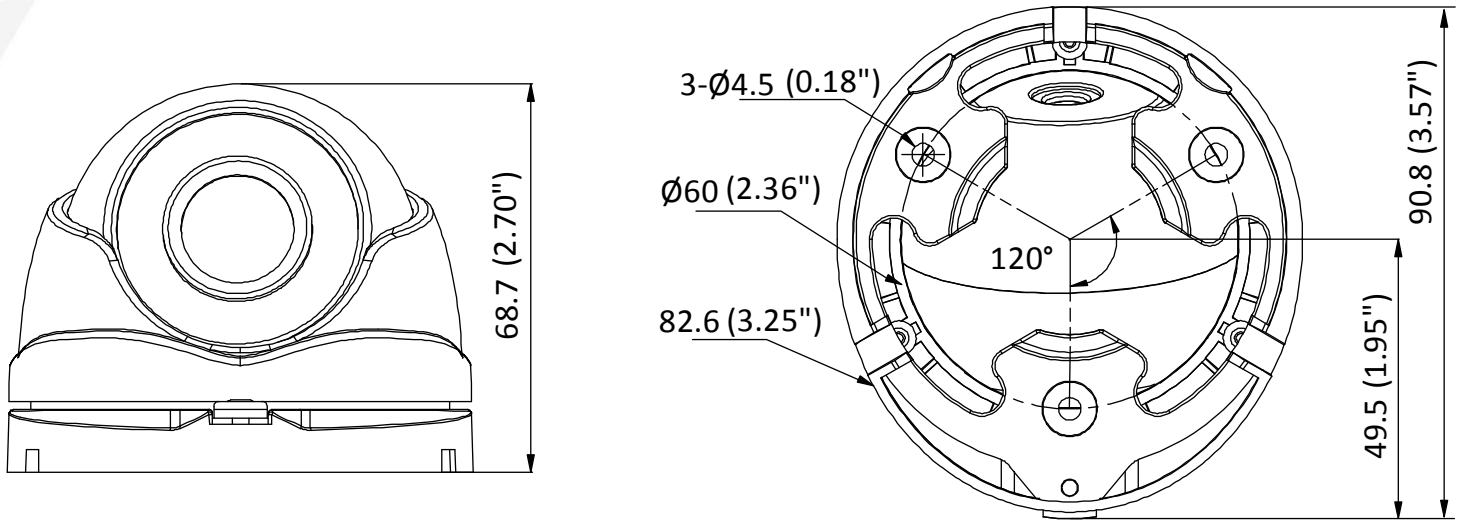
- 2MP progressive scan CMOS
- 1920 × 1080 resolution
- 0.1 Lux@(F2.0,AGC ON), 0 Lux with IR
- Auto electronic day & night switch
- Auto white balance
- Smart IR
- Supports the adaptive light with the electronic gain function
- Double-ring glass design for clear image
- Convenient adjustment
- Anti-vibration design and aviation plug for mobile environments



Specifications

| | |
|----------------------------|--|
| Model | AE-VC221T-IR |
| Camera | |
| Image sensor | 2 MP progressive scan CMOS |
| Min. illumination | 0.1 Lux @ (F2.0, AGC ON), 0 Lux with IR |
| Shutter | 1/25 s to 1/100,000 s |
| Lens | 3.6 mm (2.8 mm optional) |
| Lens mount | M12 |
| Angle adjustment | Pan: 0° to 360°, tilt: 0° to 75°, rotate: 0° to 360° |
| Day & Night | Electronic |
| Resolution | 1080p@25 fps |
| Synchronization | Internal synchronization |
| S/N ratio | 46 dB |
| White balance | Auto white balance |
| Smart IR | Support smart IR |
| Interface | |
| Video output | 1 Vp-p composite output (aviation plug) |
| Aviation plug order | 1 – video, 2 – grounding, 3 – power, 4 – grounding |
| General | |
| Working temperature | -40 °C to 75 °C (-40 °F to 167 °F) |
| Working humidity | 10% to 95% |
| Power supply | 6 VDC to 16 VDC |
| Power consumption | Max. 3.5 W |
| IR range | 10 m |
| Dimension (L × H) | 90.8 mm × 68.7 mm (3.57" × 2.70") |
| Weight | 400 g (0.88 lb.) |

Dimensions



Unit: mm (")

Distributed by



HIKVISION

Headquarters

No.555 Qianmo Road, Binjiang District,
Hangzhou 310051, China
T +86-571-8807-5998
overseasbusiness@hikvision.com

Hikvision USA
T +1-909-895-0400
sales.usa@hikvision.com

Hikvision Europe
T +31-23-55-42-770
info.eu@hikvision.com

Hikvision Middle East
T +971-4-8816086
salesme@hikvision.com

Hikvision Russia
T +7-495-669-67-99
sateru@hikvision.com

Hikvision India
T +91-22-28469900
sales@pramahikvision.com

Hikvision Italy
T +39-0438-6902
info.it@hikvision.com

Hikvision France
T +33(0)1-85-330-450
info.fr@hikvision.com

Hikvision Spain
T +34-91-737-16-55
info.es@hikvision.com

Hikvision Poland
T +48-22-460-01-50
poland@hikvision.com

Hikvision UK
T +01628-902140
support.uk@hikvision.com

Hikvision Singapore
T +65-6684-4718
sg@hikvision.com

Hikvision Oceania
T +61-2-8599-4233
salesau@hikvision.com

Hikvision Canada
T +1-909-895-0400
sales.usa@hikvision.com

Hikvision Korea
T +82-31-731-8841
sales.korea@hikvision.com

Hikvision Brazil
T +55 11 3318-0050
Latam.support@hikvision.com

Hikvision Africa
T +27 (0) 0351172
sale.africa@hikvision.com

Hikvision Hong Kong
T +852-2151-1761