

## DS-2XM6825G0/C-IV(S)(M)(M/ND) 2 MP IR Mobile Network Camera



- 1/2.8" Progressive Scan CMOS
- 1920 × 1200 @ 30fps
- 2 mm fixed lens
- Digital WDR
- 3D DNR
- ROI
- IP66, IK08
- H.265, H.265+



## Specifications

Camera	
Image Sensor	1/2.8" Progressive Scan CMOS
Min. Illumination	Color: 0.002 Lux @ (F1.2, AGC ON), 0.007 Lux @ (F2.25, AGC ON) B/W: 0.0002 Lux @ (F1.2, AGC ON), 0.0007 Lux @ (F2.25, AGC ON)
Shutter Speed	1/25 s to 1/100,000 s
Day & Night	IR Cut Filter
WDR	Digital WDR
Angle Adjustment	Pan: 0°, Tilt: 0° to 25°, Rotate: 0°
Lens	
Focal Length	2 mm fixed lens
Aperture	F2.25
FOV	Horizontal FOV 108°, vertical FOV 84°, diagonal FOV 117.5°
Lens Mount	M12
IR	
IR Range	Up to 3 m IR range
Wavelength	850 nm
Video	
Max. Resolution	1920 × 1200
Main Stream	50Hz: 25fps (1920 × 1200, 1440 × 900); 60Hz: 30fps (1920 × 1200, 1440 × 900)
Sub Stream	50Hz: 25fps (704 × 576, 640 × 480) 60Hz: 30fps (704 × 480, 640 × 480)
Video Compression	Main stream: H.265+/H.265/H.264+/H.264 Sub stream: H.265/H.264/MJPEG
H.264 Type	BaseliNe Profile/Main Profile/High Profile
H.264+	Main stream supports
H.265 Type	Main Profile
H.265+	Main stream supports
Video Bit Rate	32 Kbps to 16 Mbps
SVC	H.265 and H.264 support
Audio	
Audio Compression	G.711/G.722.1/G.726/MP2L2/PCM
Audio Bit Rate	64Kbps(G.711)/16Kbps(G.722.1)/16Kbps(G.726)/32-160Kbps(MP2L2)
Environment Noise Filtering	Yes
Audio Sampling Rate	8kHz/16kHz/32kHz/44.1kHz/48kHz
Smart Feature-Set	
Smart Event	Audio exception detection, defocus detection
Basic Event	Motion detection, video tampering alarm, exception (network disconnected, IP address conflict, illegal login, HDD full, HDD error)
People Counting	Counts people entering and exiting separately

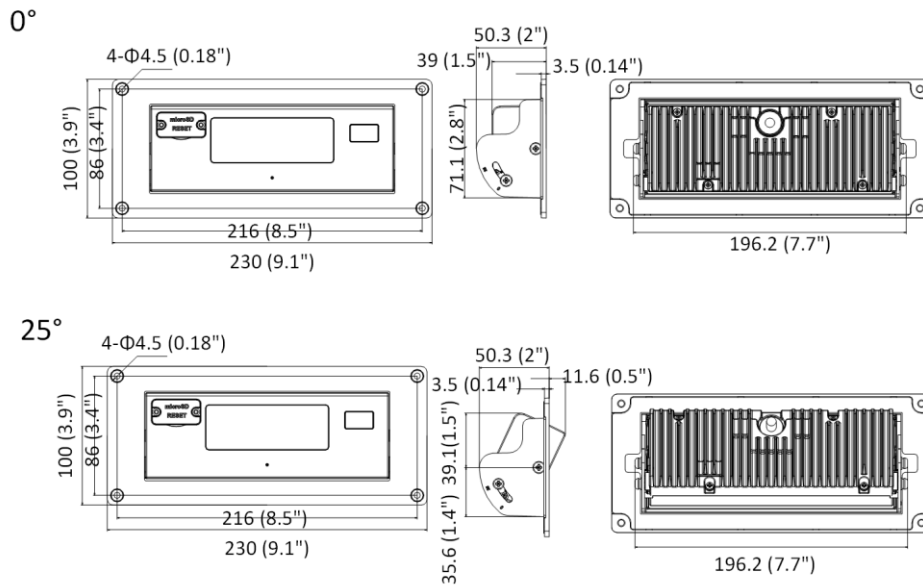
	<p>Supports real-time uploading and uploading by statistic cycle</p> <p>Sends email reports on daily, weekly, monthly or annually basis</p> <p>Supports target filtering by height</p>
Linkage Method	Upload to FTP/NAS/memory card, notify surveillance center, send email, trigger alarm output, trigger recording, trigger capture
Region of Interest	4 fixed regions for main stream and sub-stream
<b>Image</b>	
Image Enhancement	HLC, BLC, 3D DNR, defog
Image Setting	Saturation, brightness, contrast, sharpness are adjustable by client software or web browser
Day/Night Switch	Day/Night/Auto/Schedule/Triggered by alarm input (-S)
Picture Overlay	LOGO picture can be overlaid on video with 128 × 128 24bit bmp format
<b>Network</b>	
Network Storage	Support microSD/SDHC/SDXC card (256 G), local storage and NAS (NFS,SMB/CIFS), ANR Together with high-end Hikvision memory card, memory card encryption and health detection are supported.
Protocols	TCP/IP, ICMP, HTTP, HTTPS, FTP, DHCP, DNS, DDNS, RTP, RTSP, RTCP, PPPoE, NTP, UPnP, SMTP, SNMP, IGMP, 802.1X, QoS, IPv6, UDP, Bonjour, SSL/TLS
API	ONVIF (PROFILE S, PROFILE G), ISAPI, SDK, Ehome
Security	Password protection, complicated password, HTTPS encryption, 802.1X authentication (EAP-TLS, EAP-LEAP, EAP-MD5), watermark, IP address filter, basic and digest authentication for HTTP/HTTPS, WSSE and digest authentication for ONVIF, RTP/RTSP over HTTPS, control timeout settings, security audit log
Simultaneous Live View	Up to 20 channels
User/Host	Up to 32 users. 3 user levels: administrator, operator and user
Client	iVMS-4200, Hik-Connect
Web Browser	IE8+, Chrome 41.0-44, Mozilla Firefox30.0-51, Safari8.0-11
<b>Interface</b>	
Communication Interface	<p>-IVS: 1 RJ45 10M/100M Ethernet port, 1 RS-485 interface (half duplex, HIKVISION, Pelco-P, Pelco-D, self-adaptive)</p> <p>-IVSM, -IVM/ND: M12 aviation plug, 4-core 10M/100M Ethernet port</p>
Audio	<p>1 built-in mic</p> <p>-IVS: 1 input (line in, two-core terminal block), 1 output (two-core terminal block), mono sound</p>
Alarm (-S)	2 inputs, 2 outputs (max. 12 VDC, 30mA)
Video Out (-IVS)	1Vp-p composite output (75 Ω/CVBS), only for adjustment
On-board storage	Built-in micro SD/SDHC/SDXC slot, up to 256 GB
<b>General</b>	
Firmware Version	5.5.90
Web Client Language	32 languages. English, Russian, Estonian, Bulgarian, Hungarian, Greek, German, Italian, Czech, Slovak, French, Polish, Dutch, Portuguese, Spanish, Romanian, Danish, Swedish, Norwegian, Finnish, Croatian, Slovenian, Serbian, Turkish, Korean, Traditional Chinese, Thai, Vietnamese, Japanese, Latvian, Lithuanian, Portuguese (Brazil)

General Function	Anti-flicker, heartbeat, mirror, password protection, watermark, IP address filter
Reset	Reset via reset button on camera body, web browser and client software
Startup and Operating Conditions	-30 °C to +60 °C (-22 °F to +140 °F), Humidity 95% or less (non-condensing)
Storage Conditions	-30 °C to +60 °C (-22 °F to +140 °F), Humidity 95% or less (non-condensing)
Power Supply	-IVSM: 9 to 36 VDC, PoE (36 to 57 VDC, 802.3 af), class 3, reverse polarity protection, two-core molex -IVS: 9 to 36 VDC, PoE (36 to 57 VDC, 802.3 af), class 3, reverse polarity protection, Ø5.5mm coaxial power plug -IVM/ND: PoE (36 to 57 VDC, 802.3 af), class 3, 4-core M12
Power Consumption	-IVSM, -IVS: 24 VDC, 0.31 A, max. 7.4 W, PoE (802.3 af, 36 to 57 VDC), 0.22 A to 0.13 A, max. 7.8 W -IVM/ND: PoE: (802.3af, 36V to 57V), 0.22 A to 0.13 A, max: 7.8W
Material	Metal
Dimensions	Camera: 230 mm × 100 mm × 50 mm (9.1" × 3.9" × 2" ) With package: 280 mm × 135 mm × 135 mm (11" × 5.3" × 5.3")
Weight	Camera: Approx. 640 g (1.4 lb.) With package: 960 g (2.1 lb)
<b>Approval</b>	
EMC	47 CFR Part 15, Subpart B; EN 55032: 2015, EN 61000-3-2: 2014, EN 61000-3-3: 2013, EN 50130-4: 2011 +A1: 2014; AS/NZS CISPR 32: 2015; ICES-003: Issue 6, 2016; KN 32: 2015, KN 35: 2015
Safety	UL 60950-1, IEC 60950-1:2005 + Am 1:2009 + Am 2:2013, EN 60950-1:2005 + Am 1:2009 + Am 2:2013, IS 13252(Part 1):2010+A1:2013+A2:2015
Environment	2011/65/EU, 2012/19/EU, Regulation (EC) No 1907/2006
Protection	Ingress protection: IK08 (IEC 62262:2002), IP66 (IEC 60529-2013)
Automotive and Railway	EN 50155-2017; E-MARK, R118, EN45545, 50121-3-2

## Available Model

DS-2XM6825G0/C-IVSM (2 mm), DS-2XM6825G0/C-IVS (2 mm), DS-2XM6825G0/C-IVM/ND (2 mm)

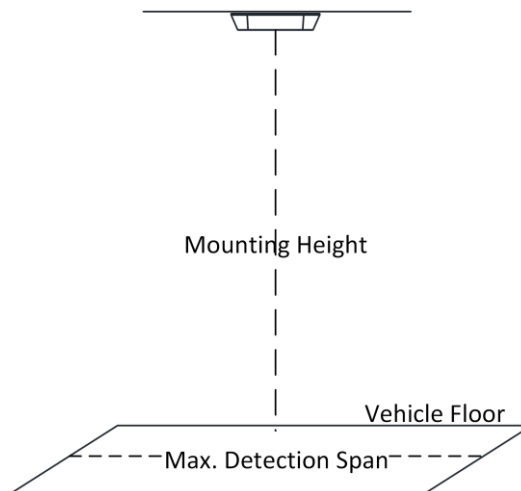
**Dimension**



**Installation Recommendation**

Following table shows the relations among focal length, mounting height, and max. detection span of typical values. For detailed installation advice, please contact the technical support of HIKVISION.

Focal Length (mm)	Mounting Height (m)	Max. Detection Span (m)
2	1.9	0.55
2	2.4	1.93



Distributed by

**HIKVISION®****Headquarters**

No.555 Qianmo Road, Binjiang District,  
Hangzhou 310051, China  
T +86-571-8807-5998  
overseasbusiness@hikvision.com

**Hikvision USA**  
T +1-909-895-0400  
sales.usa@hikvision.com

**Hikvision Australia**  
T +61-2-8599-4233  
salesau@hikvision.com

**Hikvision India**  
T +91-22-28469900  
sales@pramahikvision.com

**Hikvision Canada**  
T +1-866-200-6690  
sales.canada@hikvision.com

**Hikvision Thailand**  
T +662-275-9949  
sales.thailand@hikvision.com

**Hikvision Europe**  
T +31-23-5542770  
sales.eu@hikvision.com

**Hikvision Italy**  
T +39-0438-6902  
info.it@hikvision.com

**Hikvision Brazil**  
T +55 11 3318-0050  
Latam.support@hikvision.com

**Hikvision Turkey**  
T +90 (216)521 7070- 7074  
sales.tr@hikvision.com

**Hikvision Malaysia**  
T +601-7652-2413  
sales.my@hikvision.com

**Hikvision UK & Ireland**  
T +01628-902140  
sales.uk@hikvision.com

**Hikvision South Africa**  
Tel: +27 (10) 0351172  
sale.africa@hikvision.com

**Hikvision France**  
T +33(0)1-85-330-450  
info.fr@hikvision.com

**Hikvision Kazakhstan**  
T +7-727-9730667  
nikia.panfilov@hikvision.ru

**Hikvision Vietnam**  
T +84-974270888  
sales.vt@hikvision.com

**Hikvision UAE**  
T +971-4-4432090  
salesme@hikvision.com

**Hikvision Singapore**  
T +65-6684-4718  
sg@hikvision.com

**Hikvision Spain**  
T +34-91-737-16-55  
info.es@hikvision.com

**Hikvision Tashkent**  
T +99-87-1238-9438  
uzb@hikvision.ru

**Hikvision Hong Kong**  
T +852-2151-1761  
info.hk@hikvision.com

**Hikvision Russia**  
T +7-495-669-67-99  
sateru@hikvision.com

**Hikvision Korea**  
T +82-(0)31-731-8817  
sales.korea@hikvision.com

**Hikvision Poland**  
T +48-22-460-01-50  
info.pl@hikvision.com

**Hikvision Indonesia**  
T +62-21-2933759  
Sales.Indonesia@hikvision.com

**Hikvision Colombia**  
sales.colombia@hikvision.com