

## DS-2XM6425G0/F-C2M 2.0 MP Mobile Covert Camera



### smart IPC

- 1/2.8" Progressive Scan CMOS
- 1920 × 1080 @ 30fps
- 120dB WDR
- 3D DNR
- H.265, H.265+, H.264, H.264+
- Smart encoding: low bit rate, low latency
- Audio in
- Alarm I/O
- ROI
- Built-in Micro SD / SDHC / SDXC card slot, up to 128GB



## Specifications

<b>Camera</b>	
Image Sensor	1/2.8" Progressive Scan CMOS
Min. Illumination	Color: 0.001 Lux @ (F1.2, AGC ON), 0.002 Lux @ (F1.6, AGC ON) B/W: 0.0007 Lux@(F1.2, AGC ON), 0.001 Lux@(F1.6, AGC ON), 0 Lux with IR
Shutter Speed	Channel 1: 1/25 s to 1/100,000 s Channel 2: 1 s to 1/100,000 s
Slow Shutter	Yes (channel 2)
Auto-Iris	No
Day & Night	IR Cut Filter
Digital Noise Reduction	3D DNR
WDR	120 dB
Angle Adjustment	L80 IR Dome Lens: pan: -30 to 30, tilt: 0° to 75° (2 mm 0° to 60°), rotate: -180° to 180° L90 IR Turret Lens: tilt: 0° to 75°, rotate: -180° to 180°
<b>Lens</b>	
Focal length	L32/L90: 2 mm/2.8 mm/4 mm L80: 2 mm/2.8 mm/4 mm/6 mm/8 mm
Focus	No
FOV	L32/L90: 2 mm/2.8 mm/4 mm 2 mm @ F2.0: horizontal FOV 132.8°, vertical FOV 77.5°, diagonal FOV 153° 2.8 mm @ F1.6: horizontal FOV 110.5°, vertical FOV 60°, diagonal FOV 130° 4 mm @ F1.6: horizontal FOV 86°, vertical FOV 45°, diagonal FOV 102° L80: 2 mm/2.8 mm/4 mm/6 mm/8 mm 2 mm @ F2.0: horizontal FOV 132.8°, vertical FOV 77.5°, diagonal FOV 153° 2.8 mm @ F1.6: horizontal FOV 110.5°, vertical FOV 60°, diagonal FOV 130° 4 mm @ F1.6: horizontal FOV 86°, vertical FOV 45°, diagonal FOV 102° 6 mm @ F1.6: horizontal FOV 52.7°, vertical FOV 30.3°, diagonal FOV 60.3° 8 mm @ F1.6: horizontal FOV 40.5°, vertical FOV 22.4°, diagonal FOV 46.8°
Aperture	F1.6, F2.0
Lens Mount	M12
<b>IR</b>	
IR Range	L80/L90: 5 m
Wavelength	850 nm
<b>Compression Standard</b>	
Video Compression	Main stream: H.265/H.264 Sub-stream: H.265/H.264/MJPEG
H.265 Type	Main Profile
H.265+	Main stream support
H.264 Type	Baseline Profile/Main Profile/High Profile
H.264+	Main stream support
Video Bit Rate	32 Kbps to 16 Mbps
Audio Compression	G.711/G.722.1/G.726/MP2L2/PCM
Audio Bit Rate	64Kbps(G.711)/16Kbps(G.722.1)/16Kbps(G.726)/32-192Kbps(MP2L2)
SVC	H.264 and H.265 support
<b>Image</b>	
Max. Resolution	1920 × 1080

Main Stream	50Hz: 25fps (1920 × 1080, 1280 × 960, 1280 × 720) 60Hz: 30fps (1920 × 1080, 1280 × 960, 1280 × 720)
Sub Stream	50Hz: 25fps (704 × 576, 640 × 480) 60Hz: 30fps (704 × 480, 640 × 480)
Image Enhancement	BLC, HLC, 3D DNR, Defog, EIS
Image Settings	Rotate mode, saturation, brightness, contrast, sharpness, AGC, white balance adjustable by client software or web browser
Target Cropping	No
Day/Night Switch	Day/Night/Auto/Schedule/Triggered by Alarm in
Picture Overlay	LOGO picture can be overlaid on video with 128 × 128 24bit bmp format
<b>Network</b>	
Network Storage	Micro SD/SDHC/SDXC card (128G), local storage and NAS (NFS,SMB/CIFS), ANR
Alarm Trigger	Motion detection, video tampering alarm, network disconnected, IP address conflict, illegal login, HDD full, HDD error
Protocols	TCP/IP, ICMP, HTTP, HTTPS, FTP, DHCP, DNS, DDNS, RTP, RTSP, RTCP, PPPoE, NTP, UPnP, SMTP, SNMP, IGMP, 802.1X, QoS, IPv6, UDP, Bonjour
General Function	One-key reset, anti-flicker, heartbeat, mirror, password protection, privacy mask, watermark, IP address filter
Firmware Version	V5.5.42
API	ONVIF (PROFILE S, PROFILE G), CGI, ISAPI
Simultaneous Live View	Up to 20 channels
User/Host	Up to 32 users 3 levels: Administrator, Operator and User
Client	iVMS-4200, iVMS-4500, iVMS-5200, Hik-Connect
Web Browser	IE8+, Chrome 41.0-44, Firefox 30.0-51, Safari 8.0-11
<b>Interface</b>	
Audio	1 input (line in), 1 output (line out), mono sound
Alarm	2 inputs, 2 outputs (up to 12 VDC, 30mA)
Communication Interface	RS485, built-in RS232, 1 10M/100M Ethernet port
On-board storage	Built-in micro SD/SDHC/SDXC slot, up to 128 GB
Reset Button	Yes
<b>Audio</b>	
Environment Noise Filtering	Yes
Audio Sampling Rate	8kHz/16kHz/32kHz/44.1kHz/48kHz
<b>General</b>	
Operating Conditions	-30 °C to 60 °C (-22 °F to 140 °F), humidity 5% to 95% or less (non-condensing)
Power Supply	8 VDC to 36 VDC, two-core aviation plug, aviation plug adapter cable to 3.5 mm power, *M8 PoE (802.3at, class4)
Power Consumption and Current	24 VDC, 0.7 A, max. 15 W, 8-36 VDC PoE (802.3at, 42.5 V to 57 V), 0.4 A to 0.3 A, max. 16 W
Protection Level	L80: IP66, IK10 L32: IP66 (2 mm: No)
Material	Metal
Dimensions	Main body: 135 × 107.8 × 30.4 mm (5.3" × 4.3" × 1.2")
Weight	Main body: approx. 450 g (1 lb.) With package: approx. 920 g (2 lb.)

\* If you use RJ45 cable, NVR cannot supply power through PoE.

## Available Model

DS-2XM6425G0/F-C2M

DS-2XM6425G0/F-L32(2/2.8/4 mm) 2 m or 8 m cable optional

DS-2XM6425G0/F-L90(2/2.8/4 mm) 2 m or 8 m cable optional

DS-2XM6425G0/F-L80(2/2.8/4/6/8 mm) 2 m or 8 m cable optional



L32



L80



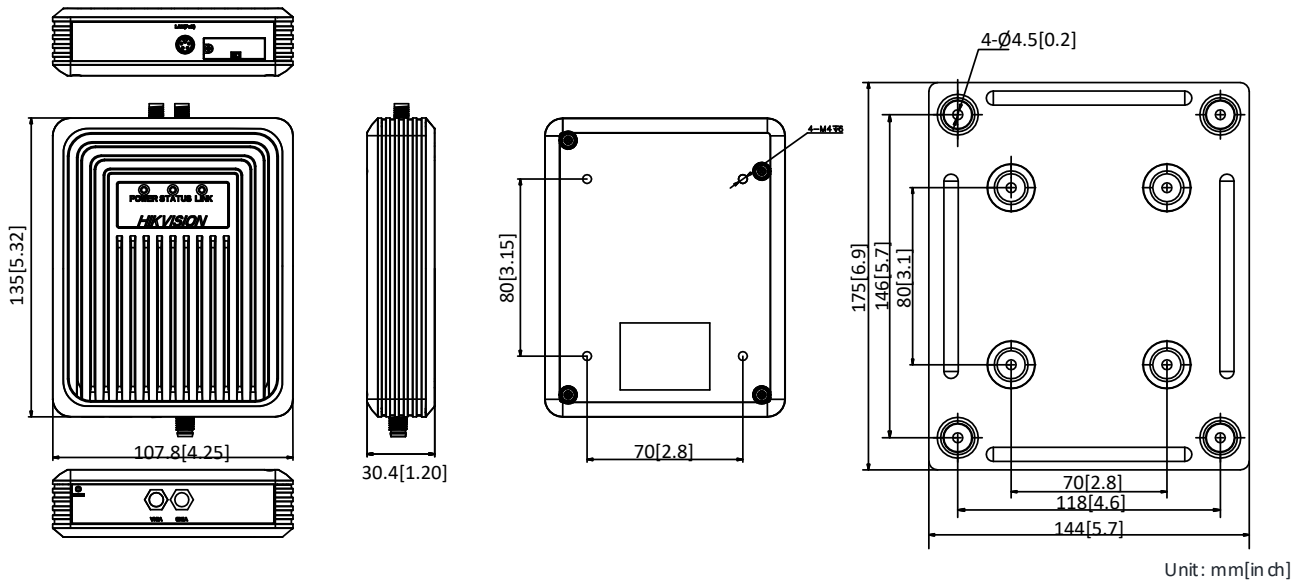
L90 (2.0mm)



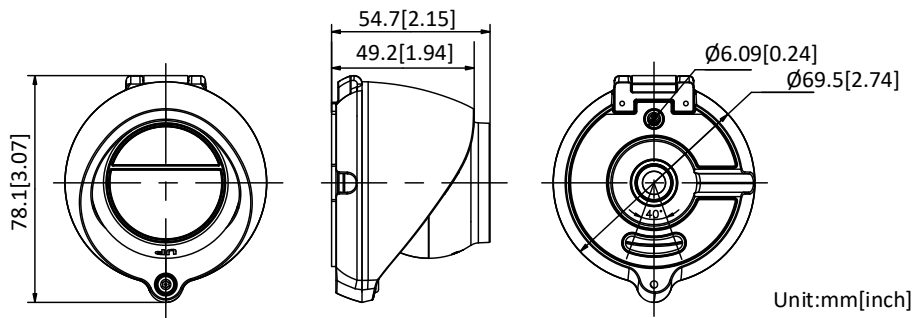
L90 (2.8mm, 4mm)

## Dimension

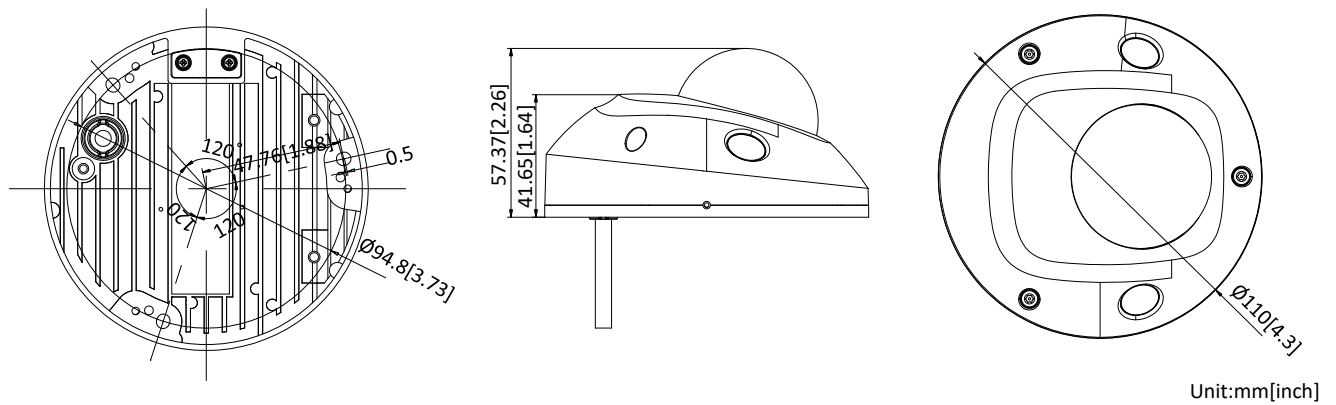
Main body:



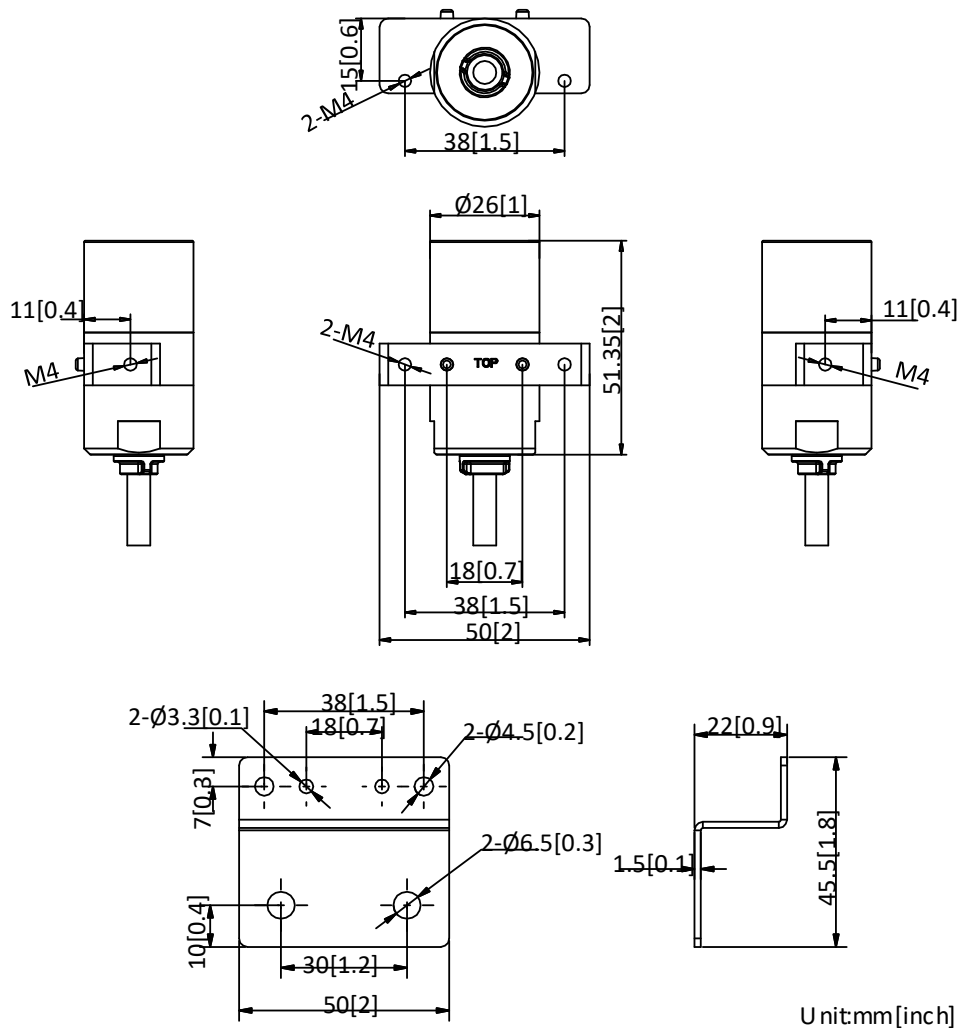
L90:



L80:



L32:



Distributed by

**HIKVISION®****Headquarters**

No.555 Qianmo Road, Binjiang District,  
Hangzhou 310051, China  
T +86-571-8807-5998  
overseasbusiness@hikvision.com

**Hikvision USA**  
T +1-909-895-0400  
sales.usa@hikvision.com

**Hikvision Australia**  
T +61-2-8599-4233  
salesau@hikvision.com

**Hikvision India**  
T +91-22-28469900  
sales@pramahikvision.com

**Hikvision Canada**  
T +1-866-200-6690  
sales.canada@hikvision.com

**Hikvision Thailand**  
T +662-275-9949  
sales.thailand@hikvision.com

**Hikvision Europe**  
T +31-23-5542770  
sales.eu@hikvision.com

**Hikvision Italy**  
T +39-0438-6902  
info.it@hikvision.com

**Hikvision Brazil**  
T +55 11 3318-0050  
Latam.support@hikvision.com

**Hikvision Turkey**  
T +90 (216)521 7070- 7074  
sales.tr@hikvision.com

**Hikvision Malaysia**  
T +601-7652-2413  
sales.my@hikvision.com

**Hikvision UK & Ireland**  
T +01628-902140  
sales.uk@hikvision.com

**Hikvision South Africa**  
Tel: +27 (10) 0351172  
sale.africa@hikvision.com

**Hikvision France**  
T +33(0)1-85-330-450  
info.fr@hikvision.com

**Hikvision Kazakhstan**  
T +7-727-9730667  
nikia.panfilov@hikvision.ru

**Hikvision Vietnam**  
T +84-974270888  
sales.vt@hikvision.com

**Hikvision UAE**  
T +971-4-4432090  
salesme@hikvision.com

**Hikvision Singapore**  
T +65-6684-4718  
sg@hikvision.com

**Hikvision Spain**  
T +34-91-737-16-55  
info.es@hikvision.com

**Hikvision Tashkent**  
T +99-87-1238-9438  
uzb@hikvision.ru

**Hikvision Hong Kong**  
T +852-2151-1761  
info.hk@hikvision.com

**Hikvision Russia**  
T +7-495-669-67-99  
sateru@hikvision.com

**Hikvision Korea**  
T +82-(0)31-731-8817  
sales.korea@hikvision.com

**Hikvision Poland**  
T +48-22-460-01-50  
info.pl@hikvision.com

**Hikvision Indonesia**  
T +62-21-2933759  
Sales.Indonesia@hikvision.com

**Hikvision Colombia**  
sales.colombia@hikvision.com