

## COMMUNICATION

issued by: **Road traffic safety directorate**

concerning<sup>1</sup>: **APPROVAL GRANTED**  
~~APPROVAL EXTENDED~~  
~~APPROVAL REFUSED~~  
~~APPROVAL WITHDRAWN~~  
~~PRODUCTION DEFINITELY DISCONTINUED~~

of a component type pursuant to Regulation No. 118

Approval No. **E32\*118RII03/01\*0050\*00**

Extension No.

Reason for extension: **Not applicable**

## Section I

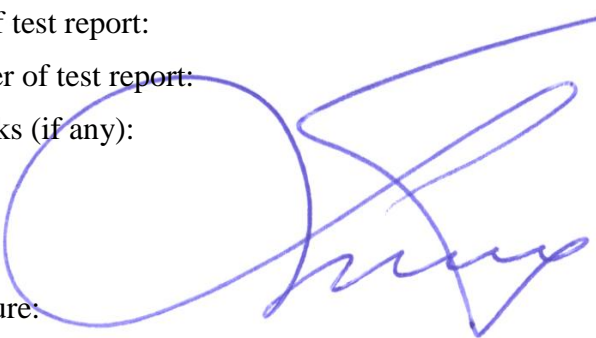
## General

- 1.1. Make (trade name of manufacturer): **HIKVISION**
- 1.2. Type: **DS-2XM6425**
- 1.3. Means of identification of type, if marked on the device<sup>b</sup>: **Not applicable**
- 1.3.1. Location of that marking: **Not applicable**
- 1.4. Name and address of manufacturer: **Hangzhou Hikvision Digital Technology Co., Ltd.**  
**No.555 Qianmo Road, Binjiang District,**  
**Hangzhou City, Zhejiang Province,**  
**P.R. China**
- 1.5. Location of the approval mark: **Sticker on the camera**
- 1.6. Address(es) of assembly plant(s): **Hangzhou Hikvision Digital Technology Co., Ltd.**  
**No.555 Qianmo Road, Binjiang District,**  
**Hangzhou City, Zhejiang Province,**  
**P.R. China**

<sup>1</sup> Strike out what does not apply (there are cases where nothing needs to be deleted, when more than one entry is applicable)

<sup>b</sup> If the means of identification of type contains characters not relevant to describe the vehicle, component or separate technical unit types covered in this information document, such characters shall be represented in the documentation by the symbol “?” (e.g. ABC??123??).

## Section II

1. Additional information (where applicable): **See Appendix 1**
2. Technical Service responsible for carrying out the tests: **TŪV Rheinland-KTI Ltd.**
3. Date of test report: **12.12.2019**
4. Number of test report: **87-R118-1866/19-00**
5. Remarks (if any): **Not applicable**
6. Place: **6, S.Eizensteina St., Riga  
LV-1079, Latvia**
7. Date: **06.01.2020**
8. Signature:  **Jānis Liepiņš**
9. The index to the information package lodged with the Type Approval Authority, which may be obtained on request, is attached.



Attachments: Information package. **DS-2XM6425-R118-00**  
Test report. **87-R118-1866/19-00, 23.09.2019**

## Appendix 1

### Appendix to type approval communication form No. E32\*118R1103/01\*0050\*00 concerning the type approval of a component type pursuant to Regulation No. 118

1. Additional information.
  - 1.1. Interior materials
    - 1.1.1. The direction which the component may be installed: **Not applicable**
    - 1.1.2. Fulfils the requirements in paragraph 6.2.2.: ~~yes~~/**not applicable**<sup>1</sup>
    - 1.1.3. Compliance has been checked for components approved as completed devices: ~~yes~~/**no**<sup>1</sup>
    - 1.1.4. Any restrictions of use and installation requirements: **Not applicable**
  - 1.2. Insulation materials
    - 1.2.1. The direction which the component may be installed: **Not applicable**
    - 1.2.2. Compliance has been checked for components approved as complete devices: ~~yes~~/**no**<sup>1</sup>
    - 1.2.3. Any restrictions of use and installation requirements: **Not applicable**
  - 1.3. Electric cables
    - 1.3.1. Any restrictions of use and installation requirements: **No**
2. Remarks: **Camera with electrical cable**



---

<sup>1</sup> Strike out what does not apply.

**uniform provisions concerning the  
burning behaviour and/or the capability to repel fuel or lubricant of materials used in the con-  
struction of certain categories of motor vehicles**

**Part II**

**UN-Regulation No. 118  
Amend. 03, Suppl. 1**



**INFORMATION DOCUMENT**

Doc. No.: DS-2XM6425-R118-00

Issue Date: November 30, 2019

**HIKVISION**

Manufacturer : Hangzhou Hikvision Digital Technology Co., Ltd.

Type : DS-2XM6425

**AMENDMENT**

Version	Approval No.	Modification / Correction	Date
00	---	First application	November 30, 2019

**CONTENT**

1 General.....3

2 Interior materials.....3

3 Insulation materials.....3

4 Electric Cables.....3

Annex 1 Drawing of Cable.....4

Annex 2 Specification of cable.....6

Annex 3 Drawing of product.....11

Annex 4 Assembly of product and material list.....18



**HIKVISION**

Manufacturer : Hangzhou Hikvision Digital Technology Co., Ltd.

Type : DS-2XM6425

- 1 General
  - 1.1 Make (trade name of manufacturer) : HIKVISION
  - 1.2 Type and general commercial descriptions : Type: DS-2XM6425  
Commercial descriptions:  
DS-2XM6425G0/F-IM91/ND,  
DS-2XM6425G0/F-IM81/ND,  
DS-2XM6425G0/F-M31/ND,  
DS-2XM6425G0/F-IM81,  
DS-2XM6425G0/F-IM91,  
DS-2XM6425G0/F-M31
  - 1.3 Name and address of manufacturer : Hangzhou Hikvision Digital Technology Co., Ltd.  
No.555 Qianmo Road, Binjiang District,  
Hangzhou City, Zhejiang Province, China
  - 1.4 In the case of components and separate technical units, location and method of affixing of the UN approval mark: : Stick on the camera
  - 1.5 Name(s) and address(es) of assembly plant(s) : Same as 1.3
- 2. Interior materials : Not applicable
- 3. Insulation Materials : Not applicable
- 4. Electric Cables
  - 4.1. Material(s) used for : Camera
  - 4.2. Base material(s)/designation : See Annex 1 and Annex 2
  - 4.3. Composite/single material, number of layers : See Annex 2
  - 4.4. Type of coating : Not applicable
  - 4.5. Maximum/minimum thickness : See Annex 2
  - 4.6. Type approval number, if available : Not applicable



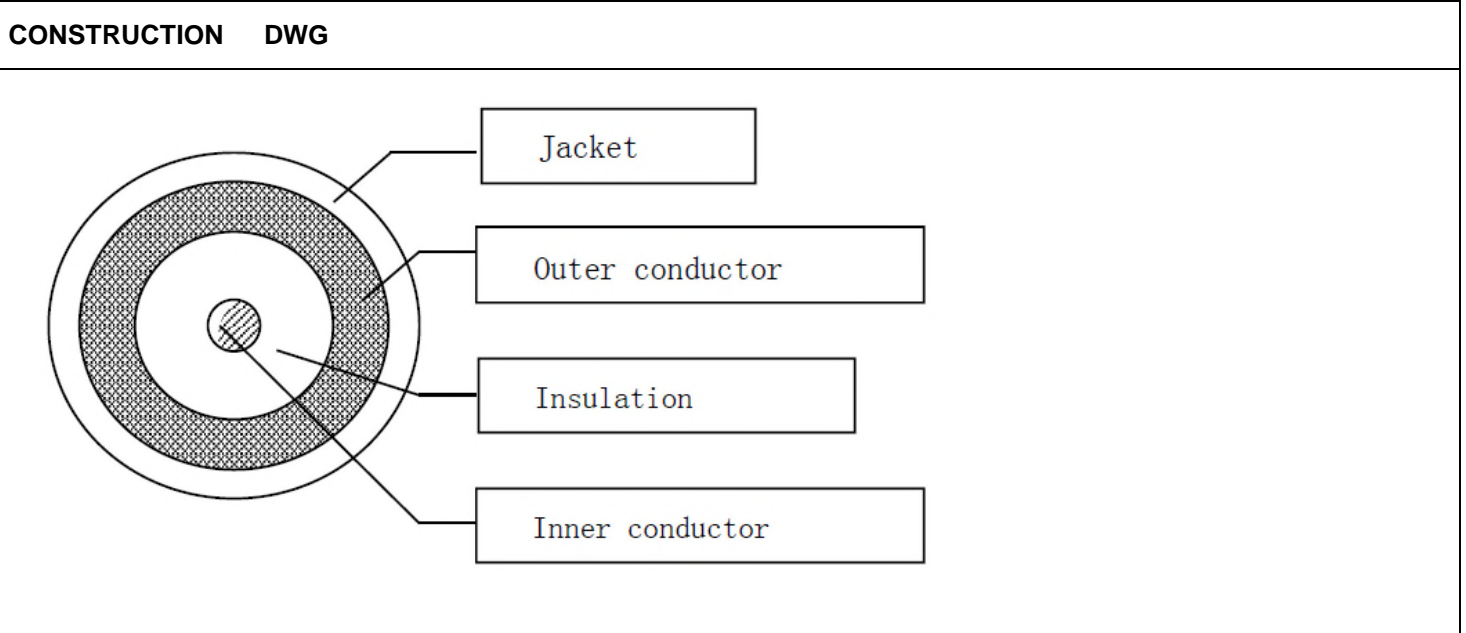
HIKVISION

Manufacturer : Hangzhou Hikvision Digital Technology Co., Ltd.

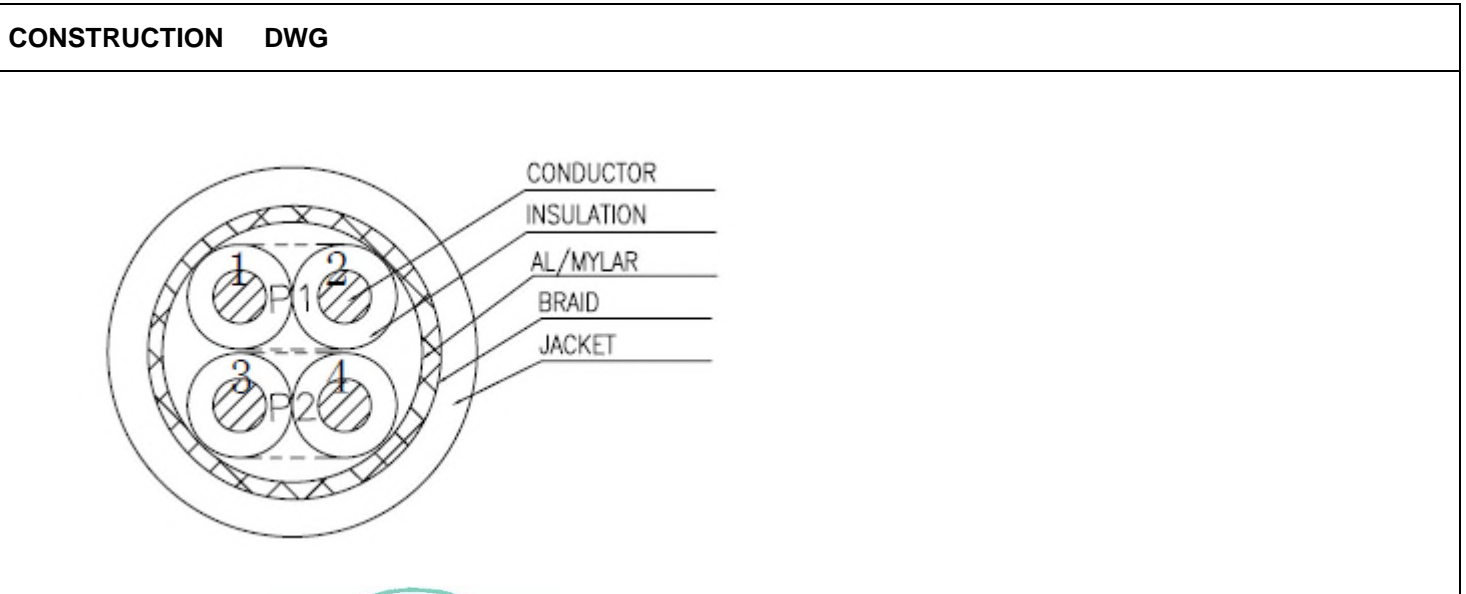
Type : DS-2XM6425

Annex 1 Drawing of Cable

Variant 1: RG178/P-SC-FEP+PVC



Variant 2: UL CAT5e 24AWG\*2P+AB OD:6.0MM BLACK(RAL9011)



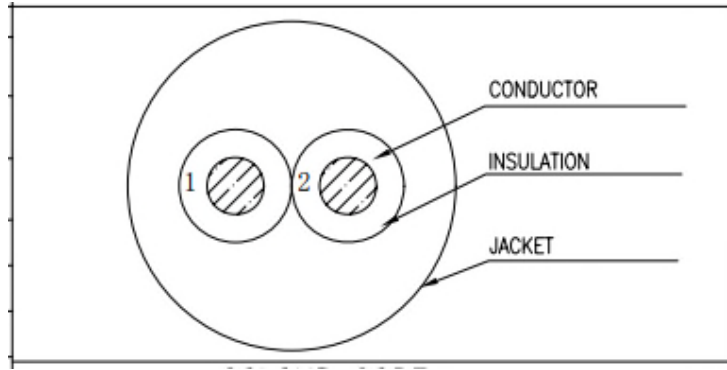
**HIKVISION**

Manufacturer : Hangzhou Hikvision Digital Technology Co., Ltd.

Type : DS-2XM6425

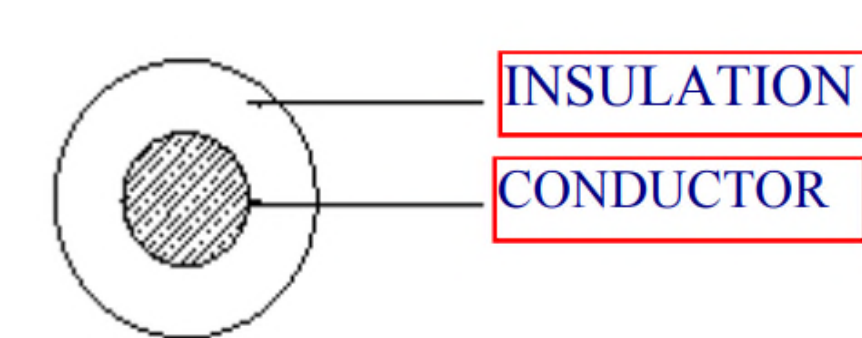
**Variant 3: UL2464 24AWG\*2C OD3.8mm BLACK**

**CONSTRUCTION DWG**



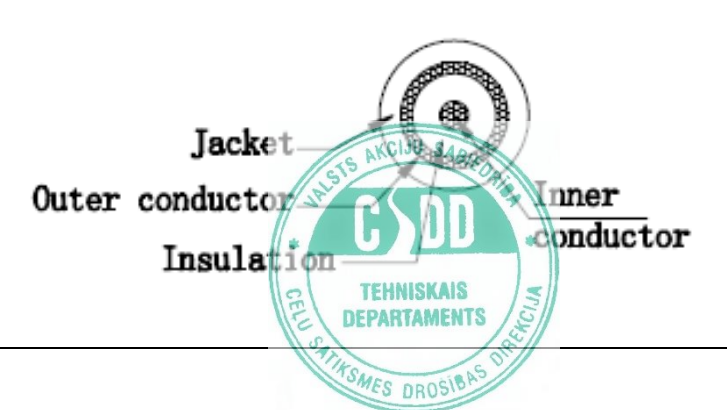
**Variant 4: UL1007 22AWG OD1.6mm**

**CONSTRUCTION DWG**



**Variant 5: LMR-195**

**CONSTRUCTION DWG**





**HIKVISION**

Manufacturer : Hangzhou Hikvision Digital Technology Co., Ltd.

Type : DS-2XM6425

**Annex 2 Specification of cable**

Variant 1: RG178/P-SC-FEP+PVC

Item	NO	Materials and size	
Inner conductor	Material	/	Silver plated copper wire
	Composition	mm	7/0.102±0.003
	OD	mm	Φ0.30
Insulation	Material	/	Teflon FEP(200 degrees of fluorinated ethylene propylene resin)
	Thickness	mm	0.30
	OD	mm	Φ0.90±0.05
	Color	/	transparent color
Outer conductor	Material	/	Silver plated copper wire
	Form	/	Weave
	Density	%	92%(18order ( Mesh ) ; 48Edit ( Coding 3*16/0.10))
	OD	mm	Φ1.30±0.08
Jacket (1)	Material	/	PVC
	Thickness	mm	0.25
	OD	mm	Φ1.90±0.05
	color of sheath	/	black
Jacket (2)	Material	/	PVC
	Thickness	mm	1.05
	OD	mm	Φ4.0±0.1
	color of sheath	/	black



**INFORMATION DOCUMENT**

Doc. No.: DS-2XM6425-R118-00

Issue Date: November 30, 2019

**HIKVISION**

Manufacturer : Hangzhou Hikvision Digital Technology Co., Ltd.

Type : DS-2XM6425

Variant 2: UL CAT5e 24AWG\*2P+AB OD:6.0MM BLACK(RAL9011)

		NON-UL CAT5e 24AWG*2P+AB OD:6.0MM BLACK(RAL9011)
ITEM		24AWG*2P
CONDUCTOR	AWG.	24AWG
	MATERIAL	TC
	COND.SIZE	7/0.20±0.008MM
INSULATION	MATERIAL	HD-PE
	Min AVG.THICK	0.25
	I.D	1.35±0.08MM
	COLOR	P1: 1.white/orange & 2.orange P2: 3.white/green & 4.green
TWIST	Lay Erection&lay pitch	P1:S=12±3mm P2:S=14±3mm
AL foil	SIZE	AL foil
	COVERAGE	MIN 25% &100%
BRAID	MATERIAL	TC
	COND.SIZE	16/12/0.10±0.008MM
	COVERAGE	95% Min
JACKET	MATERIAL	PVC
	MIN AVG.THICK	0.6
	O.D	6.0±0.20MM
	COLOR	BLACK(RAL9011)/HALF MATTE
MARKING:		



**INFORMATION DOCUMENT**

Doc. No.: DS-2XM6425-R118-00


Issue Date: November 30, 2019

**HIKVISION**

Manufacturer : Hangzhou Hikvision Digital Technology Co., Ltd.

Type : DS-2XM6425

Variant 3: UL2464 24AWG\*2C OD3.8mm BLACK

		UL2464 24AWG*2C OD:3.80MM BLACK
ITEM		SPECIFICATION
CONDUCTOR	AWG.	24AWG
	MATERIAL	TC
	COND.SIZE	7/0.20±0.008MM
INSULATION	MATERIAL	SR-PVC
	AVG.THICK	0.23 REF.
	I.D	1.10±0.08MM
	COLOR	1.RED 2.BLACK
	ND.	2C
JACKET	MATERIAL	PVC
	AVG.THICK	0.76 REF.
	O.D	3.80±0.20MM
	COLOR	BLACK(RAL9011)/HALF MATTE
MARKING:		
 AWM E314998 STYLE 2464 VW-1 80°C 300V 24AWG DERONXIN		



INFORMATION DOCUMENT

Doc. No.: DS-2XM6425-R118-00

Issue Date: November 30, 2019

**HIKVISION**

Manufacturer : Hangzhou Hikvision Digital Technology Co., Ltd.

Type : DS-2XM6425

Variant 4: UL1007 22AWG OD1.6mm

STYLE	80°C 300V PVC INSULATED HOOK-UP WIRE	DOCUMENT NO.	
SIZE	1007 22AWG	ESTBLISHED DATE	2019-8-1
STANDARD: UL758&UL1581			
APPLICATION:INTERNAL WIRING OF ELECTRONIC EQUIPMENT.			
CONSTRUCTION:			
CONDUCTOR 导体	SIZE 规格	22AWG	
	CONSTRUCTION 构成	17/0.16TS	
	TOLERN(mm) 公差	±0.008	
	LAY OF STANDS(mm) 绞距	S 20 ↓	
	RESISTANCE (Ω/Km/20℃)导体电阻	55 ↓	
	DIAMETER.(mm) 直径	0.76	
INSULATION 绝缘	MATERIAL 材料	PVC	
	AVG. THICK.(mm) 平均厚度	0.38	
	MIN. THICK.(mm) 最小厚度	0.33	
	DIAM.(mm) 直径	1.6±0.05	
	COLOR 颜色	OPTIONAL	



**HIKVISION**

Manufacturer : Hangzhou Hikvision Digital Technology Co., Ltd.

Type : DS-2XM6425

Variant 5: LMR-195

## Radio Frequency Coaxial Cable for Communication

### Structure size (mm)

Structure	LMR-195
Inner conductor	0.94 (copper)
insulation	2.80 (PE)
Outer conductor	3.53 (Tinned copper)
cover layer	4.95 (Black PVC)

### Performance

Item	LMR-195	
Minimum bending radius (repeatedly) mm	12.7	
Minimum bending radius (once) mm	25.4	
Compressive force kg/mm <sup>2</sup>	0.27	
Maximum pull kg	18.2	
Dc resistance Ω/km	Inner conductor	24.94
	Outer conductor	16.08
Insulation resistance MΩ?km	5000	
Dielectric strength kV	1.6	
Rate %	80	
Peak rated power kW	2.5	
Cut-off frequency GHz	41	
Characteristic impedance Ω	50	
V. S. W. R (working frequency)	≤1.2	



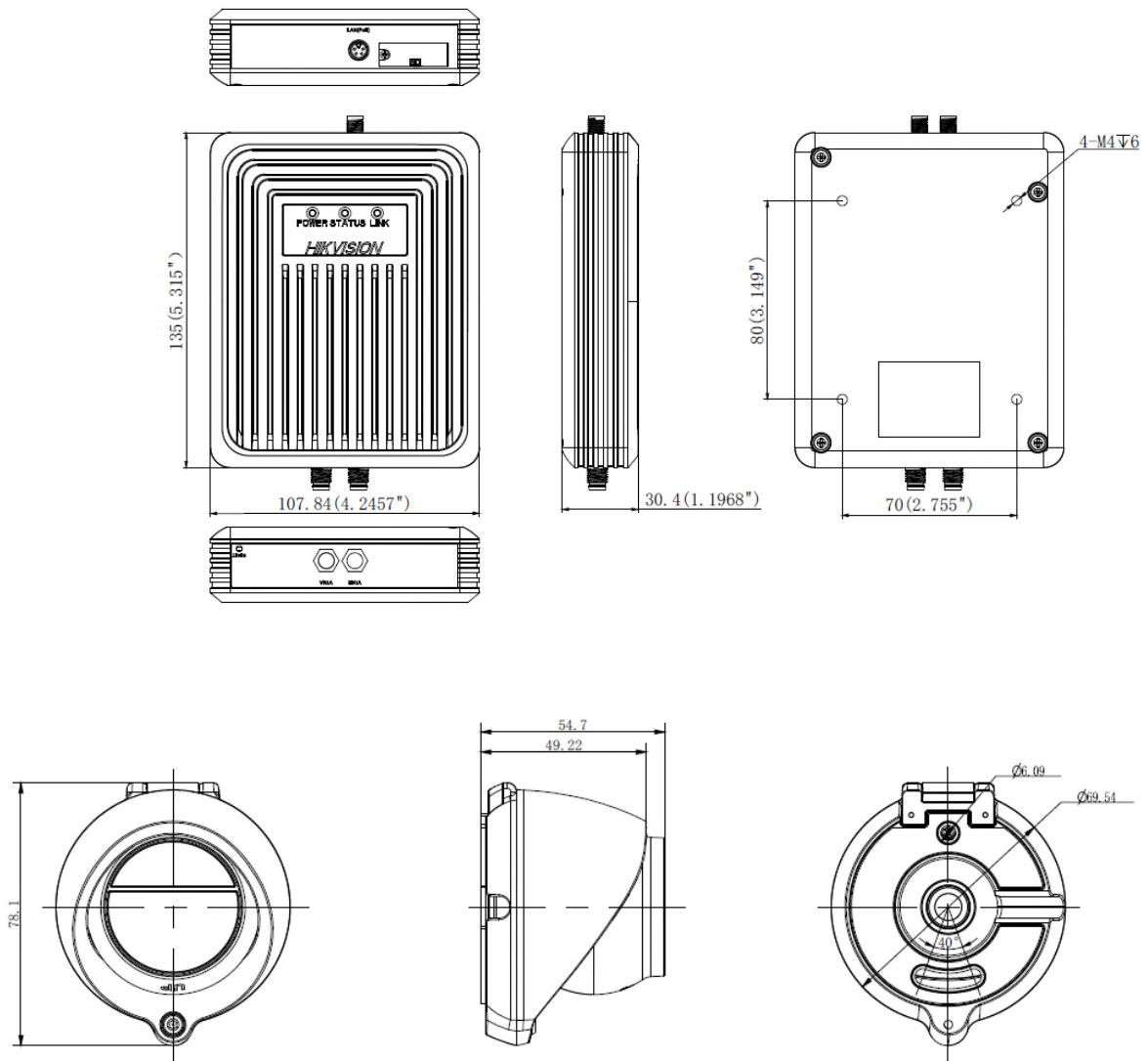
**HIKVISION**

Manufacturer : Hangzhou Hikvision Digital Technology Co., Ltd.

Type : DS-2XM6425

**Annex 3 Drawing of product**

DS-2XM6425G0/F-IM91/ND



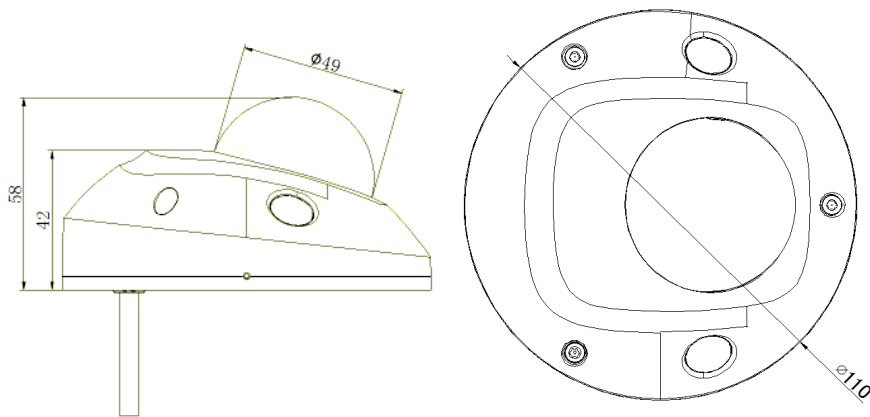
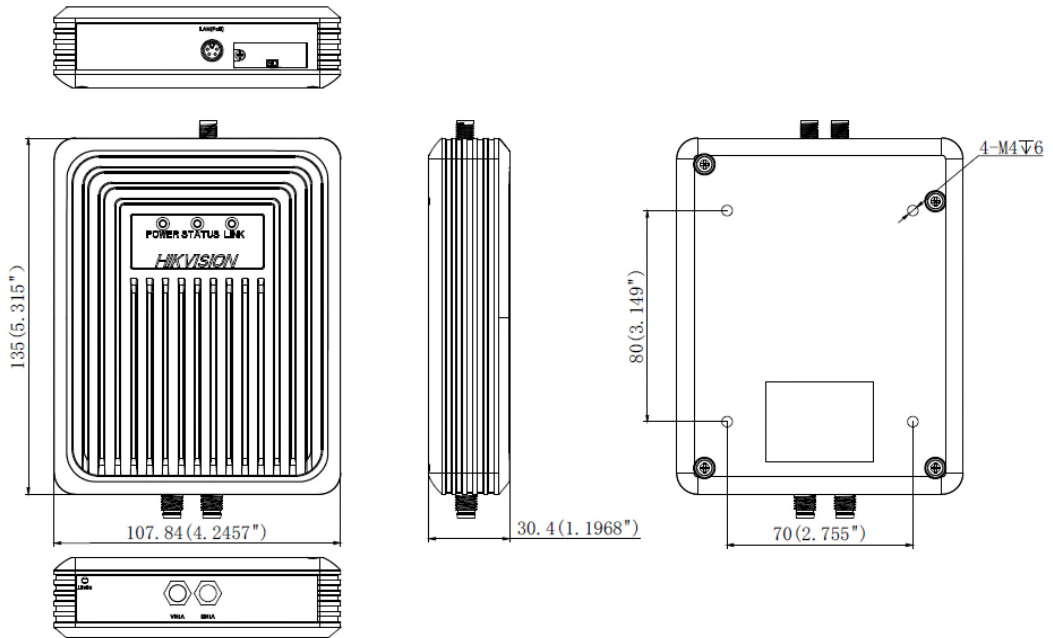


**HIKVISION**

Manufacturer : Hangzhou Hikvision Digital Technology Co., Ltd.

Type : DS-2XM6425

DS-2XM625G0/F-IM81/ND



INFORMATION DOCUMENT

Doc. No.: DS-2XM6425-R118-00

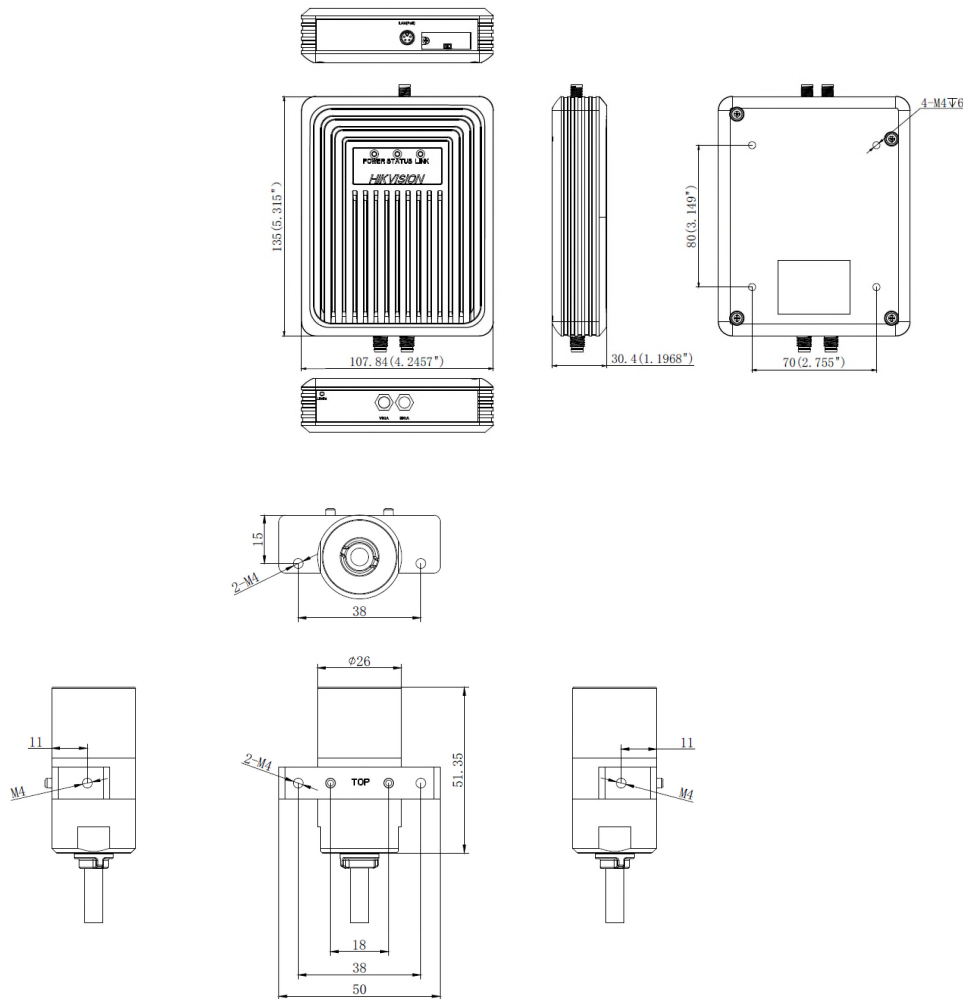
Issue Date: November 30, 2019

HIKVISION

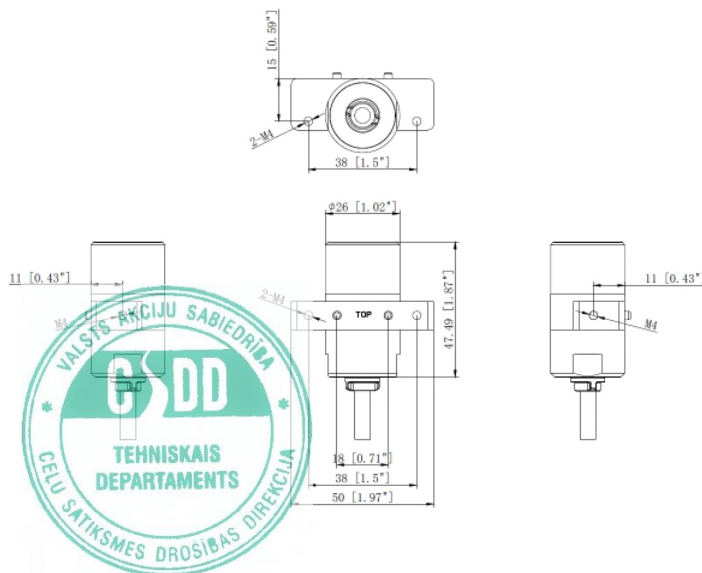
Manufacturer : Hangzhou Hikvision Digital Technology Co., Ltd.

Type : DS-2XM6425

DS-2XM6425G0/F-M31/ND



DS-2XM6425G0/F-M31/ND(2.8mm/4mm)



DS-2XM6425G0/F-M31/ND(2mm)

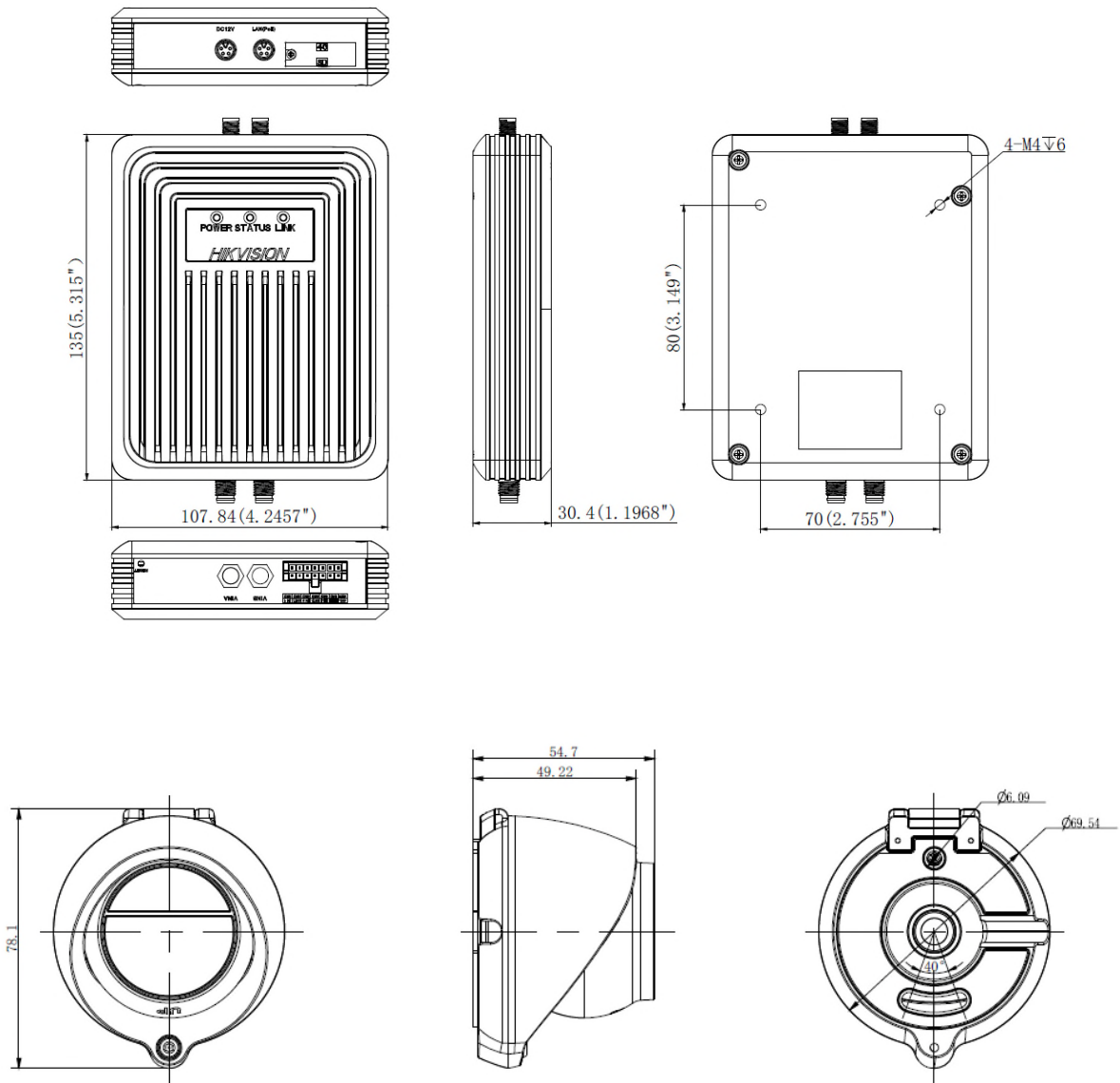


**HIKVISION**

Manufacturer : Hangzhou Hikvision Digital Technology Co., Ltd.

Type : DS-2XM6425

DS-2XM6425G0/F-IM91

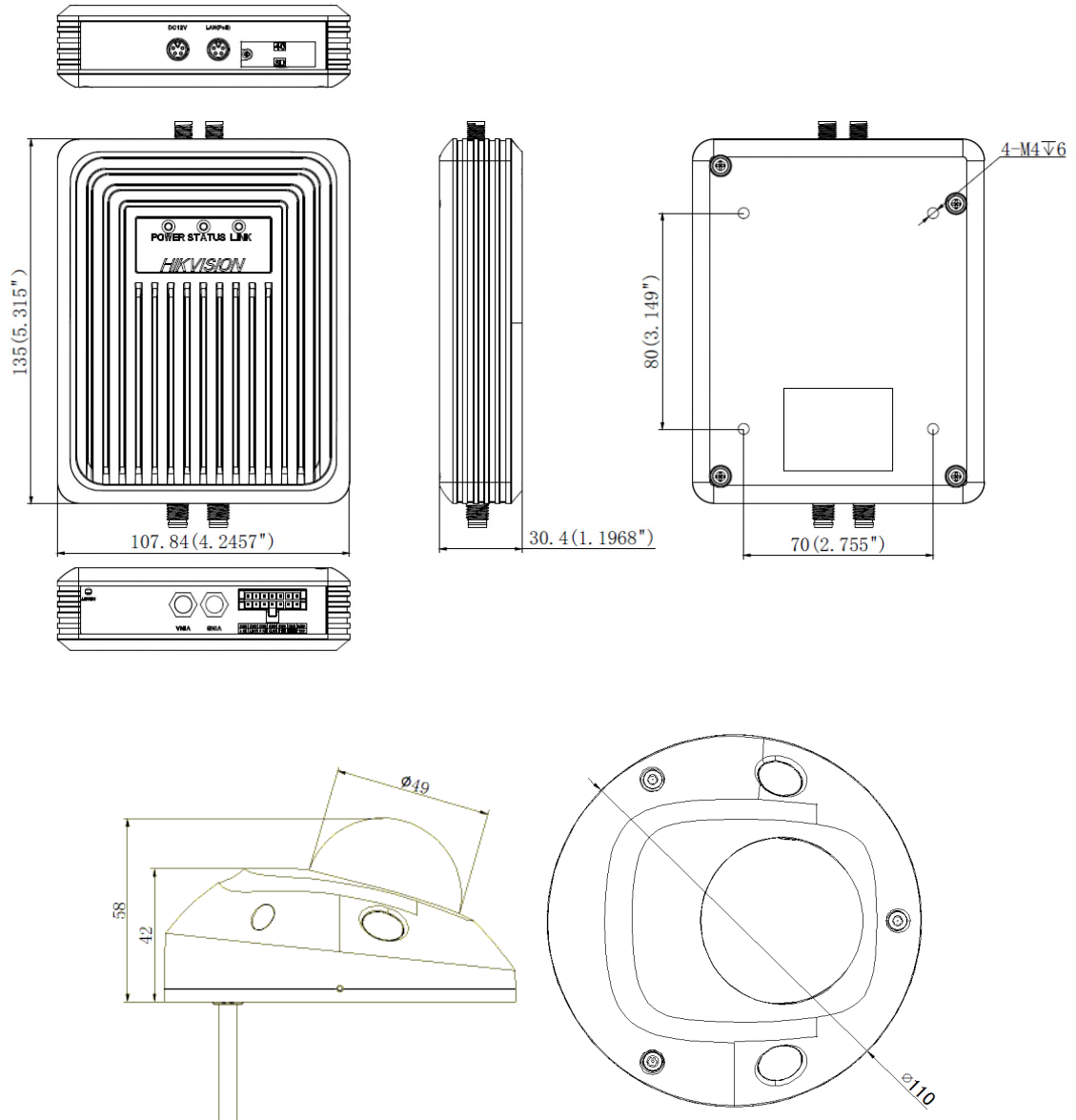


HIKVISION

Manufacturer : Hangzhou Hikvision Digital Technology Co., Ltd.

Type : DS-2XM6425

DS-2XM6425G0/F-IM81

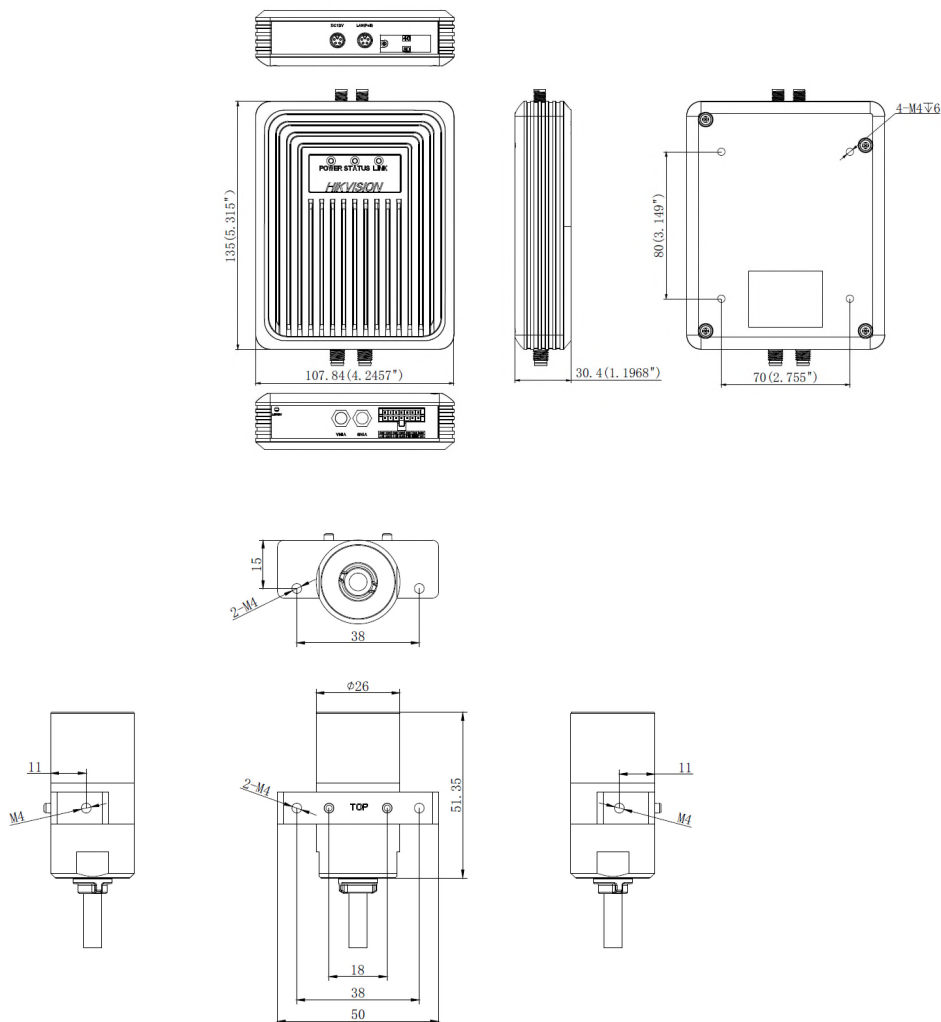


**HIKVISION**

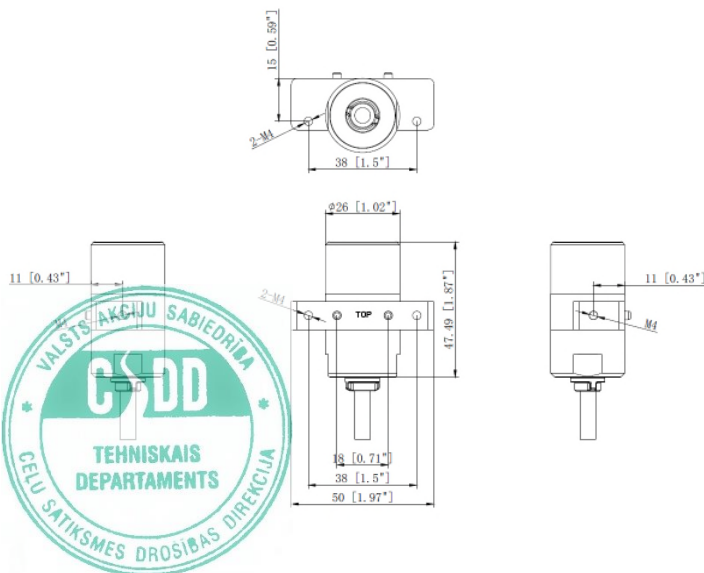
Manufacturer : Hangzhou Hikvision Digital Technology Co., Ltd.

Type : DS-2XM6425

DS-2XM6425G0/F-M31



DS-2XM6425G0/F-M31(2.8mm/4mm)



DS-2XM6425G0/F-M31(2mm)



HIKVISION

Manufacturer : Hangzhou Hikvision Digital Technology Co., Ltd.

Type : DS-2XM6425

HIKVISION

NETWORK CAMERA

Model: DS-2XM63X5G0-IVM/ND

SN: SV:



IP: PoE(802.3af,36-57V)=0.25-0.15A,9W

MAC Address: 58:03:FB:2F:FF:FE

Manufacturer: Hangzhou Hikvision Digital Technology Co.,Ltd.

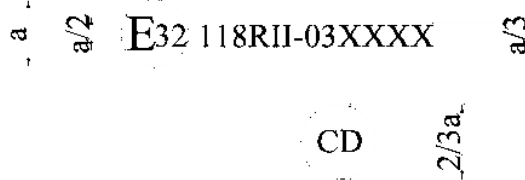
Address: No.555 Qianmo Road, Binjiang District, Hangzhou 310052, China



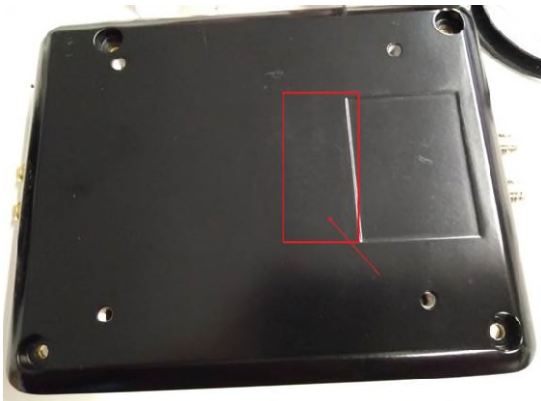
Made in China



### E mark Convention



Location of approval mark: Stick on the camera



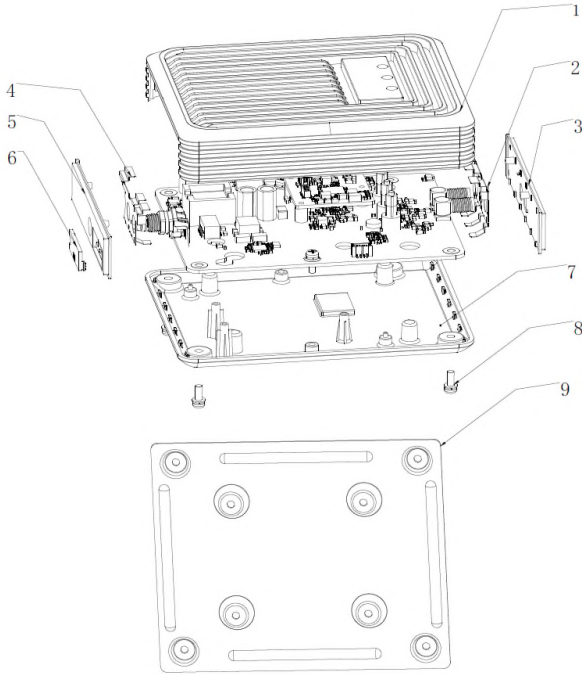
**HIKVISION**

Manufacturer : Hangzhou Hikvision Digital Technology Co., Ltd.

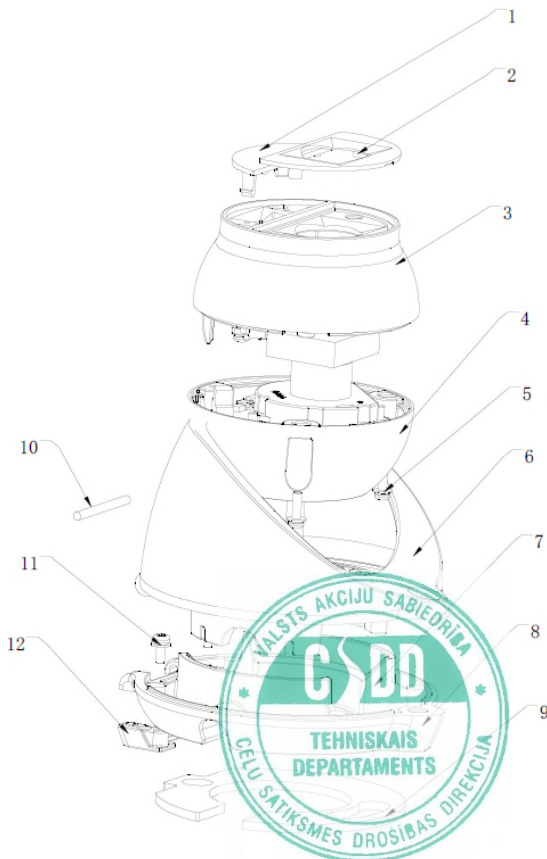
Type : DS-2XM6425

**Annex 4 Assembly of product and material list**

DS-2XM6425G0/F-IM91/ND



No.	Name	Material	Quantity
1	Host cover 2 (vehicle)	ADC12(铝材)	1
2	Metal piece 9(Railway)	Beryllium copper (铍铜)	1
3	Baffle 9 (Railway)	PC+ABS	1
4	Metal piece 8(Railway)	Beryllium copper (铍铜)	1
5	Baffle 8 (Railway)	PC+ABS	1
6	Little plate1	PC+10%GF	1
7	Host cover 3 (vehicle)	ADC12(铝材)	1
8	Screw	SUS304	4
9	Main Body Bracket	SECC	1



No.	Name	Material	Quantity
1	IR Transmission Plate(L90)	PC	1
2	Camera Trim Cover (L90)	PC	1
3	Camera Upper Ball 2 (L90)	ADC12	1
4	Camera Lower Ball (L90)	ADC12	1
5	Screw	Carbon steel	3
6	Fixed cover	ADC12	1
7	Supporting silica gel	Silica gel	2
8	Base	ADC12	1
9	Shock Pad of Base Plate	Silica gel	1
10	Rotating shaft	SUS304	1
11	Screw	Carbon steel	2
12	Rotating shaft gland	Zinc alloy(锌合金)	1

# INFORMATION DOCUMENT

Doc. No.: DS-2XM6425-R118-00

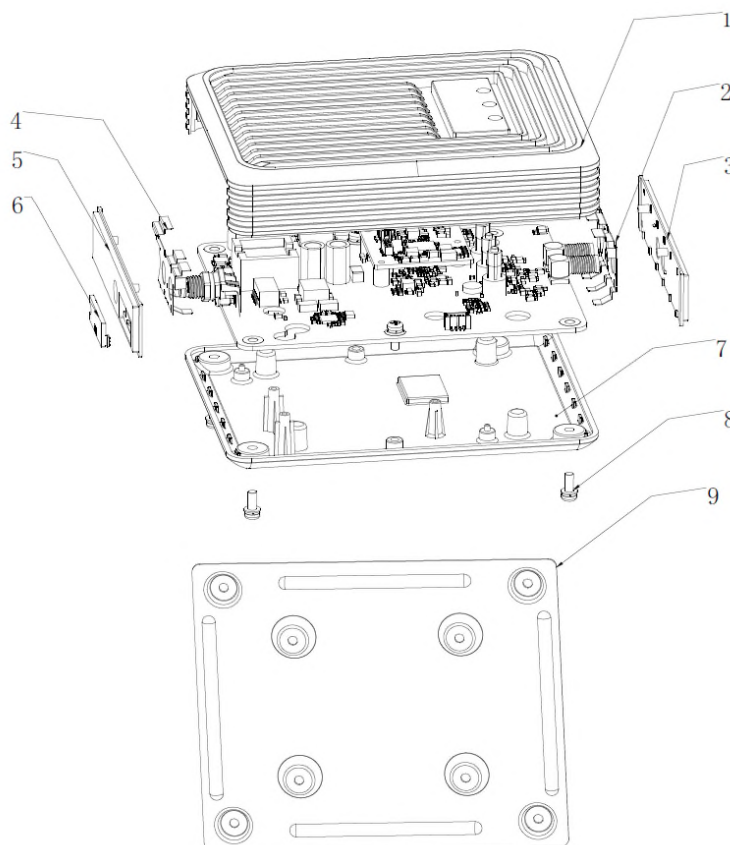
Issue Date: November 30, 2019

**HIKVISION**

Manufacturer : Hangzhou Hikvision Digital Technology Co., Ltd.

Type : DS-2XM6425

DS-2XM6425G0/F-IM81/ND



No.	Name	Material	Quantity
1	Host cover 2 (vehicle)	ADC12(铝材)	1
2	Metal piece 9(Railway)	Beryllium copper (镀铜)	1
3	Baffle 9 (Railway)	PC+ABS	1
4	Metal piece 8(Railway)	Beryllium copper (镀铜)	1
5	Baffle 8 (Railway)	PC+ABS	1
6	Little plate1	PC+10%GF	1
7	Host cover 3 (vehicle)	ADC12(铝材)	1
8	Screw	SUS304	4
9	Main Body Bracket	SECC	1





## INFORMATION DOCUMENT

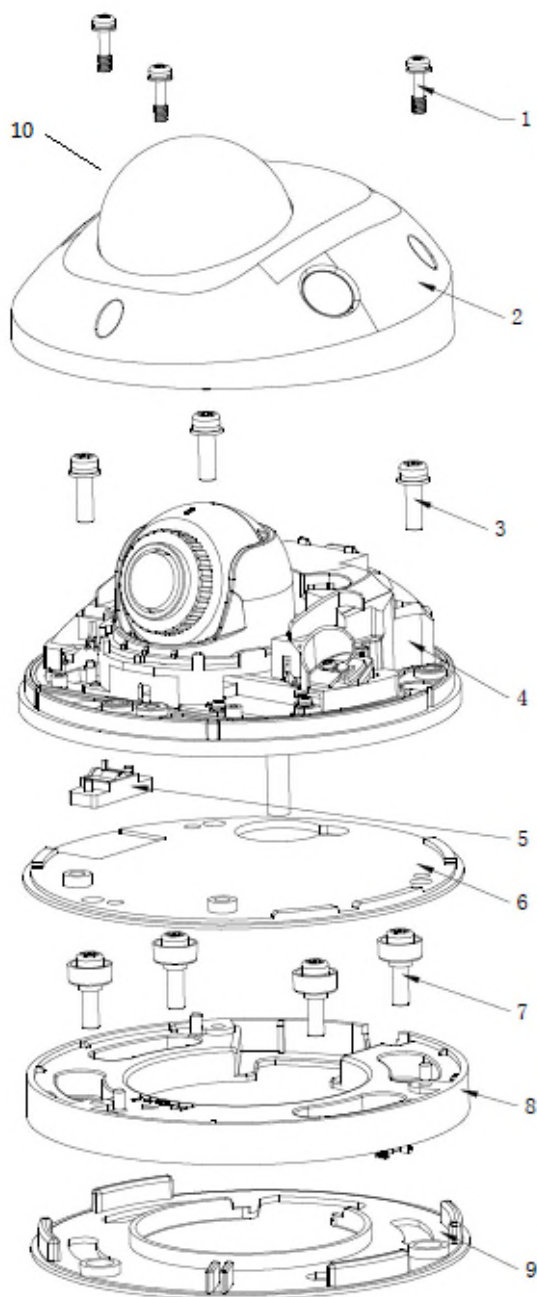
Doc. No.: DS-2XM6425-R118-00

Issue Date: November 30, 2019

**HIKVISION**

Manufacturer : Hangzhou Hikvision Digital Technology Co., Ltd.

Type : DS-2XM6425



No.	Name	Material	Quantity
1	M3 Screw	SUS304	3
2	Cover assembly	ADC12(铝材)	1
3	M4 Screw	SUS304	3
4	Main Body	ADC12	1
5	Microphone as-sembly	PC	1
6	Shock Pad	Silica gel	1
7	Screw	SUS304	4
8	Base Plate	ADC12	1
9	Shock Pad of Base Plate	Silica gel	1
10	Cover of camera	PC	1



INFORMATION DOCUMENT

Doc. No.: DS-2XM6425-R118-00

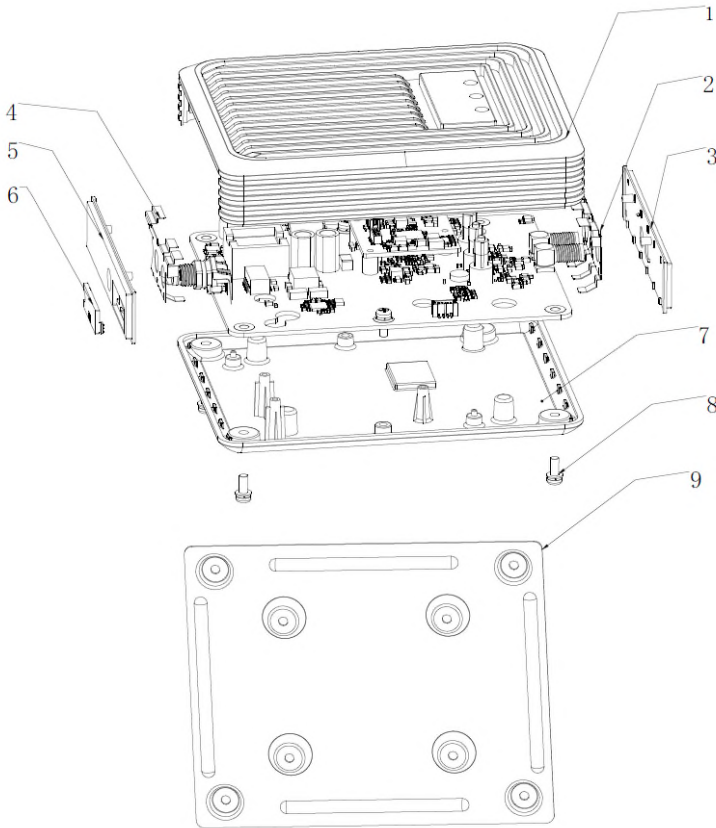
Issue Date: November 30, 2019

HIKVISION

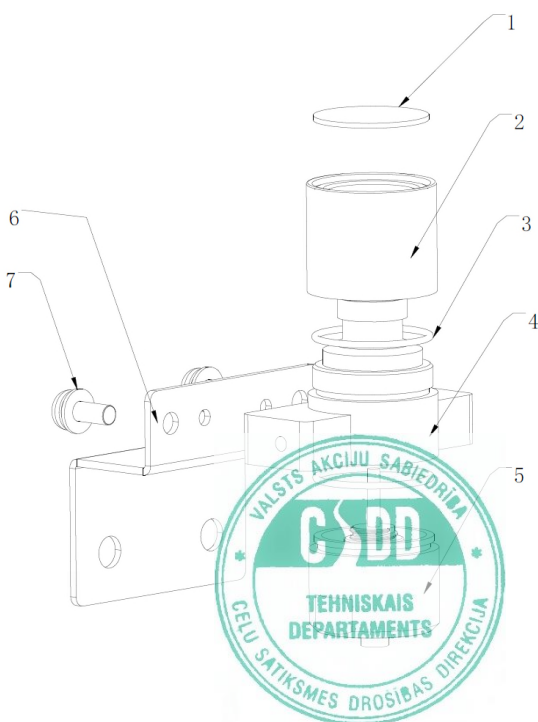
Manufacturer : Hangzhou Hikvision Digital Technology Co., Ltd.

Type : DS-2XM6425

DS-2XM6425G0/F-M31/ND



No.	Name	Material	Quantity
1	Host cover 2 (vehicle)	ADC12(铝材)	1
2	Metal piece 9(Railway)	Beryllium copper (镀铜)	1
3	Baffle 9 (Railway)	PC+ABS	1
4	Metal piece 8(Railway)	Beryllium copper (镀铜)	1
5	Baffle 8 (Railway)	PC+ABS	1
6	Little plate 1	PC+10%GF	1
7	Host cover 3 (vehicle)	ADC12(铝材)	1
8	Screw	SUS304	4
9	Main Body Bracket	SECC	1



No.	Name	Material	Quantity
1	Camera lens	Glass	1
2	Decorative cover	ADC12	1
3	Seal Ring	Silica gel	2
4	Fixed front shell 3	ADC12	1
5	Bottom shell	ADC12	1
6	Screw	SUS304	2
7	L type support	SECC	1

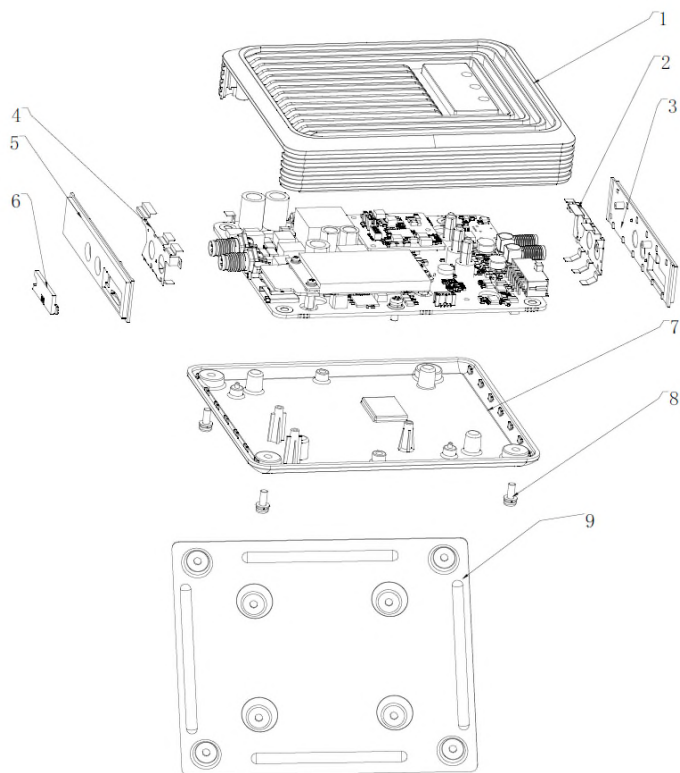


HIKVISION

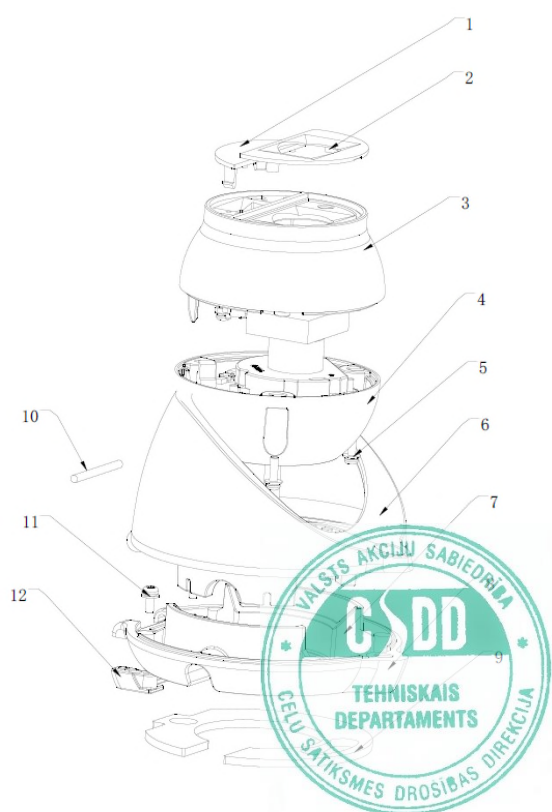
Manufacturer : Hangzhou Hikvision Digital Technology Co., Ltd.

Type : DS-2XM6425

DS-2XM6425G0/F-IM91



No.	Name	Material	Quantity
1	Host cover 2 (vehicle)	ADC12(铝材)	1
2	Metal piece 6(vehicle)	Beryllium copper (镀铜)	1
3	Baffle 9 (no vehicle)	PC+ABS	1
4	Metal piece 7(vehicle)	Beryllium copper (镀铜)	1
5	Baffle 7 (vehicle no 4G)	PC+ABS	1
6	Little plate1	PC+10%GF	1
7	Host cover 3 (vehicle)	ADC12(铝材)	1
8	Screw	SUS304	4
9	Main Body Bracket	SECC	1



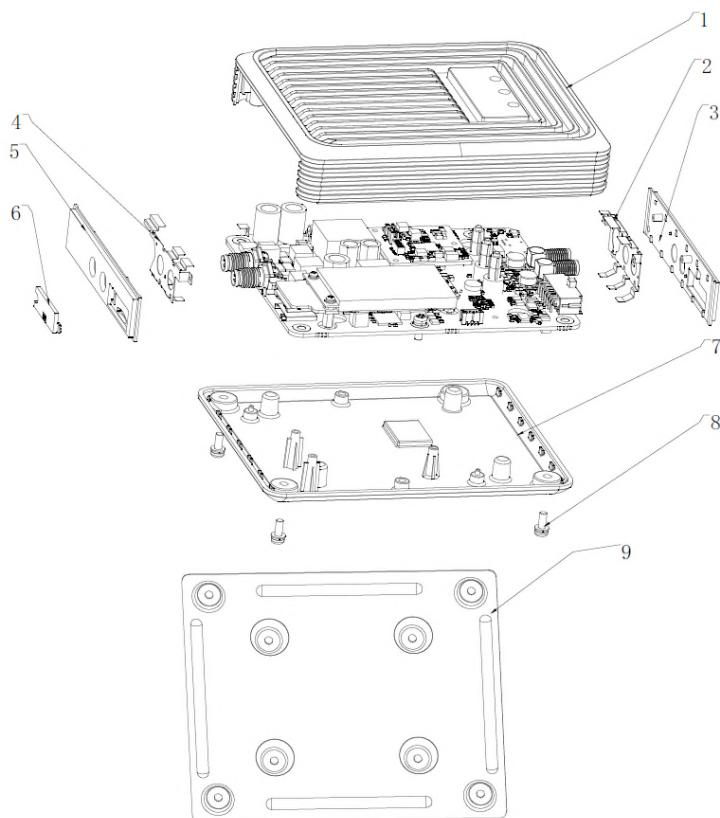
No.	Name	Material	Quantity
1	IR Transmission Plate(L90)	PC	1
2	Camera Trim Cover (L90)	PC	1
3	Camera Upper Ball 2 (L90)	ADC12	1
4	Camera Lower Ball (L90)	ADC12	1
5	Screw	Carbon steel	3
6	Fixed cover	ADC12	1
7	Supporting silica gel	Silica gel	2
8	Base	ADC12	1
9	Shock Pad of Base Plate	Silica gel	1
10	Rotating shaft	SUS304	1
11	Screw	Carbon steel	2
12	Rotating shaft gland	Zinc alloy(锌合金)	1

**HIKVISION**

Manufacturer : Hangzhou Hikvision Digital Technology Co., Ltd.

Type : DS-2XM6425

DS-2XM6425G0/F-IM81



No.	Name	Material	Quantity
1	Host cover 2 (vehicle)	ADC12(铝材)	1
2	Metal piece 6(vehicle)	Beryllium copper (镀铜)	1
3	Baffle 9 (no vehicle)	PC+ABS	1
4	Metal piece 7(vehicle)	Beryllium copper (镀铜)	1
5	Baffle 7 (vehicle no 4G)	PC+ABS	1
6	Little plate1	PC+10%GF	1
7	Host cover 3 (vehicle)	ADC12(铝材)	1
8	Screw	SUS304	4
9	Main Body Bracket	SECC	1



## INFORMATION DOCUMENT

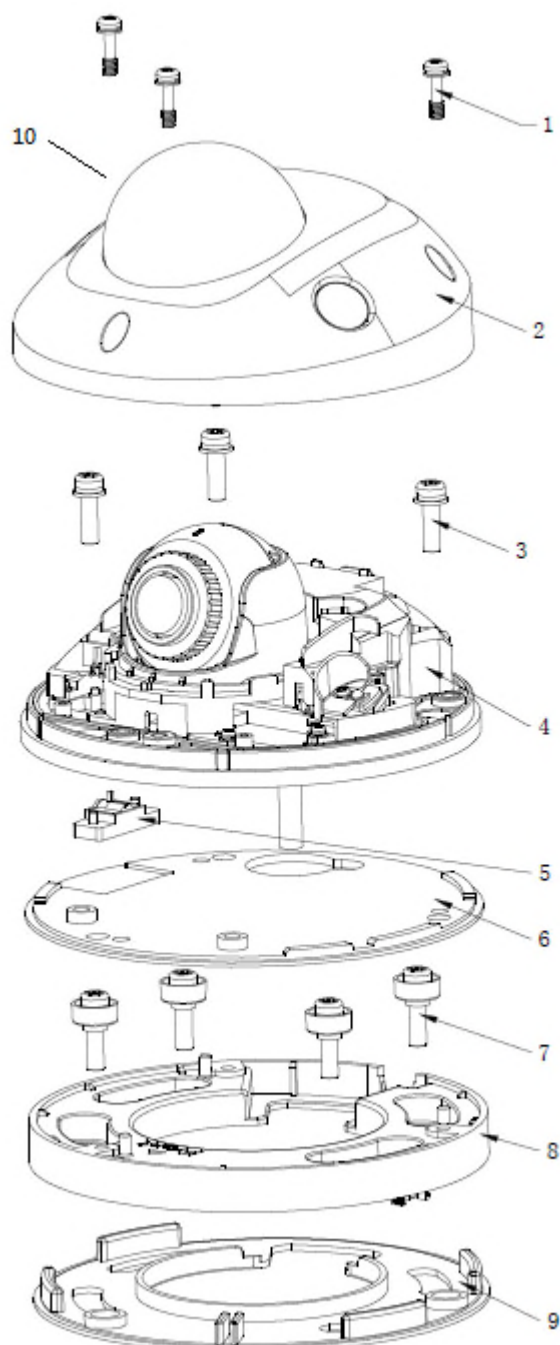
Doc. No.: DS-2XM6425-R118-00

Issue Date: November 30, 2019

**HIKVISION**

Manufacturer : Hangzhou Hikvision Digital Technology Co., Ltd.

Type : DS-2XM6425



No.	Name	Material	Quantity
1	M3 Screw	SUS304	3
2	Cover assembly	ADC12(铝材)	1
3	M4 Screw	SUS304	3
4	Main Body	ADC12	1
5	Microphone as- sembly	PC	1
6	Shock Pad	Silica gel	1
7	Screw	SUS304	4
8	Base Plate	ADC12	1
9	Shock Pad of Base Plate	Silica gel	1
10	Cover of camera	PC	1

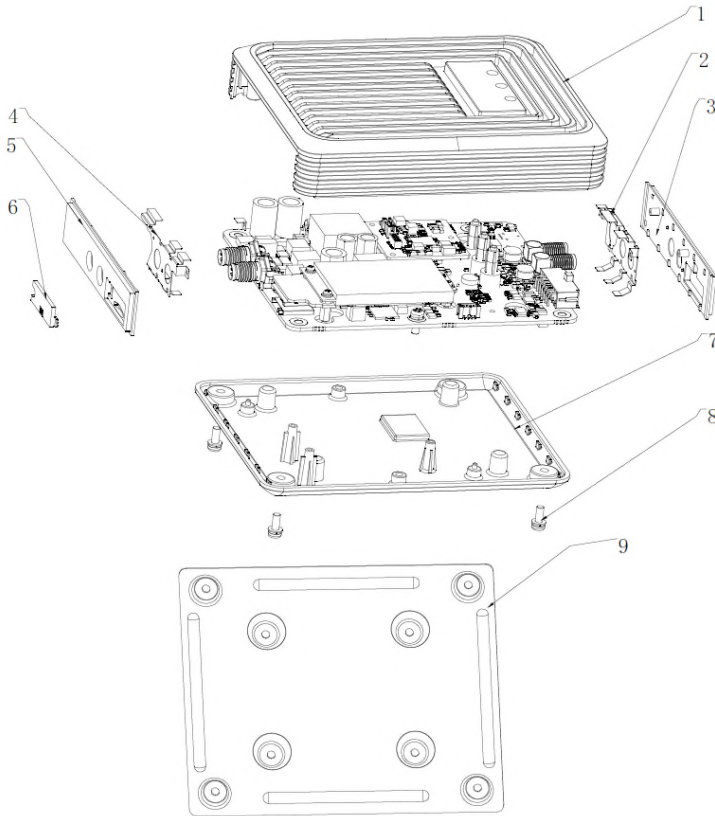


**HIKVISION**

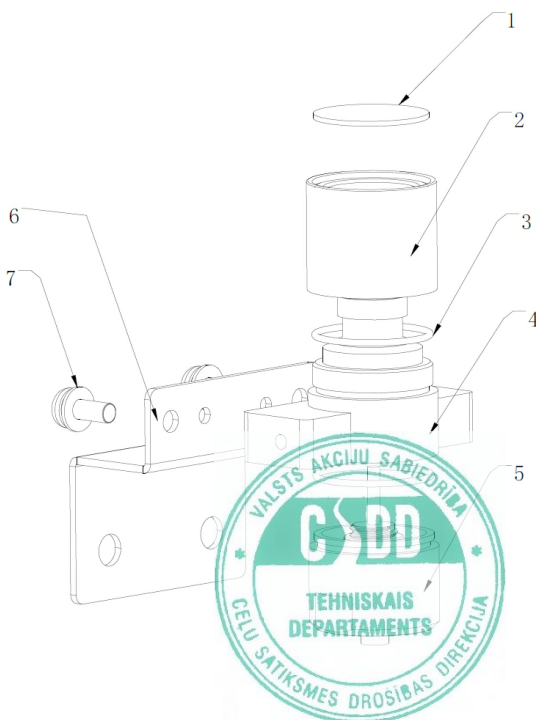
Manufacturer : Hangzhou Hikvision Digital Technology Co., Ltd.

Type : DS-2XM6425

DS-2XM6425G0/F-M31



No.	Name	Material	Quantity
1	Host cover 2 (vehicle)	ADC12(铝材)	1
2	Metal piece 6(vehicle)	Beryllium copper (镀铜)	1
3	Baffle 9 (no vehicle)	PC+ABS	1
4	Metal piece 7(vehicle)	Beryllium copper (镀铜)	1
5	Baffle 7 (vehicle no 4G)	PC+ABS	1
6	Little plate1	PC+10%GF	1
7	Host cover 3 (vehicle)	ADC12(铝材)	1
8	Screw	SUS304	4
9	Main Body Bracket	SECC	1



No.	Name	Material	Quantity
1	Camera lens	Glass	1
2	Decorative cover	ADC12	1
3	Seal Ring	Silica gel	2
4	Fixed front shell 3	ADC12	1
5	Bottom shell	ADC12	1
6	Screw	Carbon steel	2
7	L type support	SECC	1

Remark: The plastic materials in the camera are not possible to extract a sample in the prescribed dimensions as specified in Annex 6, Annex 7 and Annex 8.

Type : DS-2XM6425  
Manufacturer : Hangzhou Hikvision Digital Technology Co., Ltd.

---

Precisely Right.

## TEST REPORT

according to UN-Regulation

**Uniform provisions concerning the Burning Behaviour and/ or the capability to repel fuel or lubricant of materials used in the construction of certain categories of motor vehicles**

**Part II — Approval of a component with regard to its burning behaviour and/or its capability to repel fuel or lubricant installed in the interior compartment, the engine compartment or any separate heating compartment**

**UN-Regulation No. 118**

as last amended by

**Amend. 03, Suppl. 1**

---

Previously granted

UN approval : ---

---

Structure of the Test Report

Item No.

0. General information
  1. Tested vehicle(s) / object(s)
  2. Test record
  3. List of appendices
  4. Statement of conformity
- 

The Test Report shall be reproduced and published in full by the client only. It shall however be reproduced partially with the written permission of the Technical Service only.

Type : DS-2XM6425  
 Manufacturer : Hangzhou Hikvision Digital Technology Co., Ltd.

## 0. General information

- 0.1. Make (trade name of the manufacturer) : HIKVISION
- 0.2. Type : DS-2XM6425
- 0.3. Category of vehicle : n.a.
- 0.4. Name and address of the manufacturer : Hangzhou Hikvision Digital Technology Co., Ltd.  
 No.555 Qianmo Road, Binjiang District,  
 Hangzhou City, Zhejiang Province, China
- 0.5. No. of the information folder : DS-2XM6425-R118-00  
 - Date of issue : November 30, 2019  
 - Date of last change : --

## 1. Tested vehicle(s)/ object(s)

### 1.1. Description

- 1.1.1. ~~Vehicle~~ / object : [~~Vehicle~~] [Object]
- Commercial description : DS-2XM6425G0/F-IM91/ND, DS-2XM6425G0/F-IM81/ND,  
 DS-2XM6425G0/F-M31/ND, DS-2XM6425G0/F-IM81,  
 DS-2XM6425G0/F-IM91, DS-2XM6425G0/F-M31
- Type(s) /variant(s) /version(s) : DS-2XM6425
- Identification number : n.a.
- 1.1.2. Condition of ~~vehicle(s)~~/Object(s) : New /~~used~~ /~~pretested~~
- 1.2. Worst case selection : The determination of worst case was done according to internal procedure of the Technical Service (QMA 1.301.005, section 6.2.2.2)
- 1.3. Remarks : All versions of the ~~vehicle~~ / object type as stated in the information folder are covered by the ~~tested vehicle version(s)~~ and tested object(s) respectively.





Type : DS-2XM6425  
 Manufacturer : Hangzhou Hikvision Digital Technology Co., Ltd.

## 2. Test record

- 2.1. Equipment for measuring and testing : The test facilities / measurement equipment used were in compliance with the test requirements.
- 2.1.1. Specifications for the test site : n.a.
- 2.1.2. Subcontracting : n.a.
- 2.2. Test results : Passed /~~failed~~
- 2.2.1. Horizontal burning behaviour : n.a.
- 2.2.2. Melting behaviour : n.a.
- 2.2.3. Vertical burning behavior : n.a.
- 2.2.4. Complete device : The complete device includes electrical cable and camera. The surface area of each element on camera made of non-metal is less than 300 cm<sup>2</sup>, so the camera is not required to undergo the tests of horizontal burning test, vertical burning test or melting behaviour test.
- 2.2.5. Repel fuel or lubricant : n.a.
- 2.2.6. Flame propagation test for electric cable : Flame is extinguish within 70s and not less than 50mm insulation at the top of the test sample is remain unburned.
- 2.2.7. Mark with trade name and type : The samples are clearly and indelibly marked with the applicant's trade name and the type designation.
- 2.2.8. Alternative test provisions : n.a.
- 2.2.9. Attributive tests : n.a.
- Remark concerning extension : ~~The type has been tested according to the modification(s) mentioned in appendix 0.~~  
~~The new parts meet the requirements of the regulation/ directive.~~  
 An actual practical test of the type was not necessary. The results of the previous test(s) are still valid.
- 2.3. Additional information : The results of the test refer exclusively to the object(s) mentioned under point 1.1. of this report.
- Test site : Automotive Component Testing Center of Ningbo  
 No. 99, Jingu South Road, Yinzhou Investment & Business Incubation, 315104, Ningbo, P.R. China
- Test date : November 08, 2019

Type : DS-2XM6425  
Manufacturer : Hangzhou Hikvision Digital Technology Co., Ltd.

---

2.4. Remarks : --

**3. List of Appendices**

Appendix 0 : List of modifications

Appendix 1 : Test result

Information folder no. : DS-2XM6425-R118-00

**4. Statement of conformity**

The in point 0.5. mentioned information folder and the type described in that comply with the requirements mentioned on page 1.

With regard to the required level of performance to be achieved, the tested items were representative for the type to be approved (see point 1.2).

The mentioned test results refer to the ~~vehicle(s)~~ object(s) described under point 1.1 of this report.

Engineering centre Shanghai / December 12, 2019  
EY



Emma Yu  
Expert Technical Service





Type : DS-2XM6425  
Manufacturer : Hangzhou Hikvision Digital Technology Co., Ltd.

---

Precisely Right.

List of modifications

Appendix 0

Correction of : ---

Modification of : ---

Addition of : ---

Deletion of : ---



Type : DS-2XM6425  
 Manufacturer : Hangzhou Hikvision Digital Technology Co., Ltd.

## Test result

## Appendix 1

## Flame propagation test for electric cable

## Variant 2

Specimen	Dimension (mm)	Burning duration (s)	Unburnt length at the top (mm)	Remark
1	> 600	1.7	> 50	--
2	> 600	2.8	> 50	--
3	> 600	1.6	> 50	--
4	> 600	1.4	> 50	--
5	> 600	1.8	> 50	--

## Variant 3

Specimen	Dimension (mm)	Burning duration (s)	Unburnt length at the top (mm)	Remark
1	> 600	11.0	> 50	--
2	> 600	9.7	> 50	--
3	> 600	8.6	> 50	--
4	> 600	6.4	> 50	--
5	> 600	7.3	> 50	--



Type : DS-2XM6425  
 Manufacturer : Hangzhou Hikvision Digital Technology Co., Ltd.

**Variant 4**

Specimen	Dimension (mm)	Burning duration (s)	Unburnt length at the top (mm)	Remark
1	> 600	14.9	> 50	--
2	> 600	5.7	> 50	--
3	> 600	10.3	> 50	--
4	> 600	5.2	> 50	--
5	> 600	11.9	> 50	--

**Variant 5**

Specimen	Dimension (mm)	Burning duration (s)	Unburnt length at the top (mm)	Remark
1	> 600	9.1	> 50	--
2	> 600	7.8	> 50	--
3	> 600	5.3	> 50	--
4	> 600	7.7	> 50	--
5	> 600	1.8	> 50	--

The structural of variant 1 and variant 5 are similarity, the test result of variant 1 can be reference to variant 5.

