

DS-K5671-3XF/ZU Face Recognition Terminal



DS-K5671-3XF/ZU face recognition terminal is a kind of access control device integrated with temperature screening function. It can be installed on and work with turnstile, which can fast take skin-surface temperature and upload abnormal temperature event to the center, so that it can be widely applied in multiple scenarios, such as enterprises, stations, dwellings, factories, schools, campus and so on.

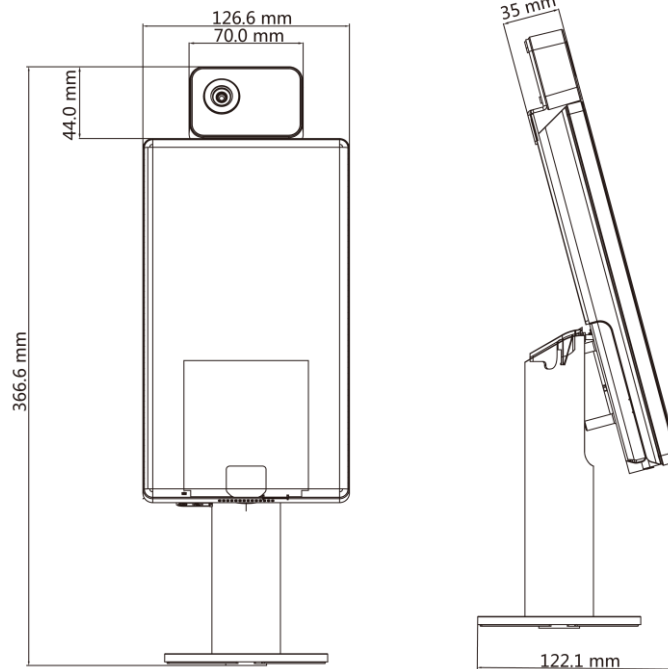
- Compatible with Hikvision turnstile
- Communicates with the third-party turnstile via IO output or Wiegand
- Supports Vanadium Oxide uncooled sensor to measure target's temperature
- Temperature measuring range: 30 °C to 45 °C (86 °F to 113 °F), accuracy: 0.1 °C, deviation: ± 0.5 °C
- Recognition distance: 0.3 to 2 m
- Fast temperature measurement mode: Detects face and takes temperature without identity authentication
- Multiple authentication modes are available: card and temperature, face and temperature, card and face and temperature, etc
- Face mask wearing alert: If the recognizing face does not wear a mask, the device will prompt a voice reminder. At the same time, the authentication or attendance is valid.
- Forced mask wearing alert: If the recognizing face does not wear a mask, the device will prompt a voice reminder. At the same time, the authentication or attendance will be failed
- Displays temperature measurement results on the authentication page
- Triggers voice prompt when detecting abnormal temperature
- Configurable door status (open/close) when detecting abnormal temperature
- Transmits online and offline temperature information to the client software via TCP/IP communication and saves the data on the client software
- Adjustable supplement light brightness
- High performance processor with deep learning algorithm
- 50,000 face capacity and 100,000 event capacity
- Face recognition duration < 0.2 s/User; face recognition accuracy rate ≥ 99%
- Transmits and saves the comparison results and the captured pictures to the client software or others
- NTP, manually time synchronization, and auto synchronization
- Watchdog design for protecting the device and ensuring device running properly
- Supports 6 attendance status, including check in, check out, break in, break out, overtime in, overtime out
- Audio prompt for authentication result
- * In order to get an accurate temperature, after the device is powered on, you should wait for 90 min to warm the device up.
- * Biometric recognition products are not 100% applicable to anti-spoofing environments. If you require a higher security level, use multiple authentication modes.



▪ Specification

Temperature measurement	
Temperature range	30 °C to 45 °C (86 °F to 113 °F)
Sensor	Vanadium Oxide uncooled sensor
Resolution	120 × 160
Frame rate	25 fps
Measuring accuracy	0.1 °C
Measuring deviation	± 0.5 °C, without black body calibration
Measuring distance	0.3 to 2 m
Screen	
Size	7-inch
Type	Touch screen
Camera	
Pixel	2 MP
Lens	Dual-lens
Network	
Wired network	Support, 10/100/1000 Mbps self-adaptive
Interface	
Network interface	1
RS-485	1
Wiegand	1
Lock output	1
Exit button	1
Door contact input	1
TAMPER	1
Capacity	
Face capacity	50,000
Event capacity	100,000
Authentication	
Face recognition duration	< 0.2 s per person
Face recognition distance	0.3 to 2 m
Function	
Face anti-spoofing	Support
Audio prompt	Support
Others	
Power supply	12 VDC/2 A
Working temperature	0 °C to 50 °C (32 °F to 122 °F) For temperature measurement: 10 °C to 35 °C (50 °F to 95 °F)
Working humidity	10 to 90% (No condensing)
Application environment	Indoor and windless environment use only

▪ Dimension



▪ Available Model

DS-K5671-3XF/ZU

Distributed by



HIKVISION®

Headquarters

No.555 Qianmo Road, Binjiang District,
Hangzhou 310051, China
T +86-571-8807-5998
overseasbusiness@hikvision.com

Hikvision USA
T +1-909-895-0400
sales.usa@hikvision.com

Hikvision Australia
T +61-2-8599-4233
salesau@hikvision.com

Hikvision India
T +91-22-28469900
sales@pramahikvision.com

Hikvision Canada
T +1-866-200-6690
sales.canada@hikvision.com

Hikvision Thailand
T +662-275-9949
sales.thailand@hikvision.com

Hikvision Europe
T +31-23-5542770
sales.eu@hikvision.com

Hikvision Italy
T +39-0438-6902
info.it@hikvision.com

Hikvision Brazil
T +55 11 3318-0050
Latam.support@hikvision.com

Hikvision Turkey
T +90 (216)521 7070- 7074
sales.tr@hikvision.com

Hikvision Malaysia
T +601-7652-2413
sales.my@hikvision.com

Hikvision UK & Ireland
T +01628-902140
sales.uk@hikvision.com

Hikvision South Africa
Tel: +27 (10) 0351172
sale.africa@hikvision.com

Hikvision France
T +33(0)1-85-330-450
info.fr@hikvision.com

Hikvision Kazakhstan
T +7-727-9730667
nikia.panfilov@hikvision.ru

Hikvision Vietnam
T +84-974270888
sales.vt@hikvision.com

Hikvision UAE
T +971-4-4432090
salesme@hikvision.com

Hikvision Singapore
T +65-6684-4718
sg@hikvision.com

Hikvision Spain
T +34-91-737-16-55
info.es@hikvision.com

Hikvision Tashkent
T +99-87-1238-9438
uzb@hikvision.ru

Hikvision Hong Kong
T +852-2151-1761
info.hk@hikvision.com

Hikvision Russia
T +7-495-669-67-99
saleru@hikvision.com

Hikvision Korea
T +82-(0)31-731-8817
sales.korea@hikvision.com

Hikvision Poland
T +48-22-460-01-50
info.pl@hikvision.com

Hikvision Indonesia
T +62-21-2933759
Sales.Indonesia@hikvision.com

Hikvision Colombia
sales.colombia@hikvision.com