

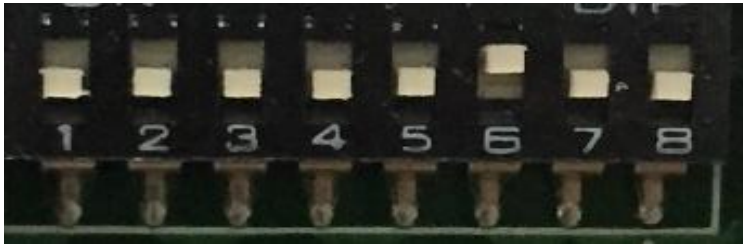
DS-K2600 Series Controller Connect To Wiegand Reader

Operation Process

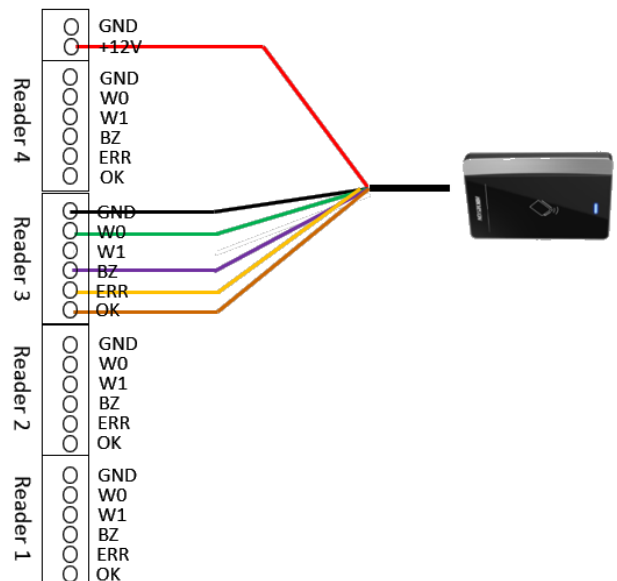
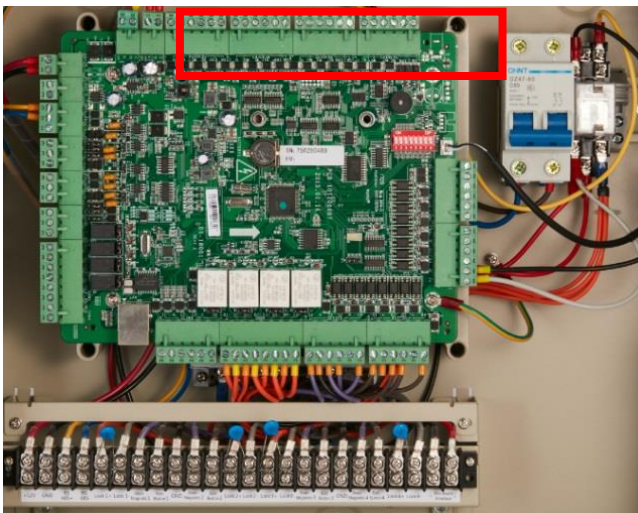
- 1) Set reader dip switch as wiegand mode.
- 2) Connect DS-K2600 controller to RS485 reader
- 3) Check reader LED status

Operation Steps:

1. Set reader dip switch as wiegand mode.
 - a) The former 4 dip switch are used to configure RS485 address, so in wiegand mode set them as OFF.
 - b) Set 6th dip switch as ON, the 7th dip switch is for wiegand 26 only, default set as OFF(wiegand34 mode).



2. Connect DS-K2600 to wiegand reader
 - a) There are 4 ports on the top.
In model **K2604**, reader1 for door1 entrance, reader2 for door2 entrance, etc.
In model **K2602**, reader 1 for door1 entrance, reader 2 for door1 exit, 3 for door2 entrance, 4 for door2 exit.
 - b) Connect red cable to +12V, normally only connect +12V, GND, W0, W1 four cables is enough, if want to control LED light or buzzer of the reader, please also connect BZ/ERR/OK



DS-K2600 Series Controller Connect to Wiegand Reader

3. Check reader LED status

If BZ/ERR/OK cables are connected, the LED light on reader should blink in blue color, if in red color it means communication error happens, please check the wiring or dip switch.

Suitable Models:

| Model | Description |
|--------------|-------------------------------|
| DS-K2601 | Single door access controller |
| DS-K2602 | Two door access controller |
| DS-K2604 | Four door access controller |