

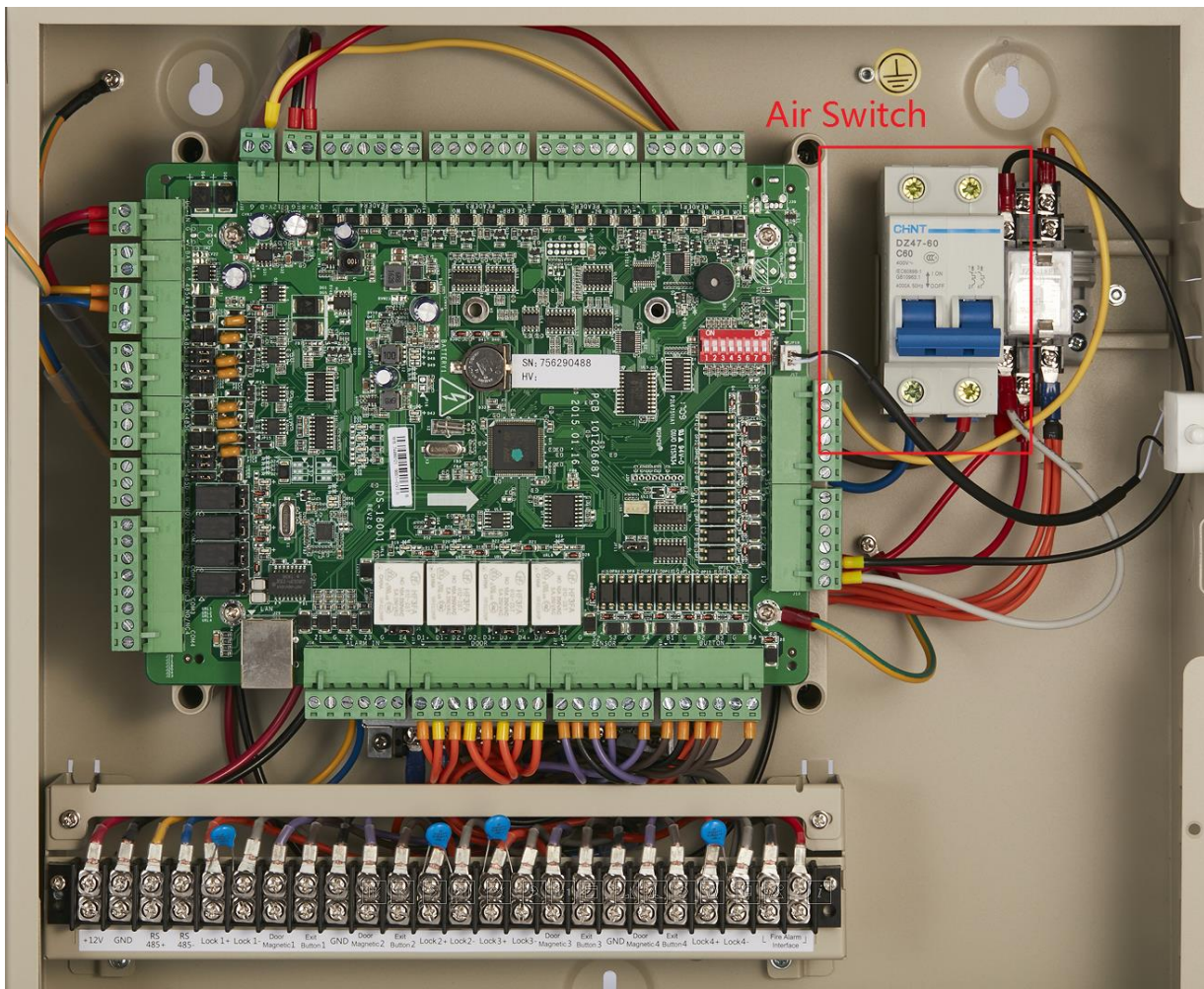
## DS-K2600 Series Controller to Lock

### Operation Process

- 1) Power on DS-K2600 controller
- 2) Connect controller to lock

### Operation Steps:

1. **Power on DS-K2600 controller**
  - a) Power on the air switch

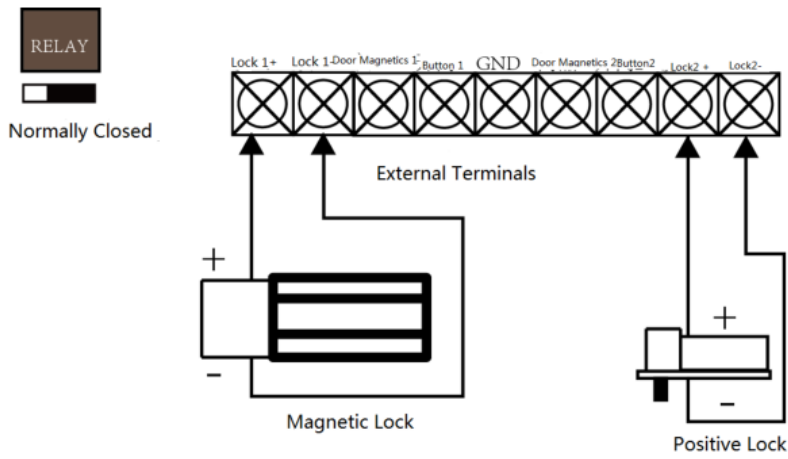


### 2. **Connect controller to lock**

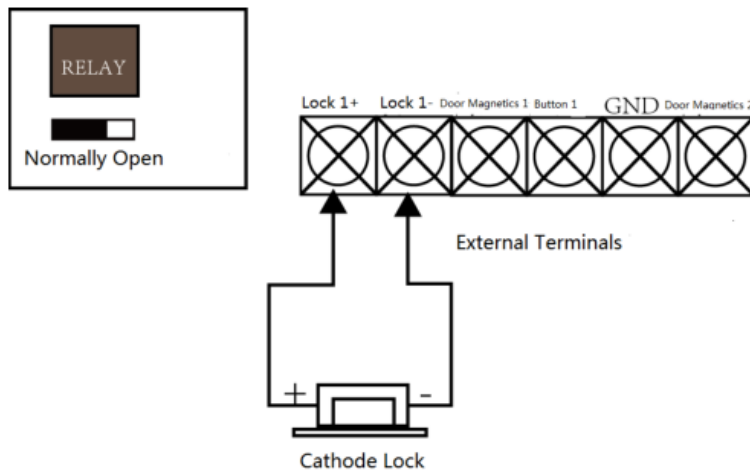
If the lock get power from controller, we can connect to Lock+ and Lock- directly, if lock connect to separate 12V power supply, connect to D+ and D- (ON/OFF signal) on the board.

- a) Magnetic lock or positive lock get power from controller  
Jumper default in Normally Closed status

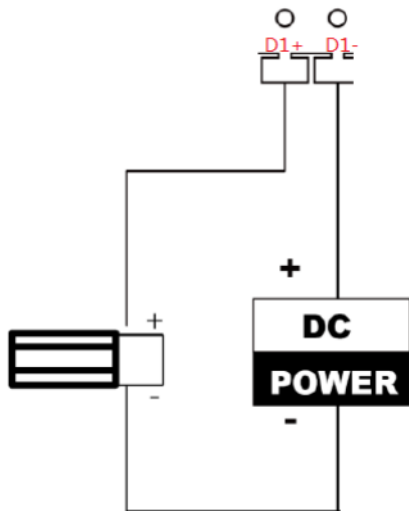
# DS-K2600 Series Controller to Lock



- b) Cathode lock get power from controller  
Set jumper as Normal Open

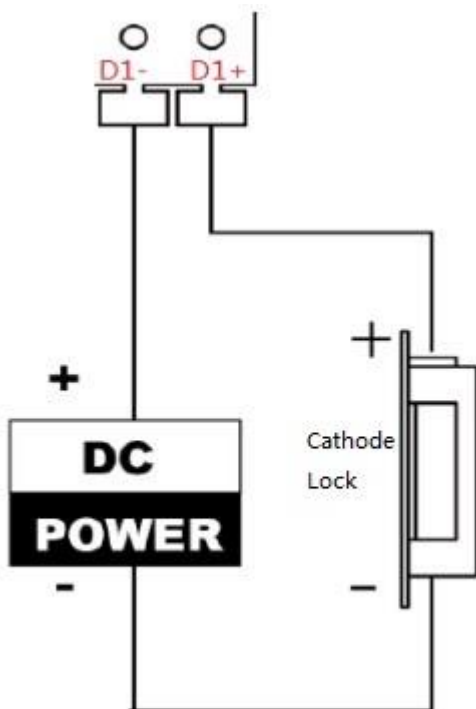


- c) Magnetic lock or positive lock get power from separate 12V power supply

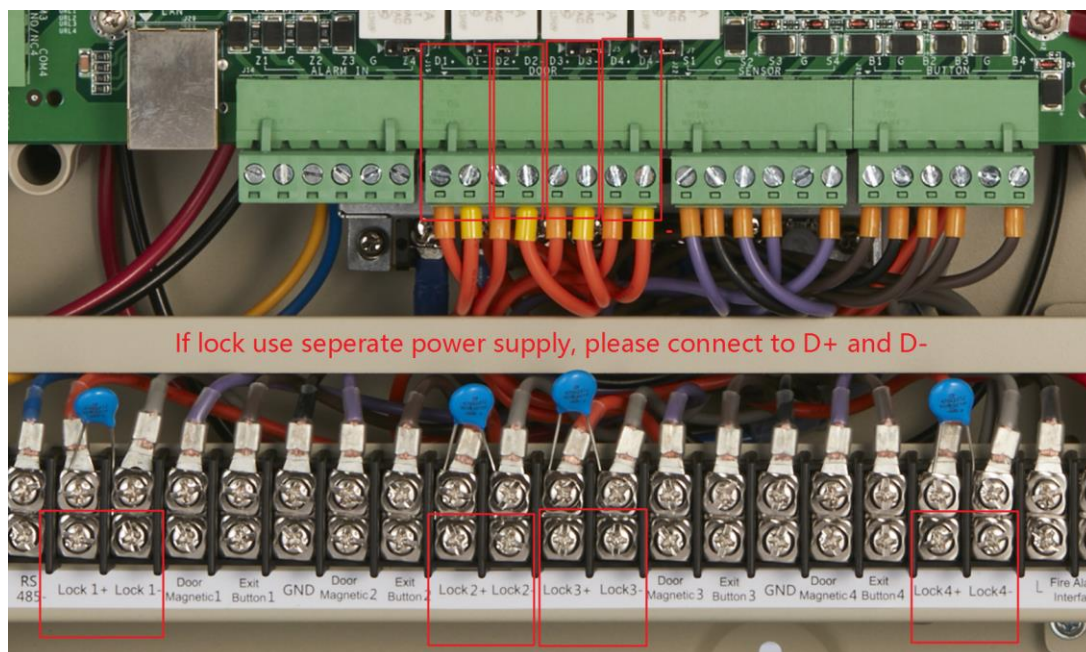


## DS-K2600 Series Controller to Lock

d) Cathode lock get power from separate 12V power supply



**D+** and **D-** located on mainboard. **Lock+** and **Lock-** on wiring distribution board



**Suitable Models:**

Model	Description
DS-K2601	Single door access controller

## DS-K2600 Series Controller to Lock

DS-K2602	Two door access controller
DS-K2604	Four door access controller