



DS-2FM2466 Data Acquisition Module  
Operation Manual

## **Operation Manual**

COPYRIGHT ©2019 Hangzhou Hikvision Digital Technology Co., Ltd.

### **ALL RIGHTS RESERVED.**

Any and all information, including, among others, wordings, pictures, graphs are the properties of Hangzhou Hikvision Digital Technology Co., Ltd. or its subsidiaries (hereinafter referred to be “Hikvision”). This user manual (hereinafter referred to be “the Manual”) cannot be reproduced, changed, translated, or distributed, partially or wholly, by any means, without the prior written permission of Hikvision. Unless otherwise stipulated, Hikvision does not make any warranties, guarantees or representations, express or implied, regarding to the Manual.

### **About this Manual**

This Manual is applicable to DS-2FM2466 data acquisition module.

The Manual includes instructions for using and managing the product. Pictures, charts, images and all other information hereinafter are for description and explanation only. The information contained in the Manual is subject to change, without notice, due to firmware updates or other reasons. Please find the latest version in the company website (<http://overseas.hikvision.com/en/>).

Please use this user manual under the guidance of professionals.

### **Trademarks Acknowledgement**

**HIKVISION** and other Hikvision’s trademarks and logos are the properties of Hikvision in various jurisdictions. Other trademarks and logos mentioned below are the properties of their respective owners.

### **Legal Disclaimer**

TO THE MAXIMUM EXTENT PERMITTED BY APPLICABLE LAW, THE PRODUCT DESCRIBED, WITH ITS HARDWARE, SOFTWARE AND FIRMWARE, IS PROVIDED “AS IS”, WITH ALL FAULTS AND ERRORS, AND HIKVISION MAKES NO WARRANTIES, EXPRESS OR IMPLIED, INCLUDING WITHOUT LIMITATION, MERCHANTABILITY, SATISFACTORY QUALITY, FITNESS FOR A PARTICULAR PURPOSE, AND NON-INFRINGEMENT OF THIRD PARTY. IN NO EVENT WILL HIKVISION, ITS DIRECTORS, OFFICERS, EMPLOYEES, OR AGENTS BE LIABLE TO YOU FOR ANY SPECIAL, CONSEQUENTIAL, INCIDENTAL, OR INDIRECT DAMAGES, INCLUDING, AMONG OTHERS, DAMAGES FOR LOSS OF BUSINESS PROFITS, BUSINESS INTERRUPTION, OR LOSS OF DATA OR DOCUMENTATION, IN CONNECTION WITH THE USE OF THIS PRODUCT, EVEN IF HIKVISION HAS BEEN ADVISED OF THE POSSIBILITY OF SUCH DAMAGES. REGARDING TO THE PRODUCT WITH INTERNET ACCESS, THE USE OF PRODUCT SHALL BE WHOLLY AT YOUR OWN RISKS. HIKVISION SHALL NOT TAKE ANY RESPONSIBILITIES FOR ABNORMAL OPERATION, PRIVACY LEAKAGE OR OTHER DAMAGES RESULTING FROM CYBER ATTACK, HACKER ATTACK, VIRUS INSPECTION, OR OTHER INTERNET SECURITY RISKS; HOWEVER, HIKVISION WILL PROVIDE TIMELY TECHNICAL SUPPORT IF REQUIRED.

SURVEILLANCE LAWS VARY BY JURISDICTION. PLEASE CHECK ALL RELEVANT LAWS IN YOUR JURISDICTION BEFORE USING THIS PRODUCT IN ORDER TO ENSURE THAT YOUR USE CONFORMS THE APPLICABLE LAW. HIKVISION SHALL NOT BE LIABLE IN THE EVENT THAT THIS PRODUCT IS USED WITH ILLEGITIMATE PURPOSES.




IN THE EVENT OF ANY CONFLICTS BETWEEN THIS MANUAL AND THE APPLICABLE LAW, THE LATER PREVAILS.

## Applicable Models

This manual is applicable to DS-2FM2466 data acquisition module.

## Symbol Conventions

The symbols that may be found in this document are defined as follows.

Symbol	Description
 <b>NOTE</b>	Provides additional information to emphasize or supplement important points of the main text.
 <b>WARNING</b>	Indicates a potentially hazardous situation, which if not avoided, could result in equipment damage, data loss, performance degradation, or unexpected results.
 <b>DANGER</b>	Indicates a hazard with a high level of risk, which if not avoided, will result in death or serious injury.

## Safety Instructions

- Proper configuration of all passwords and other security settings is the responsibility of the installer and/or end-user.
- In the use of the product, you must be in strict compliance with the electrical safety regulations of the nation and region. Please refer to technical specifications for detailed information.
- Input voltage should meet both the SELV (Safety Extra Low Voltage) and the Limited Power Source with 100 to 240 VAC or 12 VDC according to the IEC60950-1 standard. Please refer to technical specifications for detailed information.
- Do not connect several devices to one power adapter as adapter overload may cause overheating or a fire hazard.
- Please make sure that the plug is firmly connected to the power socket.
- If smoke, odor or noise rise from the device, turn off the power at once and unplug the power cable, and then please contact the service center.

# TABLE OF CONTENTS

<b>Chapter 1 Product Introduction .....</b>	<b>4</b>
1.1 Overview .....	4
1.2 Product Features .....	5
1.2.1 Performance Indicators .....	5
1.2.2 Terminal.....	7
1.2.3 Internal Structure Diagram .....	8
1.2.4 External Wiring.....	8
1.3 Installation.....	9
<b>Chapter 2 Protocol .....</b>	<b>11</b>
2.1 Modbus Communications Protocol.....	11
2.1.1 Read the Status of the Output Relay.....	11
2.1.2 Read the Status of Switching Input .....	13
2.1.3 Read Holding Registers.....	14
2.2 Factory Defaults .....	20
<b>Chapter 3 Software Instructions .....</b>	<b>21</b>
3.1 Power On and Initialization .....	21
3.2 Connection to Advanced Software .....	21

# Chapter 1 Product Introduction

## 1.1 Overview

DS-2FM2466 is a 6-channel isolated digital input and 6-channel relay output module, with Ethernet interfaces supporting standard Modbus TCP protocol. It is equipped with an easy-to-use interactive interface for multiple functions.

6 relay outputs provide contacts rated 5 A at 250 VAC or 3 A at 30 VDC, and support pulse output function. 6 digital inputs support signal latching and signal counting and frequency measurement for signals lower than 3 kHz.

Figure 1-1 Product Appearance

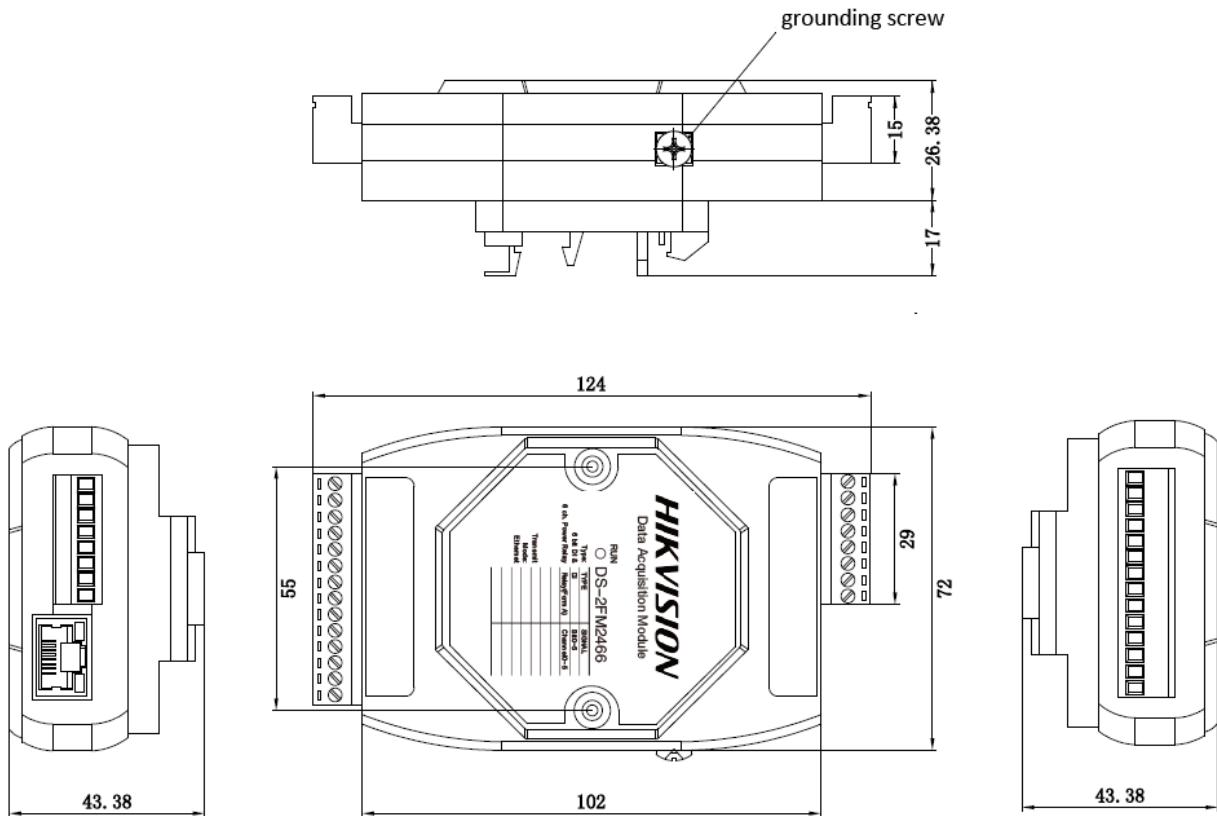


Figure 1-2 Product Dimensions

## 1.2 Product Features

### 1.2.1 Performance Indicators

Table 1-1 6-channel Isolated Digital Input and 6-channel Relay Output Module

Digital Input	
Number of channels	6 single-ended digital inputs (dry contact or common-cathode wet contact)
Digital input voltage	Dry contact      Logic level 0: grounding Logic level 1: open circuit Wet contact      Logic level 0: 0 to +3 V (maximum) Logic level 1: +10 V to +30 V
Working mode	Digital input, low-to-high latch, high-to-low latch, counter, and frequency measurement
Counter	32-bit
Counter/frequency input range	0 to 3 kHz
Other	Supports inverted DI function
Digital Output	
Number of channels	6 form-A power relay outputs
Contact capacity (resistive)	AC: 250 V @ 5 A DC: 30 V @ 3 A
Working mode	Digital output, low-to-high delay output, high-to-low delay output, and frequency output
Breakdown voltage	500 VAC (50/60 Hz)
Relay switching-on time	7 ms
Relay switching-off time	3 ms
Total operating time	10 ms
Insulation resistance	> 1 GΩ @ 500 VDC
Maximum operating frequency	20 cycles/min (at rated load)
Electrical endurance value	Typical value @30 VDC/3 A: $1 \times 10^5$ times (operating frequency: 20 cycles/min) Typical value @250 VAC/3 A: $1 \times 10^5$ times (operating

	frequency: 20 cycles/min)
Mechanical endurance value	Typical value: $2 \times 10^7$ times (no load, operating frequency: 180 cycles/min)
Pulse output frequency	$\leq 3$ Hz
Other	
Isolation voltage	2000 V
Communication interface	10/100 Mbps Ethernet
Watchdog timer	Double watchdog timers
Power supply voltage	+10 V to 30 VDC
Power protection	Power reversal protection
Power consumption	2.5 W @ 24 VDC
Operating temperature	-10°C to +70°C
Storage temperature	-20°C to +80°C

## 1.2.2 Terminal

Table 1-2 Terminal Definition

Terminal Pin	Name	Description
1	RL4+	Relay 4 output +
2	RL4-	Relay 4 output -
3	RL5+	Relay 5 output +
4	RL5-	Relay 5 output -
5	DI0	DI0 input
6	DI1	DI1 input
7	DI2	DI2 input
8	DI3	DI3 input
9	DI4	DI4 input
10	DI5	DI5 input
11	Iso.GND	Digital input common terminal
12	INIT*	Restore to factory default settings
13	+Vs	Power supply +
14	GND	Power supply -
15	RL0+	Relay 0 output +
16	RL0-	Relay 0 output -
17	RL1+	Relay 1 output +
18	RL1-	Relay 1 output -
19	RL2+	Relay 2 output +
20	RL2-	Relay 2 output -
21	RL3+	Relay 3 output +
22	RL3-	Relay 3 output -

 **NOTE**

Two terminals are used: a 14P 3.5 mm spacing green terminal on one side and an 8P 3.5 mm spacing green terminal on the other side.





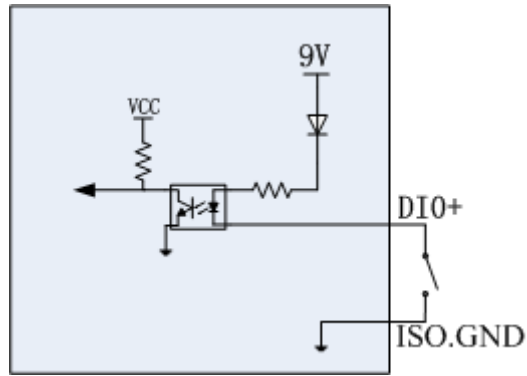


Figure 1-5 Dry Contact Input

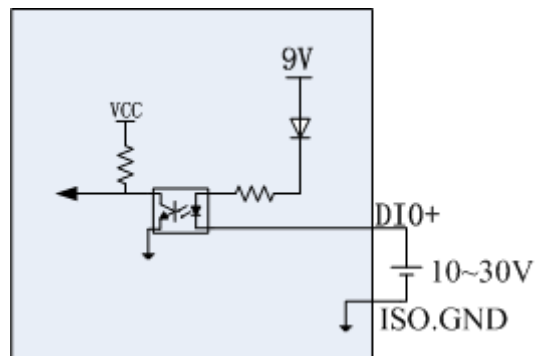


Figure 1-6 Wet Contact Common-Cathode

3) **Relay output connection:**

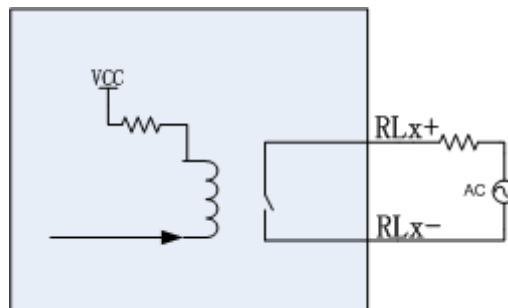


Figure 1-7 Relay Output

## 1.3 Installation

The DS-2FM2466 series modules can be installed on DIN rail and panels (as shown in Figure 1-8) and can be stacked together (as shown in Figure 1-9). Signal connections use plug-in screw terminals. It is easy to install, modify, and maintain.

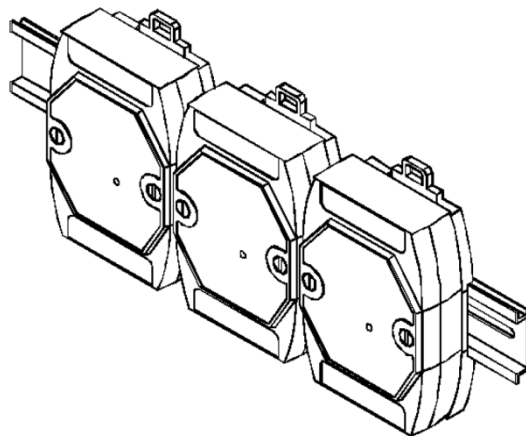


Figure 1-8 Installation

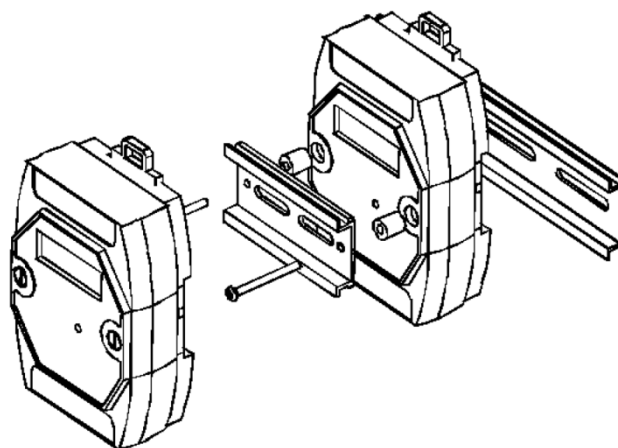


Figure 1-9 Stacking

## Chapter 2 Protocol

### 2.1 Modbus Communications Protocol

#### 2.1.1 Read the Status of the Output Relay

Function code: 01

Data starting address: 00001 to 00750

Note: Read the status of the output relay

Address	Description	Note
00002	No. 01 switching output status	=1 on; =0 off
00003	No. 02 switching output status	=1 on; =0 off
00004	No. 03 switching output status	=1 on; =0 off
00005	No. 04 switching output status	=1 on; =0 off
00006	No. 05 switching output status	=1 on; =0 off
Reserved		
00065	No. 00 switching output safety status	=1 on; =0 off
00066	No. 01 switching output safety status	=1 on; =0 off
00067	No. 02 switching output safety status	=1 on; =0 off
00068	No. 03 switching output safety status	=1 on; =0 off
00069	No. 04 switching output safety status	=1 on; =0 off
00070	No. 05 switching output safety status	=1 on; =0 off
Reserved		
00649	DI0 latching status	= 1 latched; = 0 unlatched
00650	DI1 latching status	= 1 latched; = 0 unlatched
00651	DI2 latching status	= 1 latched; = 0 unlatched
00652	DI3 latching status	= 1 latched; = 0 unlatched
00653	DI4 latching status	= 1 latched; = 0 unlatched
00654	DI5 latching status	= 1 latched; = 0 unlatched

Reserved		
00665	DI0 filter	= 1 enabled; = 0 disabled
00666	DI1 filter	= 1 enabled; = 0 disabled
00667	DI2 filter	= 1 enabled; = 0 disabled
00668	DI3 filter	= 1 enabled; = 0 disabled
00669	DI4 filter	= 1 enabled; = 0 disabled
00670	DI5 filter	= 1 enabled; = 0 disabled
Reserved		
00681	DI0 inversion	= 1 inverted; = 0 not inverted
00682	DI1 inversion	= 1 inverted; = 0 not inverted
00683	DI2 inversion	= 1 inverted; = 0 not inverted
00684	DI3 inversion	= 1 inverted; = 0 not inverted
00685	DI4 inversion	= 1 inverted; = 0 not inverted
00686	DI5 inversion	= 1 inverted; = 0 not inverted
Reserved		
00697	DI0 counter starts and stops	=1 start; =0 stop
00698	DI1 counter starts and stops	=1 start; =0 stop
00699	DI2 counter starts and stops	=1 start; =0 stop
00700	DI3 counter starts and stops	=1 start; =0 stop
00701	DI4 counter starts and stops	=1 start; =0 stop
00702	DI5 counter starts and stops	=1 start; =0 stop
Reserved		
00713	Clear DI0 counter value	1 = cleared; = 0 not cleared
00714	Clear DI1 counter value	1 = cleared; = 0 not cleared
00715	Clear DI2 counter value	1 = cleared; = 0 not cleared
00716	Clear DI3 counter value	1 = cleared; = 0 not cleared
00717	Clear DI4 counter value	1 = cleared; = 0 not cleared
00718	Clear DI5 counter value	1 = cleared; = 0 not cleared

Reserved		
00729	DI0 counter overflow flag	1 = overflow; = 0 not overflow
00730	DI1 counter overflow flag	1 = overflow; = 0 not overflow
00731	DI2 counter overflow flag	1 = overflow; = 0 not overflow
00732	DI3 counter overflow flag	1 = overflow; = 0 not overflow
00733	DI4 counter overflow flag	1 = overflow; = 0 not overflow
00734	DI5 counter overflow flag	1 = overflow; = 0 not overflow
Reserved		
00745	Save DI0 counter value in case of power failure	1 = enabled; = 0 disabled
00746	Save DI1 counter value in case of power failure	1 = enabled; = 0 disabled
00747	Save DI2 counter value in case of power failure	1 = enabled; = 0 disabled
00748	Save DI3 counter value in case of power failure	1 = enabled; = 0 disabled
00749	Save DI4 counter value in case of power failure	1 = enabled; = 0 disabled
00750	Save DI6 counter value in case of power failure	1 = enabled; = 0 disabled
Reserved		

## 2.1.2 Read the Status of Switching Input

Function code: 02

Data starting address: 10001 to 10006

Note: read the status of switching input

### Data description:

Address	Description	Note
10001	DI0 switching status	= 0 low level, = 1 high level
10002	DI1 switching status	= 0 low level, = 1 high level
10003	DI2 switching status	= 0 low level, = 1 high level

10004	DI3 switching status	= 0 low level, = 1 high level
10005	DI4 switching status	= 0 low level, = 1 high level
10006	DI5 switching status	= 0 low level, = 1 high level

### 2.1.3 Read Holding Registers

Function code: 03

Data starting address: 40001 to 40740

Note: Read the value of the hold registers

**Data description: The value is a 16-bit integer or unsigned integer.**

Address	Description	Note
40001	Channel DO0 operation mode	0x01 Immediate output mode; 0x02 Low-to-high delay output; 0x03 High-to-low delay output; 0x04 Pulse output
40002	Channel DO1 operation mode	
40003	Channel DO2 operation mode	
40004	Channel DO3 operation mode	
40005	Channel DO4 operation mode	
40006	Channel DO5 operation mode	
Reserved		
40033	Channel 0 pulse output high level duration, high 16 bits	It can be configured from 1 to 0xFFFFFFFF (unit: 0.1 ms). For example, when it is configured to 10,000, the pulse output high level duration is 1 s.  Note: Configure the relay output module according to the maximum operating frequency given in the manual.
40034	Channel 0 pulse output high level duration, low 16 bits	
40035	Channel 1 pulse output high level duration, high 16 bits	
40036	Channel 1 pulse output high level duration, low 16 bits	
40037	Channel 2 pulse output high level duration, high 16 bits	
40038	Channel 2 pulse output high level duration, low 16 bits	
40039	Channel 3 pulse output high level duration, high 16 bits	

40040	Channel 3 pulse output high level duration, low 16 bits	
40041	Channel 4 pulse output high level duration, high 16 bits	
40042	Channel 4 pulse output high level duration, low 16 bits	
40043	Channel 5 pulse output high level duration, high 16 bits	
40044	Channel 5 pulse output high level duration, low 16 bits	
Reserved		
40065	Channel 0 pulse output low level duration, high 16 bits	Same as above.
40066	Channel 0 pulse output low level duration, low 16 bits	
40067	Channel 1 pulse output low level duration, high 16 bits	
40068	Channel 1 pulse output low level duration, low 16 bits	
40069	Channel 2 pulse output low level duration, high 16 bits	
40070	Channel 2 pulse output low level duration, low 16 bits	
40071	Channel 3 pulse output low level duration, high 16 bits	
40072	Channel 3 pulse output low level duration, low 16 bits	
40073	Channel 4 pulse output low level duration, high 16 bits	
40074	Channel 4 pulse output low level duration, low 16 bits	
40075	Channel 5 pulse output low level duration, high 16 bits	
40076	Channel 5 pulse output low level duration, low 16 bits	



Reserved		
40129	DO0 output pulse quantity, high 16 bits	The number of output pulses can be configured from 0 to 0xFFFFFFFF. When configured as 0, the module continuously outputs pulses until you click to stop. When configured to a value greater than 0, the module outputs the set number of pulses.
40130	DO0 output pulse quantity, low 16 bits	
40131	DO1 output pulse quantity, high 16 bits	
40132	DO1 output pulse quantity, low 16 bits	
40133	DO2 output pulse quantity, high 16 bits	
40134	DO2 output pulse quantity, low 16 bits	
40135	DO3 output pulse quantity, high 16 bits	
40136	DO3 output pulse quantity, low 16 bits	
40137	DO4 output pulse quantity, high 16 bits	
40138	DO4 output pulse quantity, low 16 bits	
40139	DO5 output pulse quantity, high 16 bits	
40140	DO5 output pulse quantity, low 16 bits	
Reserved		
40161	Channel 0 low to high output delay, high 16 bits	It can be configured from 0 to 0xFFFFFFFF (unit: 0.1 ms). For example, when it is configured to 10,000, the module will delay the output of high level for 1 s after receiving the high-level output command. When it is configured to 0, the module outputs as soon as it receives the high-level output command.
40162	Channel 0 low to high output delay, low 16 bits	
40163	Channel 1 low to high output delay, high 16 bits	
40164	Channel 1 low to high output delay, low 16 bits	
40165	Channel 2 low to high output delay, high 16 bits	
40166	Channel 2 low to high output delay, low 16 bits	
40167	Channel 3 low to high output delay, high 16 bits	
40168	Channel 3 low to high output delay, low 16 bits	
40169	Channel 4 low to high output delay, high 16 bits	
40170	Channel 4 low to high output delay, low 16 bits	
40171	Channel 5 low to high output delay, high 16 bits	
40172	Channel 6 low to high output delay, low 16 bits	
Reserved		
40193	Channel 0 high to low output delay, high 16 bits	Same as above.

40194	Channel 0 high to low output delay, low 16 bits	
40195	Channel 1 high to low output delay, high 16 bits	
40196	Channel 1 high to low output delay, low 16 bits	
40197	Channel 2 high to low output delay, high 16 bits	
40198	Channel 2 high to low output delay, low 16 bits	
40199	Channel 3 high to low output delay, high 16 bits	
40200	Channel 3 high to low output delay, low 16 bits	
40201	Channel 4 high to low output delay, high 16 bits	
40202	Channel 4 high to low output delay, low 16 bits	
40203	Channel 5 high to low output delay, high 16 bits	
40204	Channel 5 high to low output delay, low 16 bits	
Reserved		
40225	Increased number of channel 0 output pulses, high 16 bits	
40226	Increased number of channel 0 output pulses, low 16 bits	
40227	Increased number of channel 1 output pulses, high 16 bits	
40228	Increased number of channel 1 output pulses, low 16 bits	
40229	Increased number of channel 2 output pulses, high 16 bits	
40230	Increased number of channel 2 output pulses, low 16 bits	
40231	Increased number of channel 3 output pulses, high 16 bits	
40232	Increased number of channel 3 output pulses, low 16 bits	
40233	Increased number of channel 4 output pulses, high 16 bits	
40234	Increased number of channel 4 output pulses, low 16 bits	

40235	Increased number of channel 5 output pulses, high 16 bits	
40236	Increased number of channel 5 output pulses, low 16 bits	
Reserved		
40649	Channel DI0 operating mode	0x01 General DI mode; 0x02 Low to high latch mode; 0x03 High to low latch mode; 0x04 Counter mode; 0x05 Frequency measurement mode.
40650	Channel DI1 operating mode	
40651	Channel DI2 operating mode	
40652	Channel DI3 operating mode	
40653	Channel DI4 operating mode	
40654	Channel DI5 operating mode	
Reserved		
40665	Channel DI0 count value/frequency value, high 16 bits	When the module is in counter mode, the bits correspond to the count value. When the module is in frequency mode, the bits correspond to 10 times the frequency value (the frequency values are displayed to 1 digit after the decimal point).
40666	Channel DI0 count value/frequency value, low 16 bits	
40667	Channel DI1 count value/frequency value, high 16 bits	
40668	Channel DI1 count value/frequency value, low 16 bits	
40669	Channel DI2 count value/frequency value, high 16 bits	
40670	Channel DI2 count value/frequency value, low 16 bits	
40671	Channel DI3 count value/frequency value, high 16 bits	
40672	Channel DI3 count value/frequency value, low 16 bits	
40673	Channel DI4 count value/frequency value, high 16 bits	
40674	Channel DI4 count value/frequency value, low 16 bits	
40675	Channel DI5 count value/frequency value, high 16 bits	

	bits	
40676	Channel DI5 count value/frequency value, low 16 bits	
Reserved		
40697	Minimum width of DI0 high level, high 16 bits	It can be configured from 1 to 0xFFFFFFFF (unit: 0.1 ms). For example, if it is configured to 10,000, DI signals are considered as high level only when the high-level duration is longer than 1 s. Otherwise, the level status will not update and the count value will not increase. Latch mode and frequency mode do not refer to this configuration.
40698	Minimum width of DI0 high level, low 16 bits	
40699	Minimum width of DI1 high level, high 16 bits	
40700	Minimum width of DI1 high level, low 16 bits	
40701	Minimum width of DI2 high level, high 16 bits	
40702	Minimum width of DI2 high level, low 16 bits	
40703	Minimum width of DI3 high level, high 16 bits	
40704	Minimum width of DI3 high level, low 16 bits	
40705	Minimum width of DI4 high level, high 16 bits	
40706	Minimum width of DI4 high level, low 16 bits	
40707	Minimum width of DI5 high level, high 16 bits	
40708	Minimum width of DI5 high level, low 16 bits	
Reserved		
40729	Minimum width of DI0 low level, high 16 bits	Same as above.
40730	Minimum width of DI0 low level, low 16 bits	
40731	Minimum width of DI1 low level, high 16 bits	
40732	Minimum width of DI1 low level, low 16 bits	
40733	Minimum width of DI2 low level, high 16 bits	
40734	Minimum width of DI2 low level, low 16 bits	
40735	Minimum width of DI3 low level, high 16 bits	
40736	Minimum width of DI3 low level, low 16 bits	
40737	Minimum width of DI4 low level, high 16 bits	
40738	Minimum width of DI4 low level, low 16 bits	
40739	Minimum width of DI5 low level, high 16 bits	
40740	Minimum width of DI5 low level, low 16 bits	

Reserved		
40513	Watchdog timer control register	Bit0: 1 enabled, 0 not enabled;
40514	Watchdog timer overflow time register	Watchdog timeout constant, unit: s
40516	UDP search port number	5000 to 60000 (Default setting: 5001)
40519	Restart the register	0x00: do not start; 0x01: restart
40520	Restore to defaults	0x00: do not restore 0x01: restore

## 2.2 Factory Defaults

Password: 666666

IP address: 192.168.2.80

Default gateway: 255:255:255:0

DI mode: General DI mode

DO mode: General DO mode

Safe output: 0

## Chapter 3 Software Instructions

### 3.1 Power On and Initialization

Power supply connection: Connect "+Vs" to the power supply. Connect "GND" to the ground. The module requires a +10 V to +30 V input.

Cable connection: DS-2FM2466 connects to the computer through the RJ45 interface of the conversion module.

Reset: Cut off the power, short the INIT\* and GND terminals, and power on. When the indicator light stops flashing, the reset is complete. Power off and disconnect the INIT\* and GND terminals. Power on and the module will begin sampling.

### 3.2 Connection to Advanced Software

Step 1 Complete the connection and power on. Open the DS-2FM2466 advanced software. Click the arrow and the following interface will appear. Enter the IP address. Leave other settings as default. Click Connect Device.

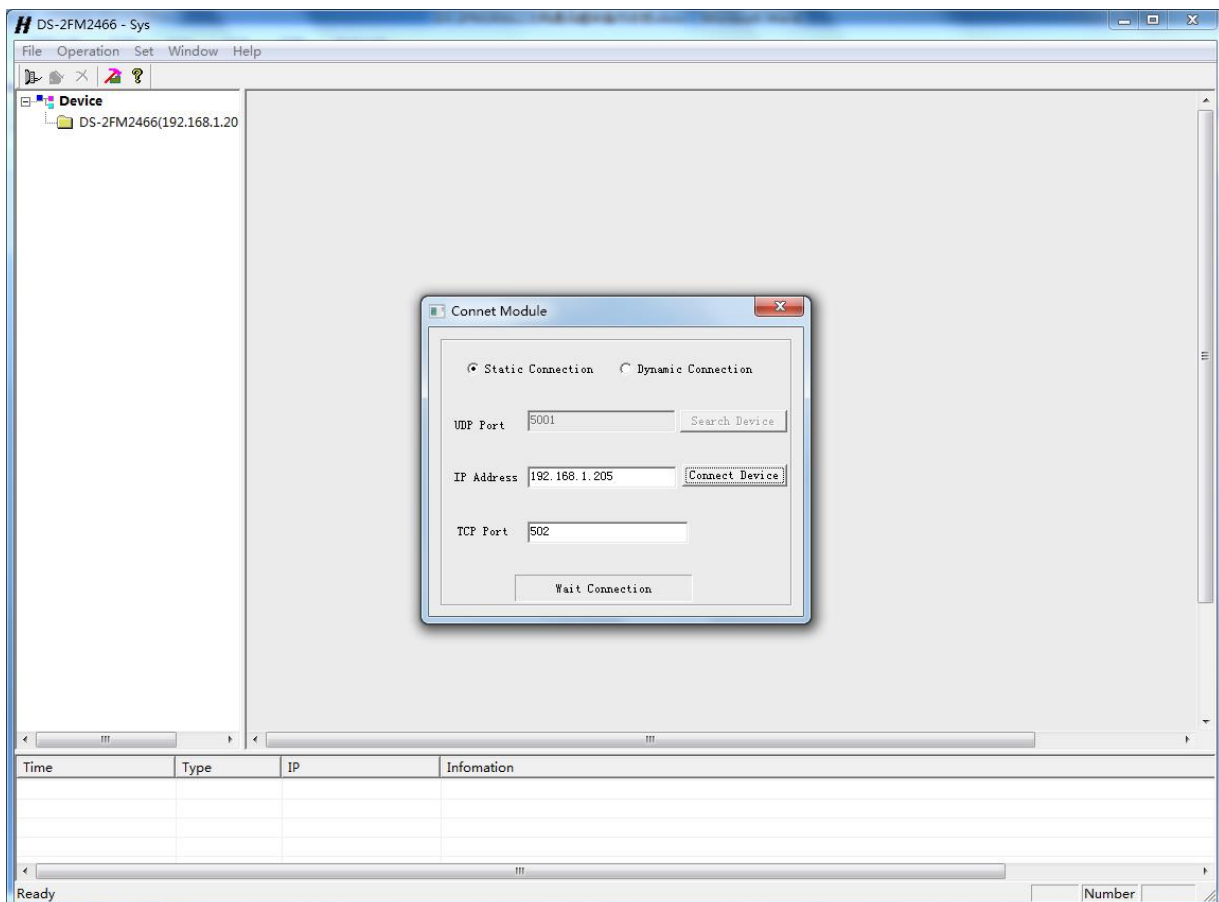


Figure 3-1 Connect Module

Step 2 Enter the password in the dialog box to log in. The default password is 666666. If the module information does not appear, repeat the above steps.

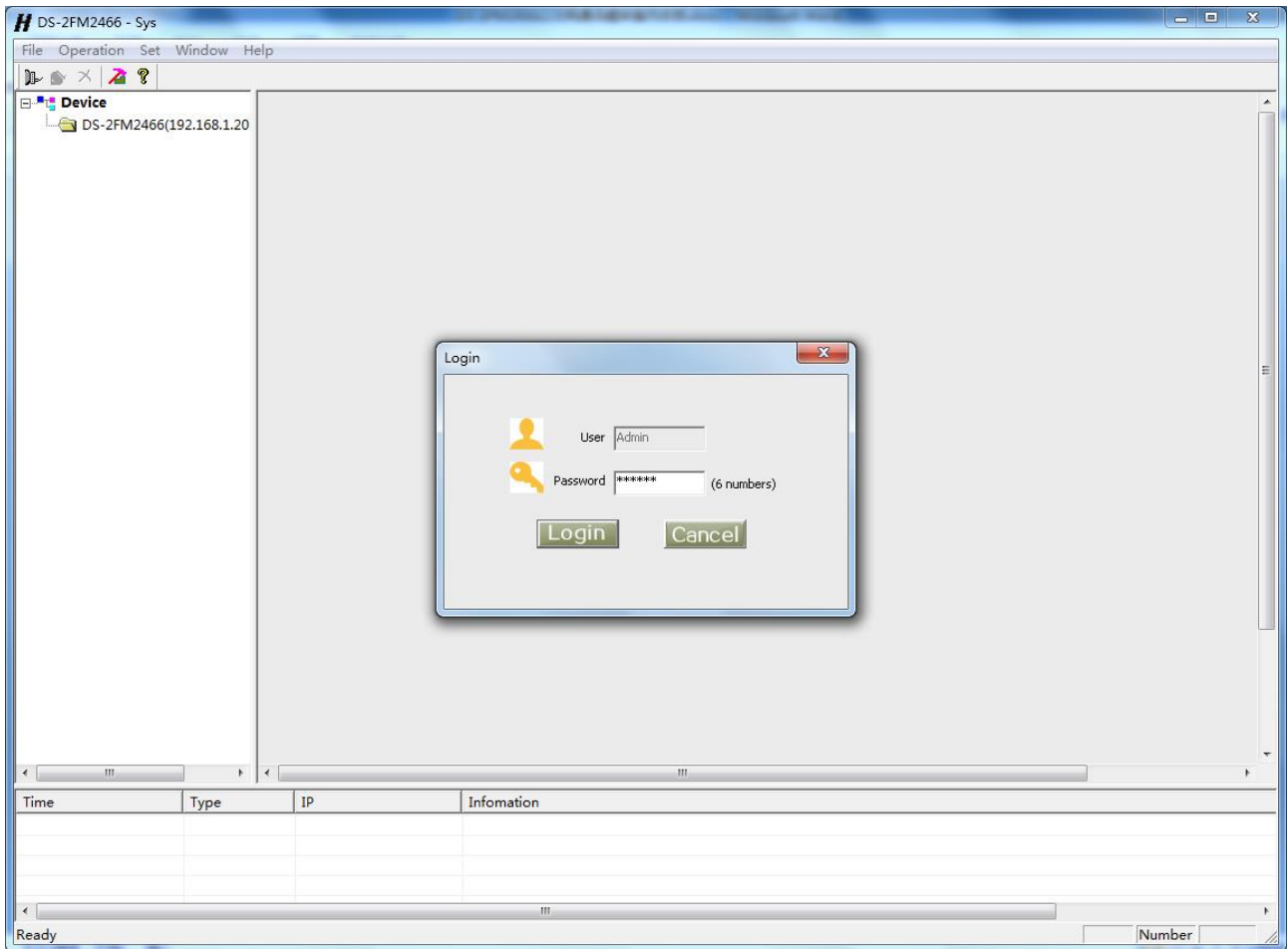


Figure 3-2 Login

Step 3 After the module is connected, click "DS-2FM2466\_Function" and the following information interface will appear. Click the drop-down arrow under "Input Status" to select different modes. Click "Apply to All Channel" to set all 8 channels to the same mode. Click "Apply to Channel" to apply the mode to the current channel. Click "Set All Channel" to apply the current settings to all channels. Click "Set the Channel" to apply the settings to the current channel.

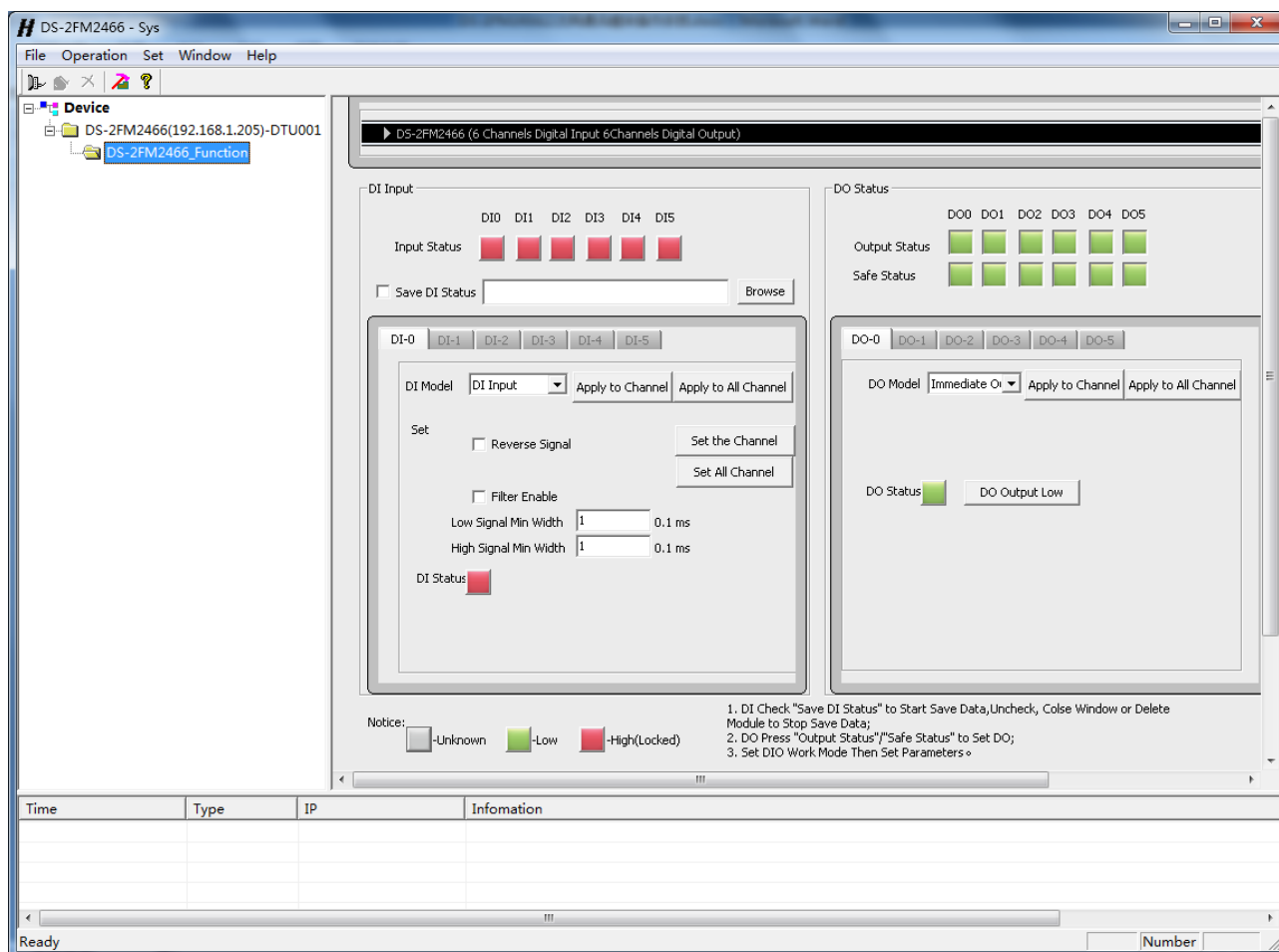


Figure 3-3 DS-2FM2466 Function

Step 4 Click the position pointed out by the red arrow to view the module parameters.



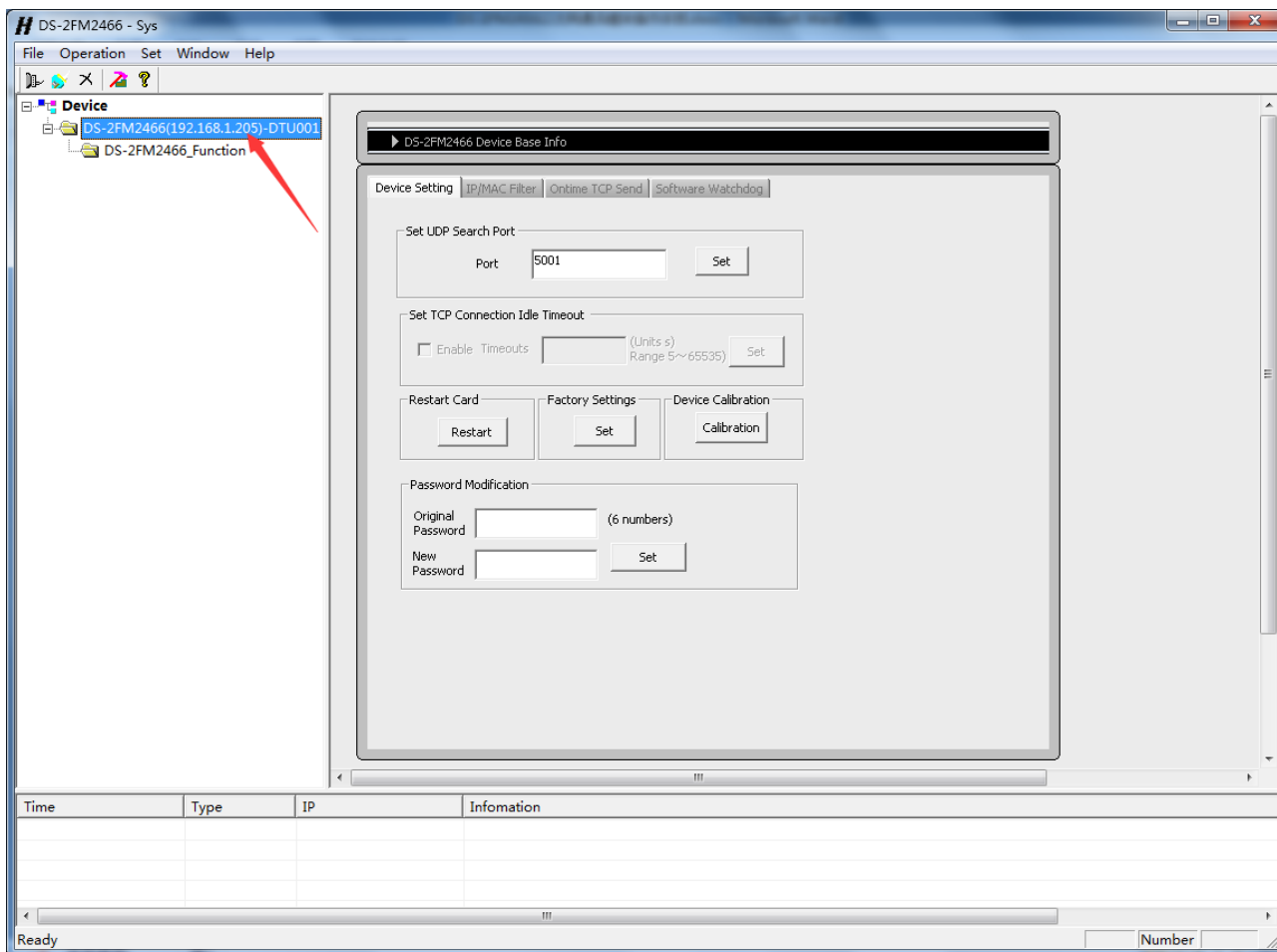


Figure 3-4 Module Parameters

Step 5 If you need to modify the module information, double-click the module address information on the left. Change the module IP and other information in the following dialog box.

 **NOTE**

The MAC address is unique. Do not change it at will.

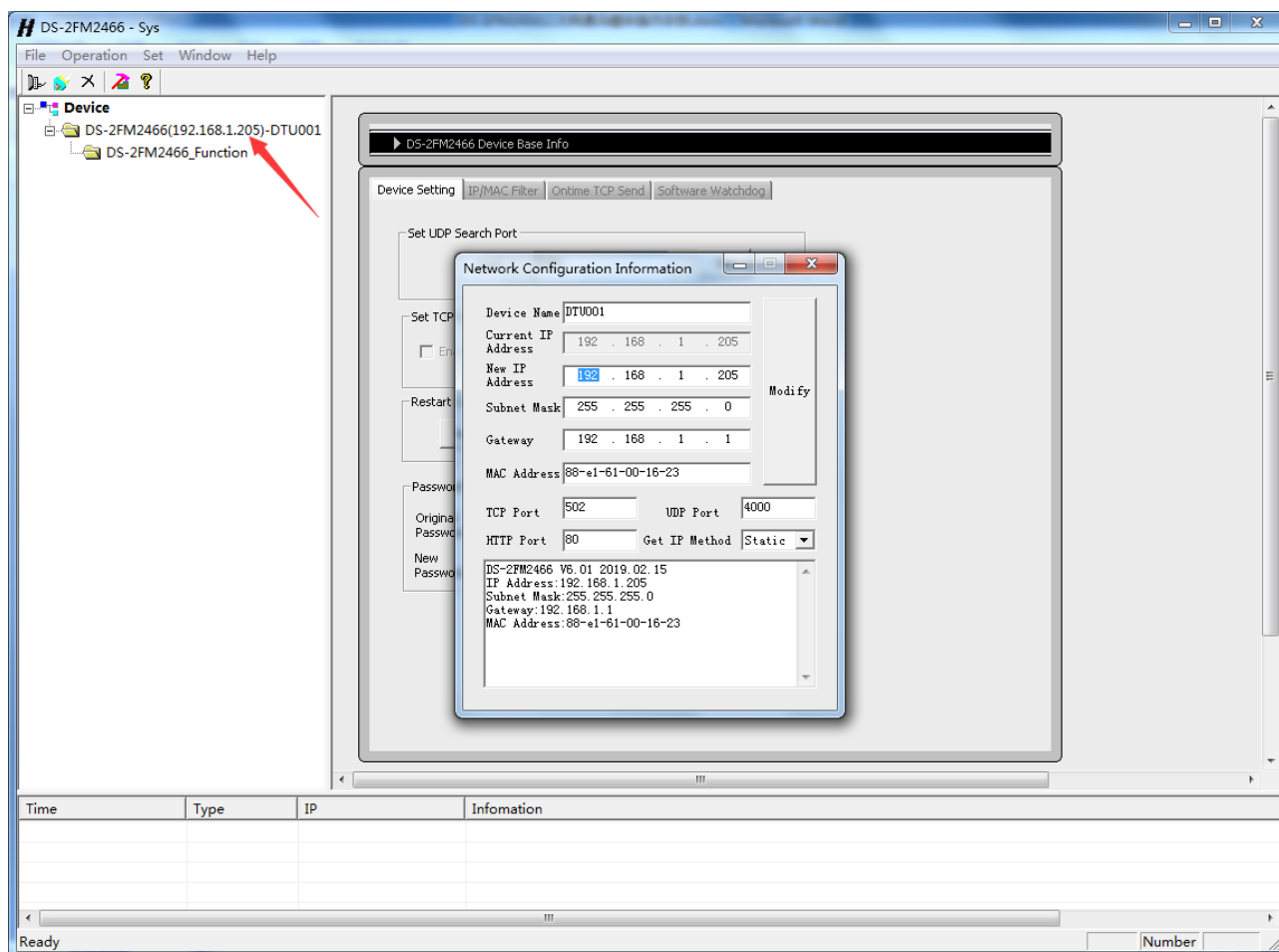


Figure 3-5 Network Configuration Information

Step 6 After modifying the IP information, restart the module to configure the IP information. Click Restart as shown in the following figure. When the power indicator is on, repeat the first two steps to connect the module.

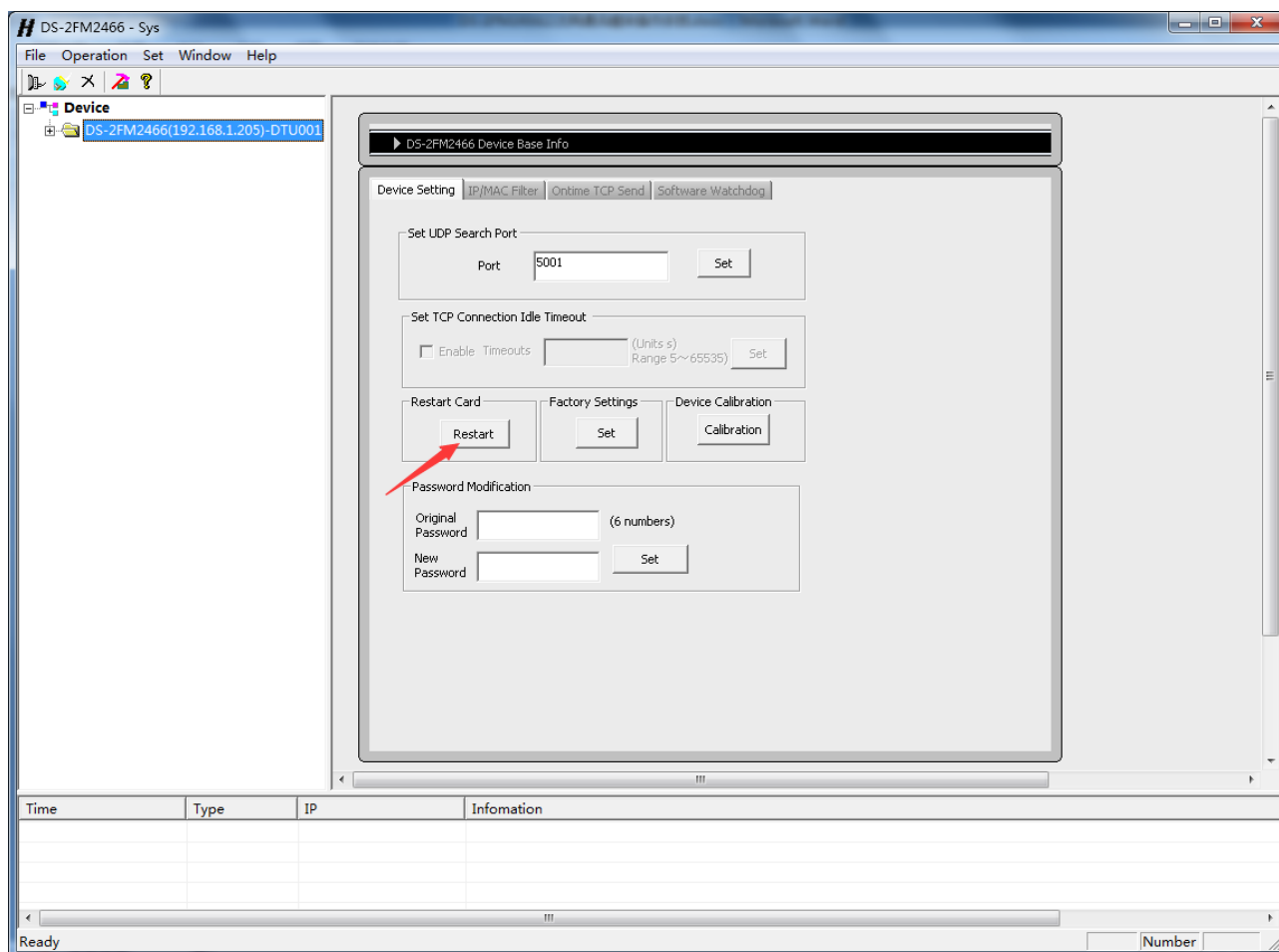


Figure 3-6 Restart



See Far, Go Further