

DS-2XM6512G0-I(D)(M)(/ND) 1.3 MP Mobile Network Camera



- High quality imaging with 1.3 MP resolution
- Clear imaging against strong back light due to 120 dB true WDR technology
- Efficient H.265+ compression technology
- Water and dust resistant (IP68) and vandal proof (IK10)
- Advanced streaming technology that enables smooth live view and data self-correcting in poor network
- 3D DNR technology delivers clean and sharp images
- Hik-Connect cloud service and APP for remote management and views of devices



▪ Specification

Camera	
Image Sensor	1/2.8" Progressive Scan CMOS
Min. Illumination	0.01 Lux @ (F1.2, AGC ON), 0 Lux with IR
Shutter Speed	1 s to 1/100,000 s
Slow Shutter	Yes
P/N	P/N
Wide Dynamic Range	120dB
Day & Night	ICR Cut
Power-off Memory	Yes
Angle Adjustment	2.8 mm: pan: -15° to 15°, tilt: 15° to 30°, rotate: -90° to 90° 4 mm/6 mm: pan: -15° to 15°, tilt: 0° to 30°, rotate: -90° to 90°
Lens	
Lens Type & FOV	2.8 mm: horizontal FOV 104°, vertical FOV 56°, diagonal FOV 121° 4 mm: horizontal FOV 77°, vertical FOV 42°, diagonal FOV 91° 6 mm: horizontal FOV 50°, vertical FOV 27°, diagonal FOV 59°
Aperture	2.8 mm/4 mm: F2.0; 6 mm: F1.6
Lens Mount	M12
Illuminator	
IR Range	Up to 10 m
Wavelength	850 nm
Smart Supplement Light	Yes
Video	
Max. Resolution	1536 × 864
Main Stream	50Hz: 50 fps (1536 × 864, 1280 × 720, 704 × 576, 640 × 480) 60Hz: 60 fps (1536 × 864, 1280 × 720, 704 × 480, 640 × 480)
Sub-Stream	50Hz: 25fps (704 × 576, 640 × 480, 352 × 288, 320 × 240) 60Hz: 30fps (704 × 480, 640 × 480, 352 × 240, 320 × 240)
Third Stream	50Hz: 25fps (1536 × 864, 1280 × 720, 704 × 576, 640 × 480, 352 × 288, 320 × 240) 60Hz: 30fps (1536 × 864, 1280 × 720, 704 × 480, 640 × 480, 352 × 240, 320 × 240)
Fourth Stream	No
Fifth Stream	No
Custom Stream	No
Video Compression	Main Stream: H.265 /H.264 Sub-Stream: H.265 /H.264 / MJPEG Third Stream: H.265 /H.264
Video Bit Rate	32 Kbps to 16Mbps
H.264 Type	BaseLine Profile/Main Profile/High Profile
H.265 Type	Main Profile
H.264+	Main Stream supports
H.265+	Main Stream supports
Bit Rate Control	CBR/VBR
Stream Type	Main Stream/Sub-Stream/Third Stream
Scalable Video Coding (SVC)	H.265 and H.264 support
Region of Interest (ROI)	4 fixed regions for each stream, and dynamic face tracking
Network	
Simultaneous Live View	Up to 20 channels
API	ONVIF (PROFILE S, PROFILE G), ISAPI

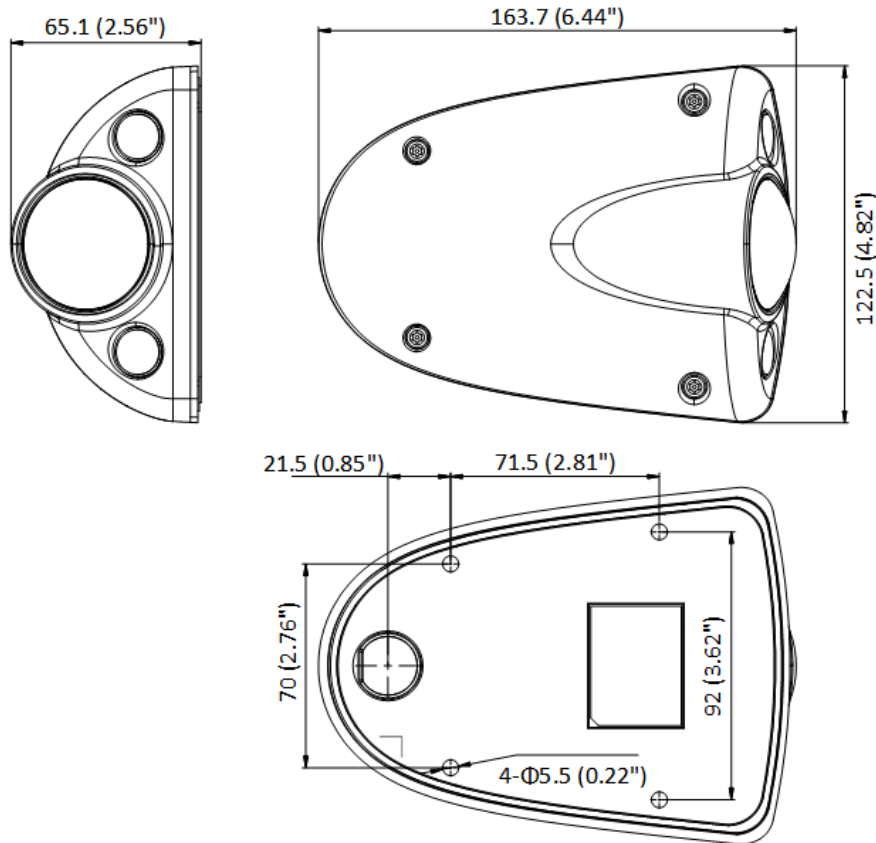
Protocols	TCP/IP, ICMP, HTTP, HTTPS, FTP, DHCP, DNS, DDNS, RTP, RTSP, RTCP, PPPoE, NTP UPnP, SMTP, SNMP, IGMP, 802.1X, QoS, IPv6, Bonjour
Smooth Streaming	Yes
User/Host	Up to 32 users 3 levels: Administrator, Operator and User
Security	Password protection, complicated password, HTTPS encryption, 802.1X authentication (EAP-TLS, EAP-LEAP, EAP-MD5), watermark, IP address filter, basic and digest authentication for HTTP/HTTPS, WSSE and digest authentication for ONVIF, RTP/RTSP OVER HTTPS, Control Timeout Settings, Security Audit Log, TLS 1.2
Network Storage	NAS (NFS, SMB/CIFS), auto network replenishment (ANR)
Client	iVMS-4200, Hik-Connect, Hik-Central
Web Browser	Plug-in required live view: IE8+ Plug-in free live view: Chrome 57.0+, Firefox 52.0+, Safari 11; Local service: Chrome 41.0+, Firefox 30.0-51
Image	
Smart IR	The IR LEDs on camera should support Smart IR function to automatically adjust power to avoid image overexposure.
Day/Night Switch	Day, Night, Auto, Schedule
Picture Overlay	LOGO picture can be overlaid on video with 128 × 128 24bit bmp format
Image Enhancement	BLC, HLC, 3D DNR, Defog, EIS
Image Settings	Rotate mode, saturation, brightness, contrast, sharpness, gain, white balance adjustable by client software or web browser
SNR	> 50dB
Privacy Mask	4 regions of privacy mask
Interface	
Alarm	No
Audio	No
RS-485	No
Video Output	No
On-board Storage	No
Hardware Reset	Yes
Communication Interface	Without -M: 1 RJ45 10M/100M self-adaptive Ethernet port -M: 1 four-core M12 aviation plug
Power Output	No
Heater	Yes
Smart Feature-Set	
Smart Event	Line crossing detection, up to 4 lines configurable Intrusion detection, up to 4 regions configurable Region entrance detection, up to 4 regions configurable Region exiting detection, up to 4 regions configurable Unattended baggage detection, up to 4 regions configurable Object removal detection, up to 4 regions configurable Face detection: detects faces and upload images Scene change detection, defocus detection
General	
Online Upgrade	Yes
Dual Backup	Yes
Firmware Version	5.5.85

Web Client Language	32 languages English, Russian, Estonian, Bulgarian, Hungarian, Greek, German, Italian, Czech, Slovak, French, Polish, Dutch, Portuguese, Spanish, Romanian, Danish, Swedish, Norwegian, Finnish, Croatian, Slovenian, Serbian, Turkish, Korean, Traditional Chinese, Thai, Vietnamese, Japanese, Latvian, Lithuanian, Portuguese (Brazil)
General Function	Anti- flicker, 5 streams and up to 5 custom streams, heartbeat, mirror, privacy masks, flash log, password reset via e-mail, pixel counter
Software Reset	Yes
Embedded Open Platform	No
Linkage Method	Upload to FTP/NAS, notify surveillance center, send email
Storage Conditions	-40 °C to 70 °C (-40 °F to 158 °F), Humidity 95% or less (non-condensing)
Startup and Operating Conditions	-40 °C to 70 °C (-40 °F to 158 °F).Humidity 95% or less (non-condensing)
Power Supply	-ID, -IDM: 24 VDC ± 25%, two-core terminal block, reverse polarity protection; -I/ND, -IM/ND: PoE: 802.3af, Type 1 Class 0
Power Consumption and Current	-ID, -IDM: 24 VDC, 0.36 A, max. 8.6 W -I/ND, -IM/ND: PoE: (802.3af, 36 V to 57 V), 0.25 A to 0.15 A, max. 8.8 W
Power Interface	-I/ND: RJ45 interface, PoE power supply -ID: Ø5.5 mm coaxial power plug, DC power supply -IDM: two-core Molex connector, DC power supply -IM/ND: four-core M12 aviation plug, PoE power supply
Material	ADC12
Screw Material	SUS
Camera Dimension	163.7 × 122.6 × 65.1 mm (6.4" × 4.8" × 2.6")
Package Dimension	252 × 190 × 108 mm(9.9" × 7.5" × 4.3")
Camera Weight	850 g (1.9 lb.)
With Package Weight	1200 g (2.6 lb.)
Approval	
Class	Class B
EMC	FCC (47 CFR Part 15, Subpart B); CE-EMC (2014/30/EC, EN 55032: 2015, EN 61000-3-2: 2014, EN 61000-3-3: 2013, EN 50130-4); RCM (AS/NZS CISPR 32); IC (ICES-003); KC (KN 32: 2015, KN 35, K 60950-1); E-MARK (ECE R10.05);FCC
Safety	UL (UL 60950-1); CB (IEC 60950-1); CE-LVD (2014/35/EU or 2001/95/EC, EN60950-1); LOA;UL (UL
Environment	CE-ROHS (2011/65/EU IEC 62321); REACH (Regulation (EC) No 1907/2006); WEEE (2012/19/EU);
Protection	IP68 (IEC 60529-2013), IK10 (IEC 62262:2002)
Automotive and Railway	EN50155-2017(EN 50155:2017, EN 50121-3-2:2016, IEC 60068-2-1:2007, IEC 60068-2-2:2007, IEC 60068-2-30:2005, IEC 61373:2010); EN45545 (EN 45545-2:2013+A1:2015); E-MARK (ECE R10)

▪ Available Model

DS-2XM6512G0-IDM(2.8/4/6 mm), DS-2XM6512G0-ID(2.8/4/6 mm), DS-2XM6512G0-IM/ND(2.8/4/6 mm), DS-2XM6512G0-I/ND(2.8/4/6 mm)

▪ Dimension



Unit: mm (inch)

Distributed by



HIKVISION®

Headquarters

No.555 Qianmo Road, Binjiang District,
Hangzhou 310051, China
T +86-571-8807-5998
overseasbusiness@hikvision.com

Hikvision USA
T +1-909-895-0400
sales.usa@hikvision.com

Hikvision Australia
T +61-2-8599-4233
salesau@hikvision.com

Hikvision India
T +91-22-28469900
sales@pramahikvision.com

Hikvision Canada
T +1-866-200-6690
sales.canada@hikvision.com

Hikvision Thailand
T +662-275-9949
sales.thailand@hikvision.com

Hikvision Europe
T +31-23-5542770
sales.eu@hikvision.com

Hikvision Italy
T +39-0438-6902
info.it@hikvision.com

Hikvision Brazil
T +55 11 3318-0050
Latam.support@hikvision.com

Hikvision Turkey
T +90 (216)521 7070- 7074
sales.tr@hikvision.com

Hikvision Malaysia
T +601-7652-2413
sales.my@hikvision.com

Hikvision UK & Ireland
T +01628-902140
sales.uk@hikvision.com

Hikvision South Africa
Tel: +27 (10) 0351172
sale.africa@hikvision.com

Hikvision France
T +33(0)1-85-330-450
info.fr@hikvision.com

Hikvision Kazakhstan
T +7-727-9730667
nikia.panfilov@hikvision.ru

Hikvision Vietnam
T +84-974270888
sales.vt@hikvision.com

Hikvision UAE
T +971-4-4432090
salesme@hikvision.com

Hikvision Singapore
T +65-6684-4718
sg@hikvision.com

Hikvision Spain
T +34-91-737-16-55
info.es@hikvision.com

Hikvision Tashkent
T +99-87-1238-9438
uzb@hikvision.ru

Hikvision Hong Kong
T +852-2151-1761
info.hk@hikvision.com

Hikvision Russia
T +7-495-669-67-99
saleru@hikvision.com

Hikvision Korea
T +82-(0)31-731-8817
sales.korea@hikvision.com

Hikvision Poland
T +48-22-460-01-50
info.pl@hikvision.com

Hikvision Indonesia
T +62-21-2933759
Sales.Indonesia@hikvision.com

Hikvision Colombia
sales.colombia@hikvision.com