

DS-2XM6122G0-I(M)(/ND)(AE) 2 MP Mobile Network Camera



- High quality imaging with 2 MP resolution
- Clear imaging against strong back light due to 120 dB true WDR technology
- Efficient H.265+ compression technology
- Water and dust resistant (IP66) and vandal proof (IK08)
- Advanced streaming technology that enables smooth live view and data self-correcting in poor network
- 3D DNR technology delivers clean and sharp images



▪ Specification

| Camera | |
|-----------------------------|--|
| Image Sensor | 1/2.8" Progressive Scan CMOS |
| Min. Illumination | 0.01 Lux @(F1.2, AGC ON), 0 Lux with IR |
| Shutter Speed | 1/3 s to 1/100,000 s |
| Slow Shutter | no |
| P/N | P/N |
| Wide Dynamic Range | 120dB |
| Day & Night | IR cut filter |
| Power-off Memory | Yes |
| Angle Adjustment | Pan: 0° to 355°, tilt: 0° to 75°, rotate: 0° to 355° |
| Lens | |
| Focus | No |
| Lens Type & FOV | 4 mm: horizontal FOV 77°, vertical FOV 42°, diagonal FOV 91° 6 mm: horizontal FOV 50°, vertical FOV 27°, diagonal FOV 59° |
| Aperture | 4 mm: F1.6 6 mm: F1.6 |
| Lens Mount | M12 |
| Illuminator | |
| IR Range | Up to 10 m |
| Wavelength | 850 nm |
| Smart Supplement Light | Yes |
| Video | |
| Max. Resolution | 1920 × 1080 |
| Main Stream | 50Hz: 25fps (1920 × 1080, 1280 × 960, 1280 × 720) 60Hz: 30fps (1920 × 1080, 1280 × 960, 1280 × 720) |
| Sub-Stream | 50Hz: 25fps (704 × 576, 640 × 480, 352 × 288, 320 × 240) 60Hz: 30fps (704 × 576, 640 × 480, 352 × 288, 320 × 240) |
| Video Compression | Main Stream: H.265/H.264 Sub-Stream: H.265/H.264/MJPEG Third Stream: H.265/H.264 |
| Video Bit Rate | 256 Kbps to 8 Mbps |
| H.264 Type | Baseline Profile/Main Profile/High Profile |
| H.265 Type | Main Profile |
| H.264+ | Main Stream supports |
| H.265+ | Main Stream supports |
| Bit Rate Control | CBR/VBR |
| Stream Type | Main Stream/Sub-Stream |
| Scalable Video Coding (SVC) | H.265 and H.264 support |
| Region of Interest (ROI) | 1 fixed regions for each stream |
| Audio | |
| Environment Noise Filtering | Yes |
| Audio Sampling Rate | 16 kHz |
| Audio Compression | G.711ulaw/G.711alaw /G.726/ |
| Audio Bit Rate | 64Kbps |
| Audio Type | Mono sound |
| Network | |
| Simultaneous Live View | Up to 20 channels |
| API | ONVIF (PROFILE S, PROFILE G), ISAPI |

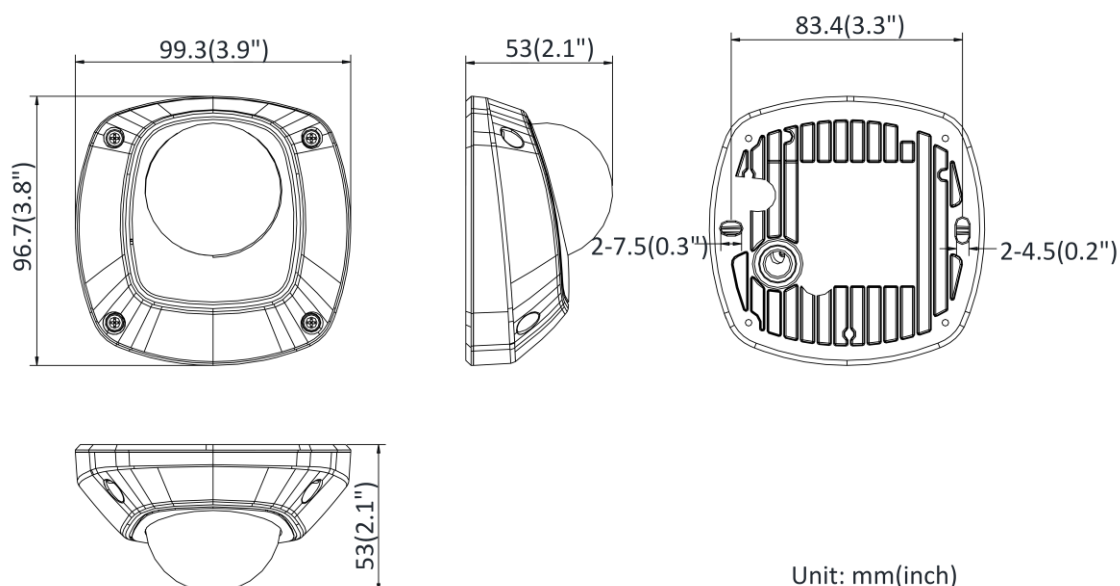
| | |
|----------------------------------|---|
| Protocols | TCP/IP, ICMP, HTTP, DHCP, DNS, RTP, RTSP, RTCP, NTP, SNMP, QoS, |
| Smooth Streaming | Yes |
| User/Host | Up to 32 users 3 levels: Administrator, Operator and User |
| Client | no |
| Web Browser | Plug-in required live view: IE10; |
| Image | |
| Smart IR | The IR LEDs on camera should support Smart IR function to automatically adjust power to avoid image overexposure. |
| Day/Night Switch | Day, Night, Auto, Schedule |
| Target Cropping | no |
| DNR | 3D DNR |
| Picture Overlay | no |
| Image Enhancement | BLC, 3D DNR, |
| Image Parameters Switch | Yes |
| Image Settings | saturation, brightness, contrast, sharpness, gain, white balance adjustable by client software or web browser |
| SNR | > 50dB |
| Privacy Mask | no |
| Interface | |
| Alarm | No |
| Audio | 1 built-in microphone |
| RS-485 | No |
| Video Output | No |
| Hardware Reset | Yes |
| Communication Interface | Without -M: 1 RJ45 10M/100M self-adaptive Ethernet port -M: 1 four-core M12 aviation plug |
| Power Output | No |
| Heater | No |
| General | |
| Online Upgrade | Yes |
| Dual Backup | Yes |
| Firmware Version | 1.2.1 |
| Web Client Language | English |
| Software Reset | Yes |
| Embedded Open Platform | No |
| Linkage Method | Upload to memory card, notify surveillance center |
| Startup and Operating Conditions | -30 °C to 75 °C (-22 °F to 167 °F). Humidity 95% or less (non-condensing) |
| Power Supply | -I/ND, -IM/ND: PoE (802.3af, 36 V to 57 V) |
| Power Consumption and Current | -I/ND, -IM/ND: PoE(802.3af, 36 V to 57 V), 0.2 A to 0.1 A, class 3 |
| Power Interface | -I/ND: RJ45 interface, PoE power supply -IM/ND: four-core M12 aviation plug, PoE power supply |
| Material | ADC12/PC |
| Screw Material | SUS |
| Camera Dimension | 99.3 × 96.7 × 52.8 mm (3.9" × 3.8" × 2.1") |
| Package Dimension | 252 × 160 × 95mm (9.9" × 6.3" × 3.7") |
| Camera Weight | 430 g (0.9 lb.) |
| With Package Weight | 780 g (1.7 lb.) |

| Approval | |
|------------------------|--|
| Class | Class B |
| EMC | FCC (47 CFR Part 15, Subpart B); CE-EMC (EN 55032: 2015, EN 61000-3-2: 2014, EN 61000-3-3: 2013, EN 50130-4: 2011 +A1: 2014); RCM (AS/NZS CISPR 32: 2015); IC (ICES-003: Issue 6, 2016); KC (KN 32: 2015, KN 35: 2015) |
| Safety | UL (UL 60950-1); CB (IEC 60950-1:2005 + Am 1:2009 + Am 2:2013); CE-LVD (EN 60950-1:2005 + Am 1:2009 + Am 2:2013); BIS (IS 13252(Part 1):2010+A1:2013+A2:2015); LOA (IEC/EN 60950-1) |
| Environment | CE-RoHS (2011/65/EU); WEEE (2012/19/EU); Reach (Regulation (EC) No 1907/2006) |
| Protection | IP66 (IEC 60529-2013), IK08(IEC 62262:2002) |
| Automotive and Railway | EN50155-2017(EN 50155:2017, EN 50121-3-2:2016, IEC 60068-2-1:2007, IEC 60068-2-2:2007, IEC 60068-2-30:2005, IEC 61373:2010); EN45545 (EN 45545-2:2013+A1:2015); E-MARK (ECE R10) |

▪ Available Model

DS-2XM6122G0-IM/ND(AE)(4/6 mm), DS-2XM6122G0-I/ND(AE)(4/6 mm)

▪ Dimension





Distributed by



HIKVISION®

Headquarters

No.555 Qianmo Road, Binjiang District,
Hangzhou 310051, China
T +86-571-8807-5998
overseasbusiness@hikvision.com

Hikvision USA

T +1-909-895-0400
sales.usa@hikvision.com

Hikvision Australia

T +61-2-8599-4233
salesau@hikvision.com

Hikvision India

T +91-22-28469900
sales@pramahikvision.com

Hikvision Canada

T +1-866-200-6690
sales.canada@hikvision.com

Hikvision Thailand

T +662-275-9949
sales.thailand@hikvision.com

Hikvision Europe

T +31-23-5542770
sales.eu@hikvision.com

Hikvision Italy

T +39-0438-6902
info.it@hikvision.com

Hikvision Brazil

T +55 11 3318-0050
Latam.support@hikvision.com

Hikvision Turkey

T +90 (216)521 7070- 7074
sales.tr@hikvision.com

Hikvision Malaysia

T +601-7652-2413
sales.my@hikvision.com

Hikvision UK & Ireland

T +01628-902140
sales.uk@hikvision.com

Hikvision South Africa

Tel: +27 (10) 0351172
sale.africa@hikvision.com

Hikvision France

T +33(0)1-85-330-450
info.fr@hikvision.com

Hikvision Kazakhstan

T +7-727-9730667
nikia.panfilov@hikvision.ru

Hikvision Vietnam

T +84-974270888
sales.vt@hikvision.com

Hikvision UAE

T +971-4-4432090
salesme@hikvision.com

Hikvision Singapore

T +65-6684-4718
sg@hikvision.com

Hikvision Spain

T +34-91-737-16-55
info.es@hikvision.com

Hikvision Tashkent

T +99-87-1238-9438
uzb@hikvision.ru

Hikvision Hong Kong

T +852-2151-1761
info.hk@hikvision.com

Hikvision Russia

T +7-495-669-67-99
saleru@hikvision.com

Hikvision Korea

T +82-(0)31-731-8817
sales.korea@hikvision.com

Hikvision Poland

T +48-22-460-01-50
info.pl@hikvision.com

Hikvision Indonesia

T +62-21-2933759
Sales.Indonesia@hikvision.com

Hikvision Colombia

sales.colombia@hikvision.com