



TURBO HD

TVI Turret Camera

User Manual

UD.6L0201D1960A02

Thank you for purchasing our product. If there are any questions, or requests, please do not hesitate to contact the dealer.

This manual may contain several technical incorrect places or printing errors, and the content is subject to change without notice. The updates will be added to the new version of this manual. We will readily improve or update the products or procedures described in the manual.

Privacy Notice

Surveillance laws vary by jurisdiction. Check all relevant laws in your jurisdiction before using this product for surveillance purposes to ensure that your use of this product conforms.

Please refer to the product specification for camera parameters and functions.

Regulatory Information

FCC Information


FCC compliance: This equipment has been tested and found to comply with the limits for a digital device, pursuant to part 15 of the FCC Rules. These limits are designed to provide reasonable protection against harmful interference when the equipment is operated in a commercial environment. This equipment generates, uses, and can radiate radio frequency energy and, if not installed and used in accordance with the instruction manual, may cause harmful interference to radio communications. Operation of this equipment in a residential area is likely to cause harmful interference in which case the user will be required to correct the interference at his own expense.

FCC Conditions

This device complies with part 15 of the FCC Rules. Operation is subject to the following two conditions:

1. This device may not cause harmful interference.
2. This device must accept any interference received, including interference that may cause undesired operation.

EU Conformity Statement

 This product and - if applicable - the supplied accessories too are marked with "CE" and comply therefore with the applicable harmonized European

standards listed under the Low Voltage Directive 2006/95/EC, the EMC Directive 2004/108/EC, the RoHS Directive 2011/65/EU.



2012/19/EU (WEEE directive):

Products marked with this symbol cannot be disposed of as unsorted municipal waste in the European Union. For proper recycling, return this product to your local supplier upon the purchase of equivalent new equipment, or dispose of it at designated collection points.

For more information see: www.recyclethis.info.



2006/66/EC (battery directive): This product contains a battery that cannot be disposed of as unsorted municipal waste in the European Union.

See the product documentation for specific battery information. The battery is marked with this symbol, which may include lettering to indicate cadmium (Cd), lead (Pb), or mercury (Hg). For proper recycling, return the battery to your supplier or to a designated collection point. For more information see: www.recyclethis.info.

1 Introduction

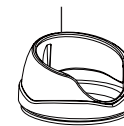
1.1 Product Features

This series of camera adopts new generation sensor with high sensitivity and advanced circuit design technology. It features high resolution, low image distortion and low noise, etc., which makes it suitable for surveillance system and image processing system.

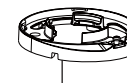
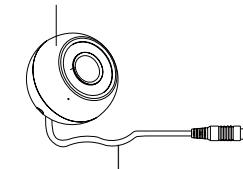
- High performance CMOS sensor and high resolution bring high-quality image;
- Low illumination;
- Support auto white balance, auto gain control,
- Unit transmission control;
- Advanced 3-axis design meets different installation requirements.

1.2 Overview

Enclosure



Camera



Mounting Base

Power&Video&Audio Cable

2 Installation

Before you start:

- Please make sure that the device in the package is in good condition and all the assembly parts are included.
- Make sure that all the related equipment is power-off during the installation.
- Check the specification of the products for the installation environment.
- Check whether the power supply is matched with your power output to avoid damage.
- Please make sure the wall is strong enough to withstand three times the weight of the camera and the mounting.
- If the wall is the cement wall, you need to insert expansion screws before you install the camera. If the wall is the wooden wall, you can use self-tapping screw to secure the camera.
- If the product does not function properly, please contact your dealer or the nearest service center. Do not disassemble the camera for repair or maintenance by yourself.

2.1 Ceiling Mounting

Steps:

1. Drill the screw holes according to the drill template.

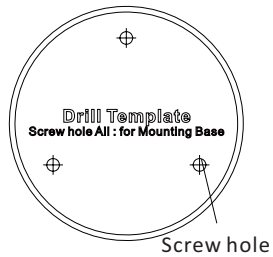


Figure 2-1 The Drill Template

2. Screw the clip plate onto the mounting base loosely.

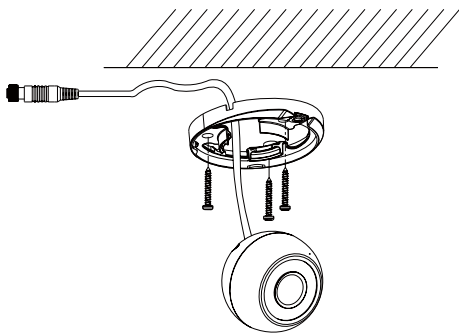


Figure 2-2 Screw the Clip Plate

3. Fix the mounting base to the ceiling with the supplied screws.
4. Route the cables to the cable hole and connect the corresponding power cable and video cable.
5. Pull out the clip plate and secure the camera with the trim ring to the mounting base.
6. Push the clip plate in and tighten the lock screw to secure the trim ring.

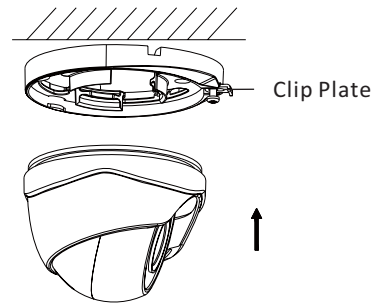


Figure 2-3 Fix the the Camera

6. Adjust the camera according to the figure below to get an optimum angle.

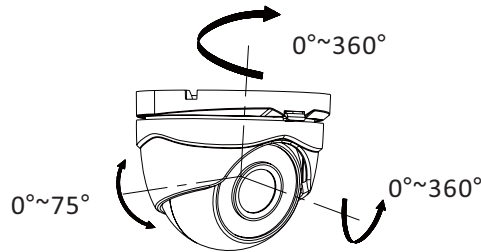


Figure 2-4 3-axis Adjustment

3 Appendix

3.1 Glossary



The glossary gives brief explanations to the basic operation principle or the basic function of the camera. However, it doesn't mean the listed functions are all supported by the cameras mentioned in this manual. Please take the function in the corresponding specification as the standard.

Definition:

Definition is the degree to distinguish the edge between two parts clearly.

Contrast:

Contrast is the color difference between the brightest and darkest parts.

Saturation:

Saturation is the degree of color purity. The color is purer, the, the image is brighter.

DAY/NIGHT Auto Switch:

The cameras deliver color images during the day. And as light diminishes at night, the cameras switch to night mode and deliver black and white images with high quality.

AGC:

AGC is a control circuit that automatically changes the gain of a receiver or other piece of equipment, so that the desired output signal remains essentially. When under low illumination, AGC will regulate the gain and amplification of the video signal.

S/N ratio:

It is the ratio of Signal voltage and noise voltage. The ratio is larger, the effect of noise is less, and the image is clearer.

White Balance:

White balance can remove the unrealistic color casts. White balance is the white rendition function of the camera to adjust the color temperature according to the environment automatically.

BLC:

If you focus on an object against strong backlight, the object will be too dark to be seen clearly. The BLC (Backlight Compensation) function can compensate light to the object in the front to make it clear, but this causes the over-exposure of the background where the light is strong.

ICR Auto Switch:

The filter will filter infrared light during the daytime and change to normal filter at night to ensure a high sensitivity and clear image.

3.2 Technical Maintenance

Lens Maintenance

The lens surface is plated an anti-reflection coating. The dust, oil and finger print, etc. will cause scratch, mildew and performance degraded. Please refer to the following method to clean the lens.

●Handling dust

Use oil free soft brush or blowing dust ball to clean the dust.

●Handling oil

Steps:

1. Wipe off the water-drop or oil by soft cloth and dry the lens.
2. Use oil free cotton cloth or lens clean paper to wipe the lens from center to outside with alcohol or detergent.
3. Change the cloth to wipe the lens until the lens is clean.

Glass Maintenance of IR Camera

Steps:

1. Wipe off the dust, water-drop or oil by soft cloth and dry the glass.
2. Use oil free cotton cloth or glass clean paper to wipe the glass from center to outside with alcohol or detergent.
3. Change the cloth to wipe the glass until the glass is clean.