

DS-MP1451

USB to Serial Port Converter



Functional Characteristics:

- Multi-channel serial port extension: USB port converted to Max. 4 channel serial ports output;
- Stable power supply output: Support power supply for 2~4 devices with 5V

Application Scenarios:

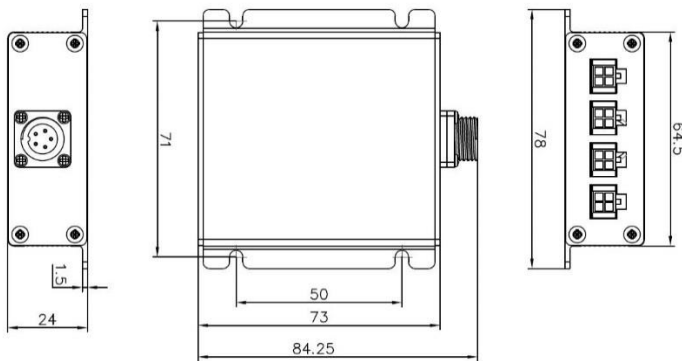
Suitable for buses, taxi, school bus which requires multi-channel serial ports

Order Model:

DS-MP1451

DS-MP1451-1

Overall Dimensions:



Technical Parameters:

Model	DS-MP1451
Input Interface	USB interface, 5 pin aviation connector
Output Interface	Four serial ports, 232/485, (half duplex RS485) DS-MP1451: 4*RS232 DS-MP1451-1 : 3*232 +1*RS485
Size	90mm×80mm×25mm
Working Temperature	-10°C ~ +55°C
Working Humidity	10%~95%