

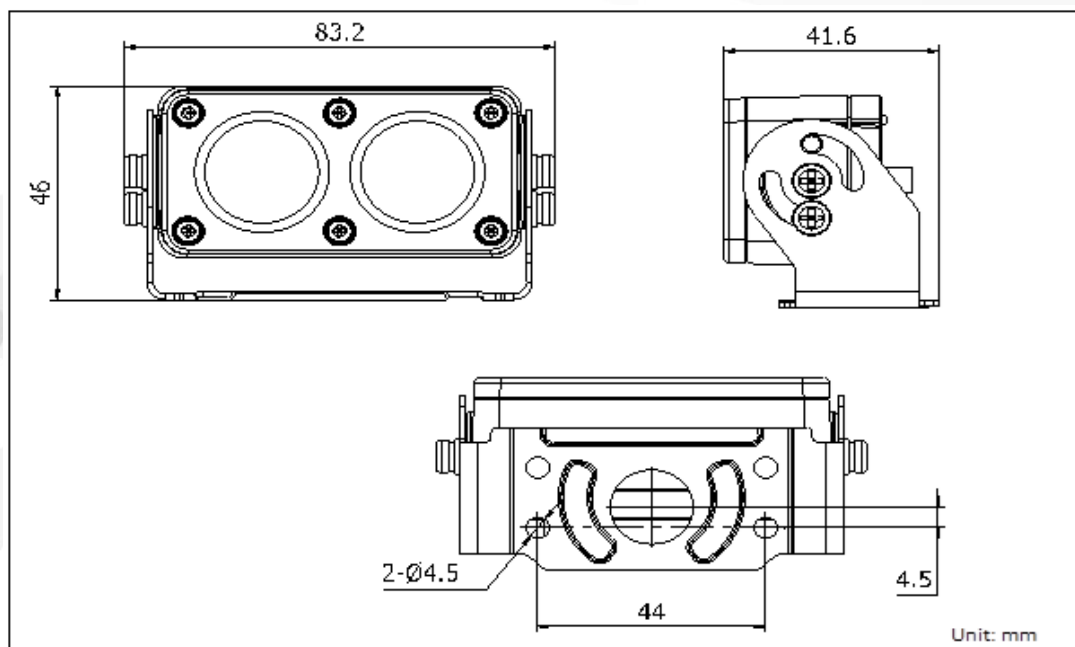
## AE-VC053P(N)-IT 700TVL IR Waterproof Backup Camera

### Key Features

- High resolution
- 0.1 lux @ (F1.2, AGC ON), 0 lux with IR
- Supports auto electronic day & night switch
- Supports auto day & night switch
- Supports right & left monitor mode
- Up to IP 68 protection level
- Anti-vibration design and aviation port for mobile environments



### Dimensions



## Specifications

<b>Model</b>	AE-VC053P(N)-IT
<b>Camera</b>	
<b>Image sensor</b>	Progressive Scan CMOS
<b>Signal system</b>	PAL, NTSC
<b>Min. illumination</b>	0.1 Lux @ (F1.2, AGC ON) ,0 Lux with IR
<b>Shutter time</b>	1/50 s to 1/100,000 s
<b>Lens</b>	3.6 mm (2.8 mm optional)
<b>Lens mount</b>	M 12
<b>Angle adjustment</b>	Tilt: 0° to 90°
<b>Day &amp; Night</b>	Electronic
<b>Horizontal definition</b>	700 TVL
<b>Synchronization</b>	Internal
<b>S/N ratio</b>	> 62 dB
<b>Interfaces</b>	
<b>Video output</b>	1 Vp-p Composite Output (Aviation Plug)
<b>Aviation plug order</b>	1 – Video, 2 – Grounding, 3 – Power, 4 - Grounding
<b>General</b>	
<b>Working temperature</b>	-40 °C to 75 °C (-40 °F to 167 °F)
<b>Working humidity</b>	90%
<b>Power supply</b>	6 VDC to 16 VDC
<b>Power consumption</b>	Max. 2.5 W
<b>IR range</b>	10 m to 20 m
<b>Protection level</b>	IP 68
<b>Dimension (L x W x H)</b>	83.2 mm x 46 mm x 41.6 mm (3.28 " x 1.81" x 1.64")
<b>Weight</b>	200 g (0.0002 t)

## Available Model

AE-VC053P(N)-IT

Distributed by

**HIKVISION®****Headquarters**

No.555 Qianmo Road, Binjiang District,  
Hangzhou 310051, China  
T +86-571-8807-5998  
overseasbusiness@hikvision.com

**Hikvision USA**  
T +1-909-895-0400  
sales.usa@hikvision.com

**Hikvision Australia**  
T +61-2-8599-4233  
salesau@hikvision.com

**Hikvision India**  
T +91-22-28469900  
sales@pramahikvision.com

**Hikvision Canada**  
T +1-866-200-6690  
sales.canada@hikvision.com

**Hikvision Thailand**  
T +662-275-9949  
sales.thailand@hikvision.com

**Hikvision Europe**  
T +31-23-5542770  
sales.eu@hikvision.com

**Hikvision Italy**  
T +39-0438-6902  
info.it@hikvision.com

**Hikvision Brazil**  
T +55 11 3318-0050  
Letam.support@hikvision.com

**Hikvision Turkey**  
T +90 (216)521 7070- 7074  
sales.tr@hikvision.com

**Hikvision Malaysia**  
T +601-7652-2413  
sales.my@hikvision.com

**Hikvision UK & Ireland**  
T +01628-902140  
sales.uk@hikvision.com

**Hikvision South Africa**  
Tel: +27 (10) 0351172  
sale.africa@hikvision.com

**Hikvision France**  
T +33(0)1-85-330-450  
info.fr@hikvision.com

**Hikvision Kazakhstan**  
T +7-727-9730667  
nikia.panfilov@hikvision.ru

**Hikvision Vietnam**  
T +84-974270888  
sales.vt@hikvision.com

**Hikvision UAE**  
T +971-4-4432090  
salesme@hikvision.com

**Hikvision Singapore**  
T +65-6684-4718  
sg@hikvision.com

**Hikvision Spain**  
T +34-91-737-16-55  
info.es@hikvision.com

**Hikvision Tashkent**  
T +99-87-1238-9438  
uzb@hikvision.ru

**Hikvision Hong Kong**  
T +852-2151-1761  
info.hk@hikvision.com

**Hikvision Russia**  
T +7-495-669-67-99  
saleru@hikvision.com

**Hikvision Korea**  
T +82-(0)31-731-8817  
sales.korea@hikvision.com

**Hikvision Poland**  
T +48-22-460-01-50  
info.pl@hikvision.com

**Hikvision Indonesia**  
T +62-21-2933759  
Sales.Indonesia@hikvision.com

**Hikvision Colombia**  
sales.colombia@hikvision.com