

DS-2XM6736G0-(IDS)(IS/ND) 3 MP IR Mobile Dome Network Camera



smart IPC

- 1/3" Progressive Scan CMOS
- 2304 × 1296 @ 30fps
- 2/2.8/4/6/8 mm fixed lens
- Three streams
- 120dB WDR
- 3D DNR
- 4 behavior analyses, and face detection
- ROI
- IP67, IK10
- H.265, H.265+



Specifications

Camera	
Image Sensor	1/3" Progressive Scan CMOS
Min. Illumination	Color: 0.018 Lux @ (F1.6, AGC ON)
Shutter Speed	1/3 s to 1/100,000 s
Slow Shutter	Yes
Day & Night	IR Cut Filter
WDR	120 dB
Angle Adjustment	Pan: -30° to +30°, Tilt: 0° to 75°, Rotate: 0° to 360°
Lens	
Lens Type	Fixed lens, 2/2.8/4/6/8 mm
Aperture	2 mm, F2.25, 2.8/4/6 mm, F2.0, 8 mm, F1.6,
FOV	2 mm, horizontal FOV 122.6°, vertical FOV 71.7°, diagonal FOV 139.9° 2.8 mm, horizontal FOV 100.6°, vertical FOV 55.1°, diagonal FOV 117.4° 4 mm, horizontal FOV 75.3°, vertical FOV 41.4°, diagonal FOV 88.2° 6 mm, horizontal FOV 51.6°, vertical FOV 28.8°, diagonal FOV 59.5° 8 mm, horizontal FOV 37.5°, vertical FOV 20.7°, diagonal FOV 43.3°
Lens Mount	M12
Illuminator	
IR Range	up to 30 m
Wavelength	850 nm
Video	
Max. Resolution	2304 × 1296
Main Stream	50Hz:25fps (2304 × 1296, 1920 × 1080, 1280 × 720) 60Hz: 30fps (2304 × 1296, 1920 × 1080, 1280 × 720)
Sub Stream	50Hz: 25fps (640 × 480, 640 × 360, 320 × 240) 60Hz: 30fps (640 × 480, 640 × 360, 320 × 240)
Third Stream	50Hz: 25fps (1280 × 720, 640 × 360, 352 × 288) 60Hz: 30fps (1280 × 720, 640 × 360, 352 × 240)
Video Compression	Main stream: H.265+/H.265/H.264+/H.264 Sub-stream: H.265/H.264/MJPEG Third stream: H.265/H.264
H.264 Type	Main Profile/High Profile
H.264+	Main stream support.
H.265 Type	Main Profile
H.265+	Main stream support.
Video Bit Rate	32 Kbps to 16 Mbps
SVC	H.264 and H.265 encoding
Audio	
Audio Compression	G.711/G.722.1/G.726/MP2L2/PCM/MP3
Audio Bit Rate	64Kbps(G.711)/16Kbps(G.722.1)/16Kbps(G.726)/32-192Kbps(MP2L2)/32Kbps(PCM)/8Kbps-320Kbps(MP3)
Environment Filtering	Noise Yes

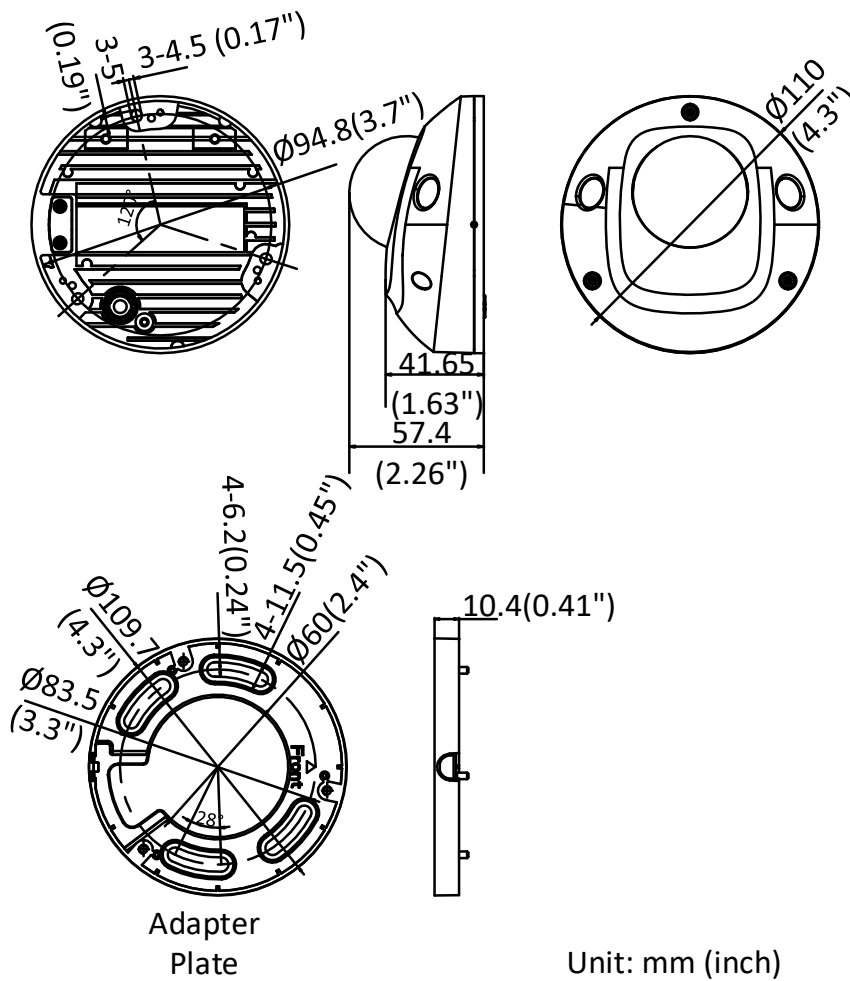
Audio Sampling Rate	8 kHz/16 kHz/32 kHz/44.1 kHz/48 kHz
Smart Feature-set	
Smart Event	Line crossing detection, up to 1 line configurable Intrusion detection, up to 1 region configurable Unattended baggage detection, up to 1 region configurable Object removal detection, up to 1 region configurable Face detection: detects faces and upload images
Basic Event	Motion detection, video tampering alarm, exception (network disconnected, IP address conflict, illegal login, HDD full, HDD error)
Linkage Method	Upload to FTP/NAS/memory card, notify surveillance center, send email, trigger alarm output, trigger recording, trigger capture
Region of Interest	1 fixed region for main stream and sub stream
Image	
Image Enhancement	BLC, HLC, 3D DNR
Image Setting	Rotate mode, saturation, brightness, contrast, sharpness adjustable by client software or web browser
Day/Night Switch	Day/Night/Auto/Schedule/Triggered by alarm in
Network	
Network Storage	microSD/SDHC/SDXC card (up to 128 GB), local storage and NAS (NFS,SMB/CIFS), ANR Together with high-end Hikvision memory card, memory card encryption and health detection are supported.
Protocols	TCP/IP, ICMP, HTTP, HTTPS, FTP, DHCP, DNS, DDNS, RTP, RTSP, RTCP, PPPoE, NTP, UPnP, SMTP, SNMP, IGMP, 802.1X, QoS, IPv6, UDP, Bonjour, SSL/TLS
API	ONVIF (PROFILE S, PROFILE G), ISAPI, SDK
Security	Password protection, complicated password, HTTPS encryption, 802.1X authentication (EAP-MD5), watermark, IP address filter, basic and digest authentication for HTTP/HTTPS, WSSE and digest authentication for ONVIF, TLS1.2
Simultaneous Live View	Up to 6 channels
User/Host	Up to 32 users. 3 user levels: administrator, operator and user
Client	iVMS-4200, Hik-Connect, Hik-Central
Web Browser	Plug-in required live view: IE8+, Chrome 41.0-44, Mozilla Firefox30.0-51, Safari8.0-11 Plug-in free live view: Chrome 45+, Mozilla Firefox52+
Interface	
Communication Interface	1 RJ45 10M/100M Ethernet port
Audio	1 built-in mic, mono sound
Alarm	1 input, 1 output (12 VDC, 30 mA)
Interface Style	Pigtail style interface
On-board storage	Built-in micro SD/SDHC/SDXC slot, up to 128 GB
General	
Firmware Version	5.5.83
Web Client Language	32 languages English, Russian, Estonian, Bulgarian, Hungarian, Greek, German, Italian, Czech, Slovak, French, Polish, Dutch, Portuguese, Spanish, Romanian, Danish, Swedish, Norwegian, Finnish, Croatian, Slovenian, Serbian, Turkish, Korean, Traditional Chinese, Thai, Vietnamese, Japanese, Latvian, Lithuanian, Portuguese (Brazil)
General Function	Anti-flicker, 3 streams, heartbeat, mirror, privacy mask
Reset	Reset via reset button on camera body, web browser and client software
Startup and Operating Conditions	-30 °C to 60 °C (-22 °F to 140 °F), Humidity 95% or less (non-condensing)
Storage Conditions	-30 °C to 60 °C (-22 °F to 140 °F), Humidity 95% or less (non-condensing)

Power Supply	-IDS: 24 VDC is recommended, support 8 to 36 VDC, Φ 5.5mm coaxial power plug -IS/ND: PoE: 802.3af, Class 3
Power Consumption and Current	-IDS: 24 VDC, 0.3 A, max. 7.5 W -IS/ND: PoE: (802.3af, 36V to 57V), 0.30 A to 0.20 A, max: 7.5W
Material	Metal
Dimensions	Camera: Φ 110 mm \times 57.4 mm (4.3" \times 2.26"), with base: Φ 110 mm \times 69.4 mm (4.3" \times 2.7") With package: 252 mm \times 160 mm \times 95 mm (9.9" \times 6.3" \times 3.7")
Weight	Camera: Approx. 460 g (1 lb.) With package: 900 g (2 lb)
Approval	
EMC	47 CFR Part 15, Subpart B; EN 55032: 2015, EN 61000-3-2: 2014, EN 61000-3-3: 2013, EN 50130-4: 2011 +A1: 2014; AS/NZS CISPR 32: 2015; ICES-003: Issue 6, 2016; KN 32: 2015, KN 35: 2015
Safety	UL 60950-1, IEC 60950-1:2005 + Am 1:2009 + Am 2:2013, EN 60950-1:2005 + Am 1:2009 + Am 2:2013, IS 13252(Part 1):2010+A1:2013+A2:2015
Chemistry	2011/65/EU, 2012/19/EU, Regulation (EC) No 1907/2006
Protection	Ingress protection: IK10 (IEC 62262:2002), IP67 (IEC 60529-2013)
Automotive and Railway	EN 50155-2017: EN 50155: 2017 EN 50121-3-2: 2016 IEC 60068-2-1: 2007 IEC 60068-2-2: 2007 IEC 60068-2-30: 2005 IEC 61373: 2010 EN 45545: EN 45545-2:2013+A1: 2015 E-MARK: ECR R10

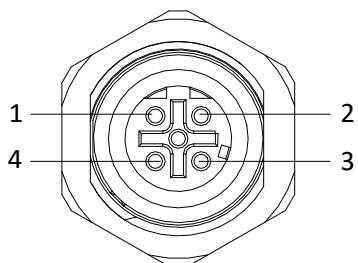
Available Model

DS-2XM6736G0-IDS (2 mm), DS-2XM6736G0-IDS (2.8 mm), DS-2XM6736G0-IDS (4 mm), DS-2XM6736G0-IDS (6 mm), DS-2XM6736G0-IDS (8 mm), DS-2XM6736G0-IS/ND (2 mm), DS-2XM6736G0-IS/ND (2.8 mm), DS-2XM6736G0-IS/ND (4 mm), DS-2XM6736G0-IS/ND (6 mm), DS-2XM6736G0-IS/ND (8 mm)

Dimension



Interface Description



	M12 Wire	R-J45 Wire
TX+	1	1
TX-	3	2
RX+	2	3
RX-	4	6

M12 Interface Description

Distributed by

**HIKVISION®****Headquarters**

No.555 Qianmo Road, Binjiang District,
Hangzhou 310051, China
T +86-571-8807-5998
overseasbusiness@hikvision.com

Hikvision USA
T +1-909-895-0400
sales.usa@hikvision.com

Hikvision Australia
T +61-2-8599-4233
salesau@hikvision.com

Hikvision India
T +91-22-28469900
sales@pramahikvision.com

Hikvision Canada
T +1-866-200-6690
sales.canada@hikvision.com

Hikvision Thailand
T +662-275-9949
sales.thailand@hikvision.com

Hikvision Europe
T +31-23-5542770
sales.eu@hikvision.com

Hikvision Italy
T +39-0438-6902
info.it@hikvision.com

Hikvision Brazil
T +55 11 3318-0050
Latam.support@hikvision.com

Hikvision Turkey
T +90 [216]521 7070- 7074
sales.tr@hikvision.com

Hikvision Malaysia
T +601-7652-2413
sales.my@hikvision.com

Hikvision UK & Ireland
T +01628-902140
sales.uk@hikvision.com

Hikvision South Africa
Tel: +27 [10] 0351172
sale.africa@hikvision.com

Hikvision France
T +33[0]1-85-330-450
info.fr@hikvision.com

Hikvision Kazakhstan
T +7-727-9730667
nikia.panfilov@hikvision.ru

Hikvision Vietnam
T +84-974270888
sales.vt@hikvision.com

Hikvision UAE
T +971-4-4432090
salesme@hikvision.com

Hikvision Singapore
T +65-6684-4718
sg@hikvision.com

Hikvision Spain
T +34-91-737-16-55
info.es@hikvision.com

Hikvision Tashkent
T +99-87-1238-9438
uzb@hikvision.ru

Hikvision Hong Kong
T +852-2151-1761
info.hk@hikvision.com

Hikvision Russia
T +7-495-669-67-99
saleru@hikvision.com

Hikvision Korea
T +82-[0]31-731-8817
sales.korea@hikvision.com

Hikvision Poland
T +48-22-460-01-50
info.pl@hikvision.com

Hikvision Indonesia
T +62-21-2933759
Sales.Indonesia@hikvision.com

Hikvision Colombia
sales.colombia@hikvision.com