

DS-2XM6365G0-IV(S)(M)(/ND) 6 MP IR Network Fisheye Camera



DS-2XM6365G0-IV(S)(M)(/ND) is a fisheye network camera capable of providing a 360-degree panoramic image of its surveillance scene. The progressive scan CMOS sensor provides high-resolution images of up to 3072 × 2048. Up to 15 live view display modes, designed for 3 mount types, meet various user preference. Three independently controlled IR lights offer a range of 15 m and provide good vision in low or even zero-light environment.

- High quality imaging with 6 MP resolution
- Built-in microphone for real-time audio security
- Efficient H.265+ compression technology
- Clear imaging against strong back light due to digital WDR technology
- Smart features 6 behavior analyses, and 1 exception detections
- Up to 15 m IR range



▪ Specification

Camera	
Image Sensor	1/1.8" Progressive Scan CMOS
Max. Resolution	3072 × 2048
Min. Illumination	0.01 Lux @ (F1.2, AGC ON), 0.001 Lux @ (F1.2, AGC ON)
Shutter Time	1 s to 1/100,000 s
Day & Night	Double Band-Pass Filter
Lens	
Focal Length & FOV	1.27 mm, horizontal FOV 180° (wall mount), 360°(ceiling mount)
Lens Mount	M12
Aperture	F2.6
Illuminator	
Supplement Light Type	IR, 3 LEDs. Each LED is independently controlled.
Supplement Light Range	Up to 15 m IR range
IR Wavelength	850 nm
Video	
Main Stream	50Hz: 25fps (3072 × 2048, 2048 × 2048, 1280 × 1280) 60Hz: 30fps (3072 × 2048, 2048 × 2048, 1280 × 1280)
Sub-Stream	50Hz: 25fps (720 × 720) 60Hz: 30fps (720 × 720)
Video Compression	Main stream: H.265+/H.265/H.264+/H.264 Sub-stream: H.265/H.264/MJPEG
Video Bit Rate	32 Kbps to 16 Mbps
H.264 Type	Baseline Profile/ Main Profile /High Profile
H.265 Type	Main Profile
Scalable Video Coding (SVC)	H.265 and H.264 support
Region of Interest (ROI)	4 fixed regions for main stream
Fisheye Display	
Mount Type	Support table, wall, and ceiling mounting
Decoding Mode	Support hardware decoding and software decoding
Display Mode	16 display modes in total Software decoding: Ceiling mount: fisheye view, 180 panorama view, 360 panorama view, 360 panorama + PTZ, 360 panorama + 3PTZ, 360 panorama + 6PTZ, 360 panorama + 8PTZ, 2PTZ, 4PTZ, fisheye + 3PTZ, fisheye +8 PTZ, half sphere Wall mount: fisheye view, panorama view, panorama + 3PTZ, panorama + 8PTZ, 4PTZ, fisheye + 3PTZ, fisheye +8 PTZ Hardware decoding: Ceiling mount: fisheye view, 180 panorama view, panorama view, 4PTZ, fisheye + 3PTZ Wall mount: fisheye view, 180 panorama view, panorama view, 4PTZ, fisheye + 3PTZ
Audio	
Audio Compression	-S: G.711/G.722.1/G.726/MP2L2/PCM
Audio Bit Rate	-S: 64Kbps(G.711)/16Kbps(G.722.1)/16Kbps(G.726)/32-160Kbps(MP2L2)
Audio Sampling Rate	-S: 8 kHz/16 kHz

Environment Noise Filtering	-S: Yes
Network	
Protocols	TCP/IP, ICMP, HTTP, HTTPS, FTP, DHCP, DNS, DDNS, RTP, RTSP, RTCP, PPPoE, NTP, UPnP, SMTP, SNMP, IGMP, 802.1X, QoS, IPv6, UDP, Bonjour
Simultaneous Live View	Up to 20 channels
API	ONVIF (PROFILE S, PROFILE G), ISAPI
User/Host	Up to 32 users. 3 user levels, administrator, operator and user
Security	Password protection, HTTPS encryption, IEEE 802.1x port-based network access control, IP address filter, basic and digest authentication for HTTP/HTTPS, WSSE and digest authentication for ONVIF
Network Storage	Support Micro SD/SDHC/SDXC card (256 G), local storage and NAS (NFS,SMB/CIFS), ANR
Client	iVMS-4200, iVMS-4500, Hik-Connect, iVMS-5200
Web Browser	IE8+, Chrome31.0-44, Firefox 30.0-51, Safari8.0+
Image	
Image Settings	Saturation, brightness, contrast, sharpness, AGC and white balance are adjustable by client software or web browser
Day/Night Switch	Day/Night/Auto/Schedule/Triggered by Alarm In (-S)
Wide Dynamic Range (WDR)	Digital WDR
Image Enhancement	BLC, HLC, defog, 3D DNR
Picture Overlay	LOGO picture can be overlaid on video with 128 × 128 24bit bmp format
Interface	
Ethernet Interface	Without -M: 1 RJ45 10M/100M/1000M self-adaptive Ethernet port With -M: four-core M12 aviation plug
On-Board Storage	Built-in micro SD/SDHC/SDXC slot, up to 256 GB
Built-in Microphone	-S: 2 Built-in microphones
Audio	-S: 1 Audio input (line in, 3.81 mm), 1 audio output (line out, 3.81 mm);
Alarm	-S: 1-ch alarm input, max. 12 VDC; 1-ch alarm output, max 12 VDC, 30 mA
Reset Key	Yes
Event	
Basic Event	Motion detection, video tampering alarm, network disconnected, IP address conflicted, illegal login, HDD full, HDD error
Smart Event	Line crossing detection, intrusion detection, region entrance detection, region exiting detection, unattended baggage detection, object removal detection Audio exception detection
General	
Power	24 VDC, 0.40 A, max. 12 W, two-core terminal block PoE: 802.3af, 36 to 57 VDC, 0.34 A to 0.22 A, max. 12 W /ND: no power interface, only support PoE power supply
Material	Metal
Dimension	∅136 × 61.8 mm (∅5.35" × 2.43")
Weight	Approx. 600 g (1.32 lb.)
Startup and Operating Conditions	-30 °C to +60 °C (-22 °F to +140 °F), Humidity 95% or less (non-condensing)

General Function	One-key reset, anti-flicker, heartbeat, mirror, password protection, privacy mask, watermark, IP address filter
Approval	
EMC	FCC (47 CFR Part 15, Subpart B); CE-EMC (EN 55032: 2015, EN 61000-3-2: 2014, EN 61000-3-3: 2013, EN 50130-4: 2011 +A1: 2014); RCM (AS/NZS CISPR 32: 2015); IC (ICES-003: Issue 6, 2016); KC (KN 32: 2015, KN 35: 2015)
Safety	UL (UL 60950-1); CB (IEC 60950-1:2005 + Am 1:2009 + Am 2:2013); CE-LVD (EN 60950-1:2005 + Am 1:2009 + Am 2:2013); BIS (IS 13252(Part 1):2010+A1:2013+A2:2015)
Environment	CE-RoHS (2011/65/EU); WEEE (2012/19/EU); Reach (Regulation (EC) No 1907/2006)
Protection	IP66 (IEC 60529-2013), IK10 (IEC 62262: 2002)
Automotive and Railway	EMARK/EN45545/EN50155-2017/R118

Available Model

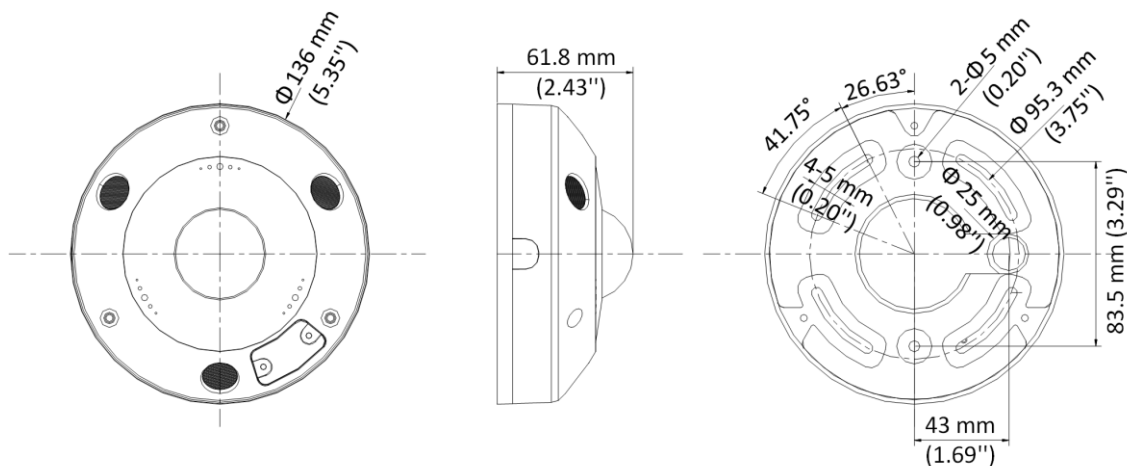
DS-2XM6365G0-IVS (1.27 mm), DS-2XM6365G0-IV (1.27 mm), DS-2XM6365G0-IVM (1.27 mm), DS-2XM6365G0-IVM/ND (1.27 mm)

***-S*: supports 1 alarm input, 1 alarm output, 1 audio input, 1 audio output

***-M*: supports M12 aviation plug

***-ND*: no power interface, only support PoE power supply

Dimension



- **Accessory**
- **Included**

DA-13-000712

Adapter plate



- **Optional**

DS-1273ZJ-135

Wall Mount



Distributed by

**HIKVISION®****Headquarters**

No.555 Qianmo Road, Binjiang District,
Hangzhou 310051, China
T +86-571-8807-5998
overseasbusiness@hikvision.com

Hikvision USA
T +1-909-895-0400
sales.usa@hikvision.com

Hikvision Australia
T +61-2-8599-4233
salesau@hikvision.com

Hikvision India
T +91-22-28469900
sales@pramahikvision.com

Hikvision Canada
T +1-866-200-6690
sales.canada@hikvision.com

Hikvision Thailand
T +662-275-9949
sales.thailand@hikvision.com

Hikvision Europe
T +31-23-5542770
sales.eu@hikvision.com

Hikvision Italy
T +39-0438-6902
info.it@hikvision.com

Hikvision Brazil
T +55 11 3318-0050
Latam.support@hikvision.com

Hikvision Turkey
T +90 (216)521 7070- 7074
sales.tr@hikvision.com

Hikvision Malaysia
T +601-7652-2413
sales.my@hikvision.com

Hikvision UK & Ireland
T +01628-902140
sales.uk@hikvision.com

Hikvision South Africa
Tel: +27 (10) 0351172
sale.africa@hikvision.com

Hikvision France
T +33(0)1-85-330-450
info.fr@hikvision.com

Hikvision Kazakhstan
T +7-727-9730667
nikia.panfilov@hikvision.ru

Hikvision Vietnam
T +84-974270888
sales.vt@hikvision.com

Hikvision UAE
T +971-4-4432090
salesme@hikvision.com

Hikvision Singapore
T +65-6684-4718
sg@hikvision.com

Hikvision Spain
T +34-91-737-16-55
info.es@hikvision.com

Hikvision Tashkent
T +99-87-1238-9438
uzb@hikvision.ru

Hikvision Hong Kong
T +852-2151-1761
info.hk@hikvision.com

Hikvision Russia
T +7-495-669-67-99
saleru@hikvision.com

Hikvision Korea
T +82-(0)31-731-8817
sales.korea@hikvision.com

Hikvision Poland
T +48-22-460-01-50
info.pl@hikvision.com

Hikvision Indonesia
T +62-21-2933759
Sales.Indonesia@hikvision.com

Hikvision Colombia
sales.colombia@hikvision.com