

## DS-MP7508 Series Mobile DVR



### Features and Functions

- User-friendly GUI providing easy and flexible operations.
- Pluggable 3G/4G module and built-in Wi-Fi module providing flexible data transmission solutions.
- Supports connecting high-definition TVI camera.
- 8 analog channels of audio & video inputs connectable; each channel supports up to 1080p resolution with H.264/H.264+ encoding technology.
- 8-ch IP camera with up to 1080p resolution for each channel.
- Information collection interfaces collecting driving information such as left/right turn, braking, backing up, etc.
- Specialized aviation connectors ensuring signal stability.
- Ignition startup and delay (0 to 6h) shutdown.
- Battery protection avoids vehicle from running out of battery.
- Wide-range power input (+ 9 to + 32 VDC).
- Power-off protection avoids key data from loss.
- Tensile aluminum chassis with no fan design well adaptable to working environment.
- Software-based firewall supported.
- GNSS (Global Navigation Satellite System) module precisely positioning the vehicle via the satellite and recording the location information in the stream.
- Backup recording on SD card when the HDD/SSD is damaged.
- Support standard 128G SD/SDHC/SDXC card storage.
- Dummy HDD with USB interface supporting intelligent temperature control and data export.

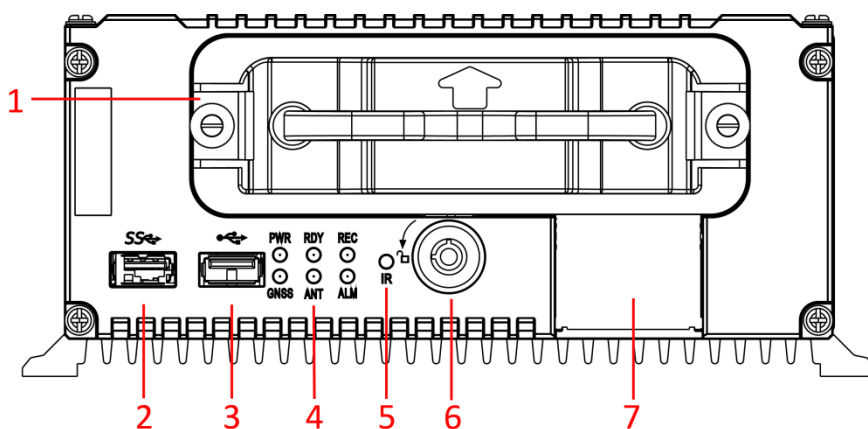


## Specifications

Model		DS-MP7508
Video/Audio input	Video input	8-ch TVI camera, Up to 1080p resolution
		8-ch 1080P IP camera (extendable via PoE switch)
Video/Audio output	Video output	1-ch CVBS video output 1-ch VGA video output
Encoding/Decoding parameters	Video decoding format	H.264, H.264+
	Recording resolution	1080p/720p/WD1/4CIF/2CIF/CIF
	Frame rate	PAL: 1 to 25fps, NTSC: 1 to 30fps
	Audio decoding format	G.711
	Two-way audio decoding format	G.722
	Stream type	Video, Video & Audio
	Dual stream	Supported
Storage	Type	Two 2.5-inch HDDs/SSDs Note: please refer to Hikvision local technical support for recommended HDD/SSD/SD model.
	Capacity	Up to 1 TB capacity for each HDD/SSD
Wireless Network	3G/4G Dialing	WCDMA and FDD-LTE module are supported 1, 3G/4G dialing antenna
	Wi-Fi	802.11B/G/N and 802.11AC are selectable 1 antenna for 802.11B/G/N module; 2 antennas for 802.11AC module
Navigation Satellite System	GNSS	1 navigation satellite antenna interface for GPS (Global Positioning System)
External interface	Sensor-in	4 high/low level signal inputs. 1 pulse signal inputs
	Alarm input	4-ch, triggered by high/low level signal
	Alarm output	2-ch, relay signal output
	Network interface	1, RJ45 10M/100M/1000M self-adaptive Ethernet interface
	Serial interface	1 × RS-232, 1 × RS-422
	USB port	Front panel: 1 × standard USB 2.0 and 1 × A-type USB 3.0 Rear panel: 1 × USB 2.0 of 5-pin aviation plug
	SIM card	1 standard SIM/UIM card slot
	CAN interface	2
	SD card	Built-in SD/SDHC/SDXC slot. Up to 128 GB
General	Operating system	Embedded Linux
	Operating method	Mouse, IR remote control, and Web control
	Power supply	+ 9 to + 32 VDC
	Consumption	≤ 20 W
	Working temperature	-10 °C to +55 °C (14 °F to 131 °F)
	Working humidity	10% to 95%
	Dimensions (W × D × H)	236 × 210 × 73mm (9.3 × 8.3 × 2.9 inch)
	Weight (without HDDs/SSDs)	approx. 3 kg (6.6 lb)

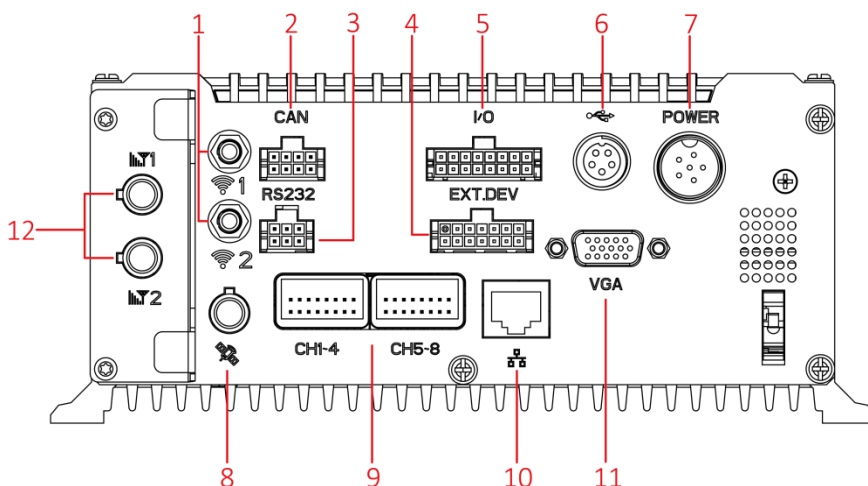
## Physical Interfaces

### Front Panel



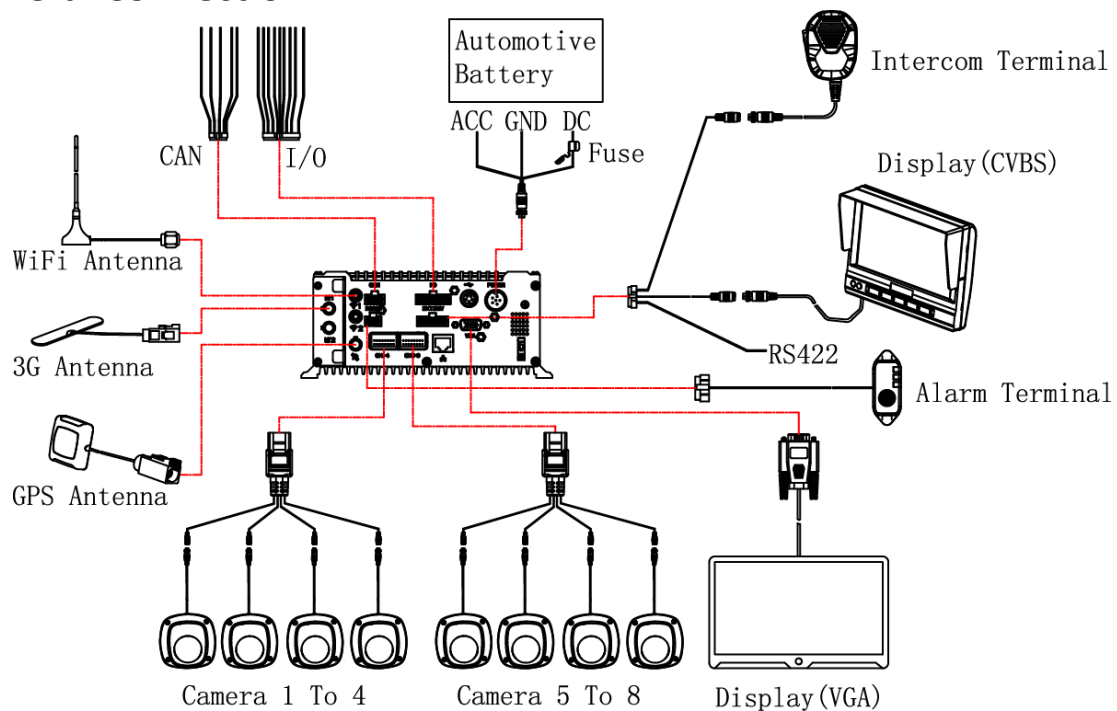
No.	Name	No.	Name
1	Dummy HDD	4	Power indicator
2	A-type USB 3.0 interface		Ready indicator
3	Standard USB 2.0 interface		Record indicator
5	IR receiver		GNSS indicator
6	Lock/Unlock the dummy HDD.		ANT indicator
7	SD card slot		Alarm indicator

### Rear Panel



No.	Name	No.	Name
1	WiFi antenna interface	7	6-pin aviation plug for power supply
2	CAN interface	8	GNSS antenna interface
3	RS-232 interface	9	Video inputs
4	RS-422 communication interface, two-way audio interface, and CVBS video output.	10	Network interface
5	4-ch alarm input, 4-ch sensor in; 1-ch pulse signal input.	11	VGA video output interface
6	USB interface of 5-pin aviation plug	12	3G/4G dialing antenna interface

## Peripheral Connection



## Available Models

DS-MP7508, DS-MP7508/GW, DS-MP7508/GW/WI, DS-MP7508/GLF/WI, DS-MP7508/GLF/WI58

### Note:

- The Wi-Fi function (802.11B/G/N) is only supported by the "/WI" devices.
- The Wi-Fi function (802.11AC) is only supported by the "/WI58" devices.
- The 3G dialing function is supported by the "/GW" devices.
- The 4G dialing function is only supported by the "/GLF" devices.

Distributed by



# HIKVISION

### Headquarters

No.555 Qianmo Road, Binjiang District,  
Hangzhou 310051, China  
T +86-571-8807-5998  
overseasbusiness@hikvision.com

**Hikvision USA**  
T +1-909-895-0400  
sales.usa@hikvision.com

**Hikvision Europe**  
T +31-23-55-42-770  
info.eu@hikvision.com

**Hikvision Middle East**  
T +971-4-8816086  
salesme@hikvision.com

**Hikvision Russia**  
T +7-495-669-67-99  
saleru@hikvision.com

**Hikvision India**  
T +91-22-28469900  
sales@pramahikvision.com

**Hikvision Italy**  
T +39-0438-6902  
info.it@hikvision.com

**Hikvision France**  
T +33(0)1-85-330-450  
info.fr@hikvision.com

**Hikvision Spain**  
T +34-91-737-16-55  
info.es@hikvision.com

**Hikvision Poland**  
T +48-22-460-01-50  
poland@hikvision.com

**Hikvision UK**  
T +01628-902140  
support.uk@hikvision.com

**Hikvision Singapore**  
T +65-6684-4718  
sg@hikvision.com

**Hikvision Oceania**  
T +61-2-8599-4233  
salesau@hikvision.com

**Hikvision Canada**  
T +1-909-895-0400  
sales.usa@hikvision.com

**Hikvision Korea**  
T +82-31-731-8841  
sales.korea@hikvision.com

**Hikvision Brazil**  
T +55 11 3318-0050  
Latam.support@hikvision.com

**Hikvision Africa**  
T +27 (0) 0351172  
sale.africa@hikvision.com

**Hikvision Hong Kong**  
T +852-2151-1761

040200160913