

DS-2TS36-100VI/W

Handheld Thermal & Optical Bi-spectrum Multi-function Binocular



Handheld Thermal & Optical Bi-spectrum Multi-function Binocular is equipped with ultra-low light optical detector, 640 × 512 @25fps thermal detector, 1024 × 768 @25fps OLED display and eyepiece. The device can quickly discover and accurately locate targets on the ground, at sea and river even under extreme environment, such as smoke, fog, rain and snow. It can be widely applied to scenarios like patrol, search and rescue.

Key Feature

- High sensitivity thermal module with 640 × 512 resolution
- NETD < 40 mk (@25°C, F# = 1.0)
- Leading thermal image processing technology: Adaptive AGC, DDE, 3D DNR
- High quality optical module with 1280 × 960 resolution
- Video recording, replay, snapshot, and search (users can review event on device)
- Wi-Fi hot spot
- Built-in compass, and GPS module, Supports self-positioning

▪ Specification

Thermal Module	
NETD	< 40mk (@25°C, F# = 1.0)
Field of View	6.23° × 4.98° (H × V)
Aperture	F1.4
Pixel Pitch	17 μm
Response waveband	8 μm to 14 μm
MRAD (IFOV)	0.17
Digital Zoom	4×
Max. Resolution	640 × 512
Lens (focal length)	100 mm Electric focus
Image Display	
Thermal/Optical Mode	Thermal view, B/W optical view, image fusion view are selectable
Image Fusion	Color fusion, B/W fusion
Monitor	0.39-inch, OLED, 1024 × 768
Palettes	Black hot, white hot
Optical Module	
Max. Resolution	1920 × 1080 @25fps
Image Sensor	1/1.8" Progressive Scan CMOS
Min. Illumination	B/W: 0.001 lux @ (F1.0 , AGC On)
Lens (focal length)	22 mm
Image Enhancement	3D DNR, Adaptive AGC
Smart	
Object Highlight	Yes
Automatic Backlight	The OLED backlight automatically turns off if no human eyes are detected.
System	
Record Video	On-board video recording
Snapshot	On-board image capturing
Video Replay	Yes
Picture Search	Yes
Wi-Fi	Yes
GPS	Yes
Storage	Built-in memory module (32 GB)
Power Supply	
Battery Type	Four 18650 batteries, requires 5 hours to be fully charged
Battery Operating Time	≥ 7 h
Battery Capacity Display	Yes
General	
Power	DC 5 V/2 A, Max.10W
Weight	Approx. 1.5 kg (3.3 lb)
Protection level	IP67
Dimension (L x W x H)	185 mm × 210.1 mm × 84.9 mm (7.28" × 8.27" × 3.34")
Cable Output	Aviation plug: connecting to BNC, DB9, and USB
Accessories (Supplied)	Battery charger, battery charger power cable, wiping cloth, two wrist straps, User manual, aviation plug cable, eight batteries

Mounting	UNC 1/4"-20
Working Temperature	-30°C to 60°C (-22°F to 140°F)

Detection Range Table

* The table is only for reference, the performance may vary from camera to camera.

Wide Range Coverage

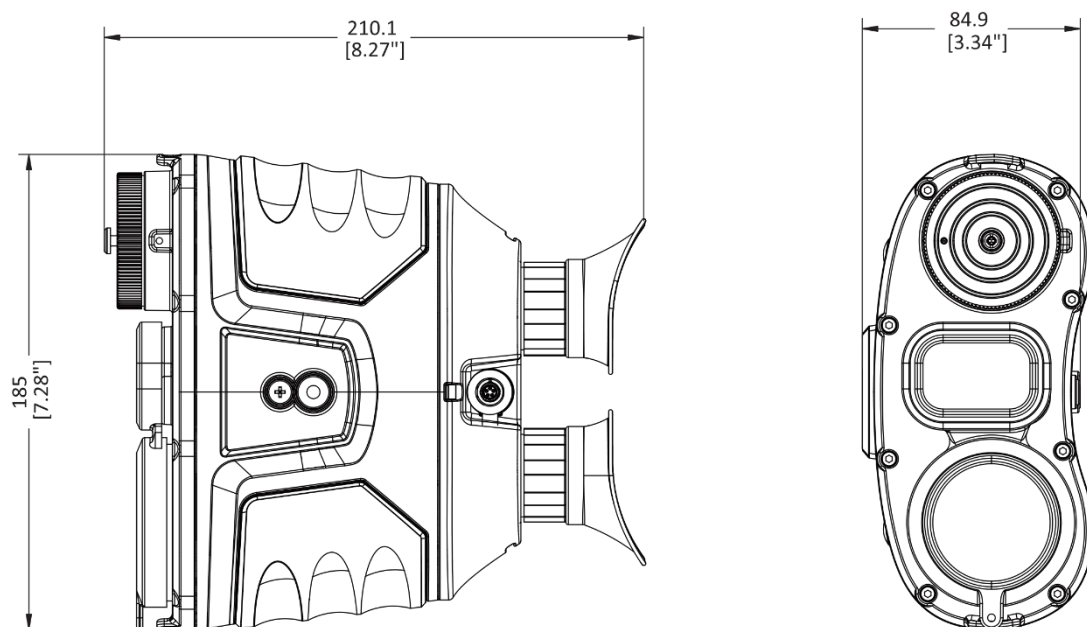
There is range limit for detecting, recognizing, and identifying human/vehicle targets.

Detection Range (Vehicles: 1.4 × 4.0m)	Detection Range (Humans: 1.8 × 0.5m)	Recognition Range (Vehicles: 1.4 × 4.0m)	Recognition Range (Humans: 1.8 × 0.5m)	Identification Range (Vehicles: 1.4 × 4.0m)	Identification Range (Humans: 1.8 × 0.5m)
7843 m	3529 m	3922 m	1765 m	1961 m	882 m

Available Model

DS-2TS36-100VI/W

Dimension

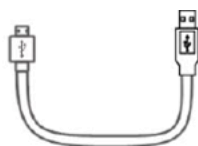


Unit: mm [Inch]

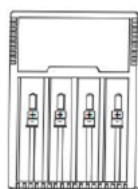
Packing List



Thermal Binocular (× 1)



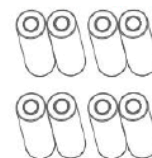
USB Cable (× 1)



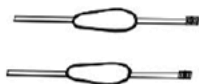
Battery Charger (× 1)



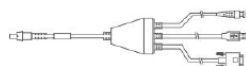
Manual (× 1)



Battery (× 8)



Straps (× 2)



Aviation Plug Cables (× 1)



Non-dust Cloth (× 1)

COMPLIANCE NOTICE: The thermal series products might be subject to export controls in various countries or regions, including without limitation, the United States, European Union, United Kingdom and/or other member countries of the Wassenaar Arrangement. Please consult your professional legal or compliance expert or local government authorities for any necessary export license requirements if you intend to transfer, export, re-export the thermal series products between different countries.

Headquarters

No.555 Qianmo Road, Binjiang District,
Hangzhou 310051, China
T +86-571-8807-5998
www.hikvision.com



Follow us on social media to get the latest product and solution information.

