

# GS2060/GS2065

GPRS/GSM Wireless Alarm Communicator  
Transmetteur d'alarme sans fil GPRS/GSM  
Comunicador de alarma inalámbrico GPRS/GSM  
Comunicador de alarme sem fio GPRS/GSM

# TL260GS/TL265GS

Ethernet/Internet and GPRS/GSM Dual-Path Alarm Communicator  
Transmetteur d'alarme à double liaison Ethernet/Internet et GPRS/GSM  
Comunicador de alarma de doble vía Ethernet/Internet y GPRS/GSM  
Comunicador de alarme de bidirecionais com Ethernet/Internet e GPRS/GSM

**DSC**® **CE**

v1.1  
Installation Manual  
Manuel d'installation  
Manual de instalación  
Manual de Instalação

**Warning:** This manual contains information on limitations regarding product use and function and information on the limitations as to liability of the manufacturer.

**Attention:** Ce manuel contient des informations sur les restrictions concernant le fonctionnement et l'utilisation du produit et des informations sur les restrictions en ce qui concerne la responsabilité du fabricant. La totalité du manuel doit être lu attentivement.

**Advertencia:** Por favor consulte el Manual de Instrucciones del Sistema para más información acerca de las limitaciones correlación al uso y funcionamiento del producto e información acerca de las limitaciones como la responsabilidad del fabricante.

**Advertência:** Este manual contém informações sobre limitações antes ao uso e funcionamento do produto, e informações sobre as limitações das responsabilidades do fabricante. Todo o manual deve ser lido atentamente.



## TABLE OF CONTENTS

English	
<b>Introduction</b>	<b>1</b>
Panel Mounting	1
Features	1
Technical Specifications	1
Ratings	1
Compatibility	1
Encryption	2
<b>Communicator Pre Installation Configuration</b>	<b>2</b>
Installing the Ethernet Cable (TL260GS/TL265GS only)	2
Inserting and Removing the SIM Card	2
DLS IV Account Activation (Before Installation)	2
<b>Installing the GSM/ETHERNET Communicator</b>	<b>3</b>
Installing GS2060/TL260GS Communicator with PC1616/1832/1864	3
PC1616/1832/1864 Programming	4
Communicator Troubles displayed on a PC1616/1832/1864	4
Installing the GS2065/TL265GS with the PC9155 Panel	4
Power Save Feature (GS2065/TL265 only)	6
Communicator Troubles displayed on a PC9155 Panel	6
<b>Communicator Placement Test</b>	<b>6</b>
<b>Remote Programming</b>	<b>7</b>
Programming via DLS IV:	7
Programming via Ethernet/Internet	7
<b>Communicator Status LEDs</b>	<b>7</b>
Yellow Trouble LED	7
Red Network Connection Status LED	8
(Green LED 1) (Green LED 2) and (Yellow LED) Signal Strength	8
<b>Communicator Reset / Update / Network Data Usage</b>	<b>9</b>
Factory Defaults Reset	9
Firmware Update	9
Network Data Usage	9
<b>Appendix A: Communicator Troubleshooting</b>	<b>10</b>
End User License Agreement	11
Limited Warranty	12
<b>Français</b>	<b>13</b>
<b>Español</b>	<b>27</b>
<b>Português</b>	<b>41</b>

### NOTE:

This document does not include the GPRS/Ethernet Module Programming Worksheets (Panel Section [851]). Refer to DSC Programming Worksheets document- Part Number 29007619R001, included with the Communicator. The installation instructions in this document apply to GS2060/GS2065 and TL260GS/TL265GS Communicators only.

### IMPORTANT

The GPRS/Ethernet Communicator is fixed, wall-mounted and shall be installed in the position specified in these instructions. The equipment enclosure must be fully assembled and closed, with all the necessary screws/tabs and secured to a wall before operation. Internal wiring must be routed in a manner that prevents:

- Excessive strain on wire and on terminal connections,
- Interference between power limited and non power limited wiring,
- Loosening of terminal connections, or
- Damage of conductor insulation.

### **WARNING: Never install this equipment during a lightning storm!**

#### The Installer must instruct the System user on each of the following:

- Do not attempt to service this product. Opening or removing covers may expose the user to dangerous voltages or other risks.
- Any servicing shall be referred to trained service personnel only.
- Use authorized accessories only with this equipment.

# **WARNING Please Read Carefully**

## **Note to Installers**

This **Warning** contains vital information. As the only individual in contact with system users, it is the installer's responsibility to bring each item in this Warning to the attention of all users of this system.

## **System Failures**

This system has been carefully designed to be as effective as possible. There are circumstances, however, involving fire, burglary, or other types of emergencies where it may not provide protection. Any alarm system of any type may be compromised deliberately or may fail to operate as expected for a variety of reasons. Some but not all of these reasons may be:

### **Access by Intruders**

Intruders may enter through an unprotected access point, circumvent a sensing device, evade detection by moving through an area of insufficient coverage, disconnect a warning device, or interfere with or prevent the proper operation of the system.

### **Component Failure**

Although every effort has been made to make this system as reliable as possible, the system may fail to function as intended due to the failure of a component.

### **Compromise of Radio Frequency (Wireless) Devices**

Signals may not reach the receiver under all circumstances which could include metal objects placed on or near the radio path or deliberate jamming or other inadvertent radio signal interference.

### **Criminal Knowledge**

This system contains security features which were known to be effective at the time of manufacture. It is possible for persons with criminal intent to develop techniques which reduce the effectiveness of these features. It is important that your security system be reviewed periodically to ensure that its features remain effective and that it is updated or replaced if it is found that it does not provide the protection expected.

### **Failure of Replaceable Batteries**

This system's wireless transmitters have been designed to provide several years of battery life under normal conditions. The expected battery life is a function of the device environment, usage, and type. Ambient conditions such as high humidity, high or low temperatures, or large temperature fluctuations may reduce the expected battery life. While each transmitting device has a low battery monitor which identifies when the batteries need to be replaced, this monitor may fail to operate as expected. Regular testing and maintenance will keep the system in good operating condition.

### **Inadequate Installation**

A security system must be installed properly in order to provide adequate protection. Every installation should be evaluated by a security professional to ensure that all access points and areas are covered. Locks and latches on windows and doors must be secure and operate as intended. Windows, doors, walls, ceilings and other building materials must be of sufficient strength and construction to provide the level of protection expected. A reevaluation must be done during and after any construction activity. An evaluation by the fire and/or police department is highly recommended if this service is available.

### **Inadequate Testing**

Most problems that would prevent an alarm system from operating as intended can be found by regular testing and maintenance. The complete system should be tested weekly and immediately after a break-in, an attempted break-in, a fire, a storm, an earthquake, an accident, or any kind of construction activity inside or outside the premises. The testing should include all sensing devices, keypads, consoles, alarm indicating devices, and any other operational devices that are part of the system.

### **Insufficient Time**

There may be circumstances when the system will operate as intended, yet the occupants will not be protected from an emergency due to their inability to respond to the warnings in a timely manner. If the system is remotely monitored, the response may not occur in time to protect the occupants or their belongings.

## **Motion Detectors**

Motion detectors can only detect motion within the designated areas as shown in their respective installation instructions. They cannot discriminate between intruders and intended occupants. Motion detectors do not provide volumetric area protection. They have multiple beams of detection and motion can only be detected in unobstructed areas covered by these beams. They cannot detect motion which occurs behind walls, ceilings, floor, closed doors, glass partitions, glass doors or windows. Any type of tampering whether intentional or unintentional such as masking, painting, or spraying of any material on the lenses, mirrors, windows or any other part of the detection system will impair its proper operation.

Passive infrared motion detectors operate by sensing changes in temperature. However their effectiveness can be reduced when the ambient temperature rises near or above body temperature or if there are intentional or unintentional sources of heat in or near the detection area. Some of these heat sources could be heaters, radiators, stoves, barbecues, fireplaces, sunlight, steam vents, lighting and so on.

### **Power Failure**

Control units, intrusion detectors, smoke detectors and many other security devices require an adequate power supply for proper operation. If a device operates from batteries, it is possible for the batteries to fail. Even if the batteries have not failed, they must be charged, in good condition and installed correctly. If a device operates only by AC power, any interruption, however brief, will render that device inoperative while it does not have power. Power interruptions of any length are often accompanied by voltage fluctuations which may damage electronic equipment such as a security system. After a power interruption has occurred, immediately conduct a complete system test to ensure that the system operates as intended.

### **Security and Insurance**

Regardless of its capabilities, an alarm system is not a substitute for property or life insurance. An alarm system also is not a substitute for property owners, renters, or other occupants to act prudently to prevent or minimize the harmful effects of an emergency situation.

### **Smoke Detectors**

Smoke detectors that are a part of this system may not properly alert occupants of a fire for a number of reasons, some of which follow. The smoke detectors may have been improperly installed or positioned. Smoke may not be able to reach the smoke detectors, such as when the fire is in a chimney, walls or roofs, or on the other side of closed doors. Smoke detectors may not detect smoke from fires on another level of the residence or building.

Every fire is different in the amount of smoke produced and the rate of burning. Smoke detectors cannot sense all types of fires equally well. Smoke detectors may not provide timely warning of fires caused by carelessness or safety hazards such as smoking in bed, violent explosions, escaping gas, improper storage of flammable materials, overloaded electrical circuits, children playing with matches or arson.

Even if the smoke detector operates as intended, there may be circumstances when there is insufficient warning to allow all occupants to escape in time to avoid injury or death.

### **Telephone Lines**

If telephone lines are used to transmit alarms, they may be out of service or busy for certain periods of time. Also an intruder may cut the telephone line or defeat its operation by more sophisticated means which may be difficult to detect.

### **Warning Devices**

Warning devices such as sirens, bells, horns, or strobes may not warn people or waken someone sleeping if there is an intervening wall or door. If warning devices are located on a different level of the residence or premise, then it is less likely that the occupants will be alerted or awakened. Audible warning devices may be interfered with by other noise sources such as stereos, radios, televisions, air conditioners or other appliances, or passing traffic. Audible warning devices, however loud, may not be heard by a hearing-impaired person.

## INTRODUCTION

**SGS2060/GS2065:** Are General Packet Radio Service/Global System for Mobile (GPRS/GSM) wireless alarm Communicators that send alarm communication to Sur-Gard System I, II, and III (SG-DRL3IP) central station receivers via a GPRS/GSM digital cellular network.

**TL260GS/TL265GS:** Are Dual-path GSM/Ethernet alarm Communicators that send alarm communication to Sur-Gard System I, and III central station receivers through Ethernet/Internet or a GPRS/GSM digital cellular network.

The Communicator can be used as either a backup or primary Communicator. The Communicator supports Internet Protocol (IP) transmission of panel and internal events over Ethernet/Internet and/or GPRS/GSM. The Communicator can provide event notification via Short Message Service (SMS) and allows SMS interactive via GPRS and Ethernet to 3<sup>rd</sup> party services using the ITV2 protocol.

The GPRS/GSM performance of the Communicator depends greatly on GSM network coverage and signal strength. It should not be mounted in the final location without first performing the Communicator Placement Test on page 6 to determine the best location for radio reception (minimum of one green LED ON). Optional antenna kits are available from DSC at: <http://www.DSC.com>.

**NOTE: Prior to installation of the Communicator, confirm with your carrier that a GPRS/GSM network is available and active in the area where the Communicator will be installed and confirm that the radio signal strength is adequate.**

### Panel Mounting

The following Communicators are compatible with PC1616/PC1832/PC1864 v4.1+ Control Panels:

- **GS2060** (GPRS/GSM only)      • **TL260GS** (Ethernet/Internet + GPRS/GSM dual-path)

The following Communicator models are compatible with PC9155 control panels:

- **GS2065** (GPRS/GSM only)      • **TL265GS** (Ethernet/Internet + GPRS/GSM dual-path).

**NOTE: When GS2065 is installed, ALEXOR model is 9155G. When TL265GS is installed, ALEXOR model is 9155D.**

### Features

- 128-bit AES encryption via GPRS/GSM and Ethernet/Internet (NIST Validation Certificate No. 995).
- Advanced remote and local programming via DSC DLS IV. (Refer to Programming Worksheets document 29007619R001)
- Back up or primary GPRS/GSM alarm communication.
- Ethernet LAN/WAN 10/100 BaseT (TL260GS/TL265GS only).
- Full event reporting.
- Full keypad programming (GS2065 and TL265GS only).
- Fully redundant Ethernet/Internet and GPRS/GSM Dual-path Alarm Communication (TL260gs/TL265GS only).
- Individual Ethernet and/or GPRS Periodic test transmission.
- Installer Code.
- Integrated call routing.
- Panel remote uploading/downloading support via GPRS/GSM and Ethernet/Internet.
- PC-Link connection.
- Programmable Labels (Zone and Partition Labels autosync with the ALEXOR v1.1+ only)
- Programmable SMS commands and response messages available in 28 languages via two way cellular text messages.
- Quad-Band Operation: 850 MHz, 900 MHz, 1800 MHz, and 1900 MHz.
- SIA format (Contact ID GS2065/TL265GS V1.1 only).
- Signal strength and Trouble display LEDs.
- Supervision heartbeats via GPRS/GSM and Ethernet/Internet.

### Technical Specifications

#### Ratings

Table 1: Communicator Ratings

MODEL	GS2060 GPRS/GSM ONLY	TL260GS ETHERNET & GPRS	GS2065 GPRS/GSM ONLY	TL265GS ETHERNET & GPRS
<b>POWER SUPPLY RATINGS</b>				
• Input Voltage	11.1~12.6V DC: The panel Bell output shall be derated: 700mA - (Communicator mA) = derated Bell output.		11.1 ~ 12.6V DC (From PC-Link Header)	
<b>CURRENT CONSUMPTION</b>				
• Standby Current	65mA @ 12V	100mA @ 12V	65mA @ 12V	100mA @ 12V
• Alarm (Transmitting) Current	400mA @ 12V during transmission			
• Operating Frequency	Quad band 850MHz, 900MHz, 1800MHz, 1900MHz			
• Typical Antenna Gain	2db			
<b>ENVIRONMENTAL SPECIFICATIONS</b>				
• Operating Temperature	-10°C ~ 55°C (14°F ~131°F)			
• Humidity	5% ~ 93% relative humidity, non-condensing			
<b>MECHANICAL SPECIFICATIONS</b>				
• Board Dimensions (mm)	100 × 150 × 15	100 × 150 × 18	100 × 150 × 15	100 × 150 × 18
• Weight (grams)	310 (with mounting bracket)	320 (with mounting bracket)	68	78

### Compatibility

Table 2: Compatible Receivers, Control Panels, and Cabinets

COMMUNICATOR	RECEIVER/PANEL	DESCRIPTION
GS2060/TL260GS GS2065/TL265GS	Receiver	<ul style="list-style-type: none"> <li>• Sur-Gard System I Receiver, version 1.1+</li> <li>• Sur-Gard System II Receiver, version 2.0+</li> <li>• Sur-Gard SG-DRL3-IP, version 2.2+ (for Sur-Gard System III Receiver)</li> </ul>
GS2060/TL260GS	Control Panel and Cabinets	<ul style="list-style-type: none"> <li>• Power Series PC1864, version 4.3+</li> <li>• Power Series PC1832, version 4.3+</li> <li>• Power Series PC1616, version 4.3+</li> <li>• Cabinets: PC5003C/PC4050C</li> </ul>
GS2065/TL265GS	Control Panel	<ul style="list-style-type: none"> <li>• ALEXOR (PC9155) version 1.1+</li> </ul>

## COMMUNICATOR PRE INSTALLATION CONFIGURATION

This GSM/Ethernet Communicator shall be installed by Service Persons only. (Service Person is defined as a person having the appropriate technical training and experience necessary to be aware of hazards to which that person may be exposed in performing a task and can also take measures to minimize the risks to that person or other persons). The Communicator shall be installed and used within an environment that provides the pollution degree max 2, over voltages category II, in non-hazardous, indoor locations only. This manual shall be used in conjunction with the Installation Manual of the alarm control panel which houses the GSM/Ethernet Communicator. All instructions specified within the panel installation manual must be observed.

### Encryption

The Communicator uses 128 Bit AES Encryption. Encryption can only be enabled from the monitoring station receiver. Each receiver can independently have encryption enabled or disabled. When encryption is enabled, the central station will configure the device to encrypt communications the next time the Communicator module performs a communication to that receiver.

**NOTE: Packets will start being encrypted only after the next event is sent to that receiver, or if the unit is re-started.**

### Installing the Ethernet Cable (TL260GS/TL265GS only)

A Category 5 (CAT 5) ethernet cable must be run from a source with Ethernet/Internet connectivity to the Communicator module, inside the Control Panel cabinet. The Communicator end of the cable must have an RJ45 plug, which connects to the Communicator's RJ45 jack. All requirements for installation of CAT5 Ethernet cable must be observed for correct operation of the Communicator, including, but not limited to, the following:

- Do NOT strip off cable sheathing more than required for proper termination.
- Do NOT kink/knot cable.
- Do NOT crush cable with cable ties.
- Do NOT untwist CAT5 pairs more than 1.2cm (½").
- Do NOT splice cable.
- Do NOT bend cable at right angles or make any other sharp bends.

**NOTE: CAT5 specification requires that any cable bend must have a minimum 5 cm (2") bend radius. Do NOT exceed maximum 15cm (6") from center of ferrite to T-Link Network Connector. Maximum length of CAT 5 cable is 328 ft. (100m).**

### Inserting and Removing the SIM Card

1. If the Communicator is already installed in a Control Panel cabinet, remove the front cover of the Control Panel to access SIM holder.
2. Power down the panel and disconnect the backup battery connections.
3. On the SIM card holder push gently to slide the cover towards the PCB antenna, as indicated by the arrow on SIM holder, to OPEN. See Figure 3 and Figure 5. This will unlatch the SIM card holder on the side closest to edge of the Communicator PCB.
4. Lift up the SIM card holder from the side that is not hinged.
5. Insert or remove the SIM card, noting the orientation of the notches on the SIM card and the SIM card holder.
6. When inserting a SIM card, insert the card in the proper orientation and gently push the SIM card holder down and slide the holder as indicated by the arrow on SIM holder, to LOCK.
7. Reconnect the backup battery, apply power to panel, and replace the panel's cover.

### DLS IV Account Activation (Before Installation)

Optionally, the installer can perform all module programming prior to on-site installation (if the SIM card has been activated). Perform the following steps to program the Communicator locally using DLS IV software.

**NOTE: When you receive the SIM card from the local GSM network carrier, record the SIM card's GSM phone number. This number will be required for remote programming and is also the number that will be used for SMS Interactive functions. Due to the nature of the SIM card activation process with GSM network carriers, it can take up to 24 hours for SIM card activation to be complete.**

1. Connect the Communicator to your computer using the appropriate PC-Link cable for the Communicator type:
  - a. GS2060 and TL260GS:PCLINK-9 Kit or PCLINK-SCW Kit.
  - b. GS2065 and TL265GS:PCLINK-5WP Kit.
2. Power up the Communicator.
  - a. GS2060 and TL260GS: Get power from the panel Bell + and Aux - outputs. (PC1616/1832/1864).
  - b. GS2065 and TL265G: Get power from the transformer that is supplied in the PCLINK-5WP Kit.
3. Run the DLS IV software on your computer.

**NOTE: If required, download the DLS IV software from DSC at: <http://www.dsc.com/index.php?n=library#self>**
4. Perform the following steps to program the Communicator using DLS IV:
  - a. Select the **Control Panel Type** and set up a new account for this installation.
  - b. Add the Communicator type to this account.
  - c. Add the Communicator's connection type (SMS, Ethernet/Internet, and PC-Link) and enter all relevant information.
  - d. Open the new account and navigate to the **GS/IP** section.
  - e. On the **Communicator Options** tab, enter all relevant information.
  - f. On the **Receiver Options** tab, enter all relevant information.
  - g. On the **GPRS Network Options** tab, enter all relevant information.
  - h. Confirm all information is entered correctly before submitting. Select **Global Download**.
  - i. In **Connection Type**, select **PC-LINK**, then click **OK**.
  - j. Exit the DLS IV software, then remove power and disconnect the Communicator.
5. Insert SIM card in its slot on the Communicator. (See **Inserting and Removing the SIM Card on page 2**).

**NOTE: You can also use DLS IV to reconfigure the Communicator remotely after the initial installation. For more details, see Programming via DLS IV: on page 7 or refer to the DLS IV Manual.**

## INSTALLING THE GSM/ETHERNET COMMUNICATOR

**Before leaving the installation site, the equipment shall be connected via an APPROVED (acceptable to the local authorities) Network Interface Device (NID). All wiring shall be performed according to the local electrical codes.**

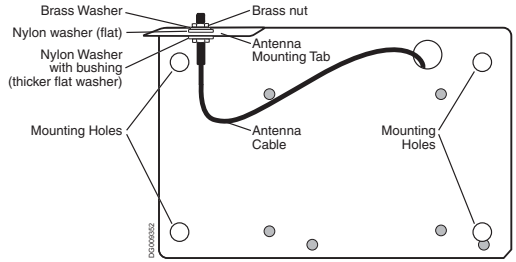
### Installing GS2060/TL260GS Communicator with PC1616/1832/1864

**NOTE: Before installing the GS2060/TL260GS or inserting/removing the SIM card, ensure that system power is OFF.**

1. To assemble mounting bracket, perform the following (See Figure 1).

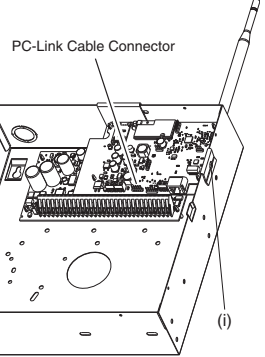
- a. Remove the 4 white plastic standoffs from the bag provided with the Communicator kit.
- b. Insert the 4 standoffs through the back of the supplied mounting bracket, into the holes at each corner. (The antenna mounting tab should be facing away from you).
- c. Place the bracket on a flat, solid surface. Hold the Communicator face up and orient the four holes on the Communicator with the four standoffs protruding from the bracket. Push the Communicator firmly and evenly onto the standoffs until it is securely attached to the mounting bracket.
- d. Remove the alarm panel front cover.
- e. Remove and discard the circular knockout located in the top-right section of the panel. (This hole will be used for connection of the supplied radio antenna).

Figure 1 Communicator Mounting Bracket



- f. Connect the supplied 12.7cm (5") antenna cable to the radio, by passing the connector through the hole on back of the mounting bracket to the Communicator board. Push the antenna connector firmly into the socket on the GSM radio. (See Figure 3).
- g. Place the nylon washer with bushing (thick flat washer) onto the threaded section of the antenna cable. Insert the threaded section through the antenna mounting knockout hole. Place the second nylon washer (flat), followed by the brass washer and the brass nut, onto the threaded section of the cable, outside the panel. Tighten the assembly by hand only. Do not over-tighten the assembly.

Figure 2 PC1616/1832/1864 Control Panel

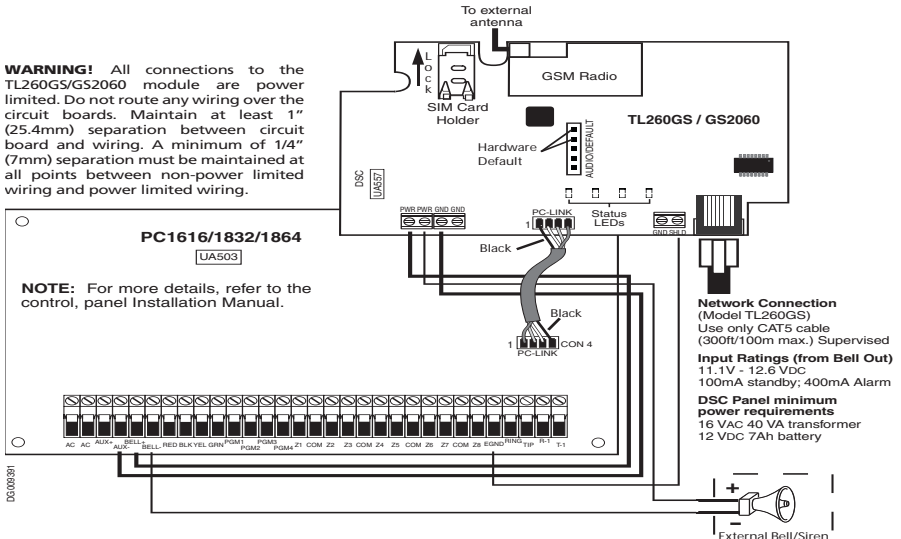


2. To install the Communicator module into the panel. (See Figure 3).

- a. Attach one end of the PC-LINK cable to the panel PC-LINK header on the panel (red wire goes on Pin 1 of the panel PC-LINK header.)  
**NOTE: Note that on the panel, the black wire is on the right, whereas on the Communicator this is reversed. See Figure 3.**
- b. Insert the assembled Communicator into the panel cabinet.  
**NOTE: Ensure that the threaded antenna connection point is visible through the knockout hole of the panel.**
- c. Locate the screw hole in the right side wall of the panel. See Figure 2 (i). Line up the assembled Communicator with the side wall of the panel and, using the screw provided, secure the mounting bracket to the panel.
- d. Attach the supplied white quad band whip antenna to the threaded antenna connection point at top of the panel.

3. Wire the Communicator to the panel, perform the following (See Figure 3):

Figure 3 GS2060/TL260GS Wiring Diagram



- a. Disconnect the AC power and the battery + connections from the panel.
- b. Attach a wire from the Communicator's left **PWR** terminal to the panel's **BELL+** terminal.
- c. Attach a wire from the Communicator's **GND** terminal to the panel's **AUX** – terminal.
- d. Attach a wire from the Communicator's **SHLD** terminal to the panel's **EGND** terminal. (Protective earth ground).
- e. If a Bell/Siren is used, attach a wire from the Communicator's right **PWR** terminal to the positive (+) terminal on the external Bell/Siren. (See **Figure 3**).
- f. If a Bell/Siren is used, attach the panel's **BELL** – terminal to the negative (–) terminal on the external Bell/Siren.
- NOTE: If a Bell/Siren is not used, install the 1KΩ ½ W 5% resistor (Brown, Black, Red, Gold) (supplied with the panel) between the panel's Bell + and Bell – terminals, then only wire the BELL + to the PWR terminal on the Communicator.**
- g. Confirm that the SIM card is inserted and locked. (See **Inserting and Removing the SIM Card on page 2**).
- h. Insert the PC-LINK connector into the Communicator's PC-LINK socket. (Black wire on Pin 1 on the Communicator).
- i. Route the CAT 5 Ethernet cable through back of the cabinet and plug it into the Communicator's RJ45 jack.
4. Perform the following for initial power on of the panel with Communicator installed:
  - a. Reconnect the AC power and battery + to the panel. (the Communicator and Panel will power up together).
  - b. Observe that the Communicator's red and yellow LEDs are flashing together while it initializes. The red and yellow LEDs will continue to flash until the unit has successfully communicated to all programmed receivers.
  - c. At the keypad, enter [\*][8][Installer Code] [382] and confirm that Toggle Option [5] is **ON** (GPRS/Ethernet Module Enabled). **NOTE: Initialization may take several minutes to complete. Red and yellow LEDs will flash together during initialization. Do not leave the installation until the red and yellow LEDs have stopped flashing. (If only the yellow LED is flashing, there is a Communicator trouble and the Green LEDs are not valid for Communicator Placement Test). Correct trouble before continuing. (See Table 7 for troubleshooting assistance).**
5. Perform the Communicator Placement Test on page 6.

#### **PC1616/1832/1864 Programming**

Perform the following steps to ensure that the Communicator and the panel work together as intended.

These Sections must be programmed at the panel keypad. Enter [\*][8][Installer Code][Section Number]. Record any values that are modified from their default, in the appropriate Worksheets for the Panel or Communicator.

**NOTE: The toggle is ON when the number is displayed. Toggle is OFF when the number is not displayed. (e.g., [1---5---], Toggle Options 1 and 5 are ON, all others are OFF). Press the number on keypad to turn toggles ON/OFF.**

1. In Section [167] (Wait for ACK) program **060** (seconds).
2. In Sections [301], [302], and [303] Program the central station telephone number that will be used for the GPRS/Ethernet Communicator. Valid entries are:
  - a. A valid telephone number; signals will be routed to the central station using the Public Switched Telephone Network (PSTN).
  - b. **DCAA** (Receiver 0); signals will be routed to GPRS/Ethernet Receivers 1 - 4 depending on programming in Section [851][006].
  - c. Section [301] sets the Primary communication path, and may be configured as either PSTN or Communicator routing. Panel Section [302] is redundant, and Section [303] is the backup telephone number for Section [301].
- NOTE: The leading digit 'D' in the telephone number (dial tone detection) is pre-programmed.**
3. In Section [350], program the communication format as Contact ID (03) or SIA FSK (04).
 

**NOTE: If any of the panel telephone numbers have been set to DCAA, this section must be set to [04].**
4. In Sections [351] - [376], program the Communicator call direction options. Refer to the Panel Installation Manual for options.
5. In Section [382], ensure Toggle Option [5], 'GPRS/Ethernet Module Enabled' is **ON**. If this option is OFF, the yellow status LED will indicate 'Panel Supervision Trouble' (2 flashes) and the unit can not be programmed via PC-LINK cable.
6. In Section [401] set Toggle Option [1] (Downloading Answer Enable) to **ON** in order to perform panel DLS session through GPRS or Ethernet.
 

**NOTE: Before leaving the premises, the installer should verify all programmed communications paths. Refer to Programming Worksheets Section [851][901] to send immediate test transmission.**

#### **Communicator Troubles displayed on a PC1616/1832/1864**

The General System trouble is the only trouble that will appear on the keypad LCD when encountered by a Communicator installed in a PC1616/1832/1864 panel. For more information about the trouble on the Communicator module refer to the panel event buffer. Log entry will show Fault or Restore for each event.

- **T-Link Network Fault/Restore:** This log will occur for the following trouble conditions: SIM Lock Trouble, GSM Trouble, Ethernet Trouble, or Connect 24 Configuration Trouble.
- **T-Link Receiver Trouble/Restore:** This log will occur for the following trouble conditions: Receiver Not Available Trouble, Receiver Supervision Trouble, or Failure to Communicate (FTC) Trouble.
- **T-Link Comm. Fault/Restore:** This log will occur when the panel loses communications with the Communicator.

#### **Installing the GS2065/TL265GS with the PC9155 Panel.**

**NOTE: The GS2065 Communicator is used in Panel: 9155G and the TL265GS Communicator is used in Panel: PC9155D.**

1. Remove the front cover of the Panel and remove AC and battery power (remove + (red) connector from battery).
2. Hold the Communicator module with the RJ45 connector at bottom left. Tilt module down slightly to right and align i the hole with the bottom right tab and the right side inserts of the panel. Gently press communicator into right inserts, then press down on left to lock it in position. (See **Figure 4**).
3. Connect the PC-LINK connector. Red wire on pin 5 on panel and communicator. (See **Figure 5**)
4. Connect the Ethernet cable plug to the RJ45 connector on Communicator. If a shielded CAT 5 cable is used, a jumper may be placed between the **GND** and **SHLD** connections of the Communicator 2-terminal block (to left of the RJ45 jack) to reduce noise.
 

**NOTE: Do not attach this jumper if the Ethernet cable shield is grounded by the equipment at the other end. Do not route any system wiring near the PCB antenna.**
5. Reconnect the AC power and battery + connector to the panel. (the Communicator and Panel will power up together).
  - a. Observe that the Communicator's red and yellow LEDs are flashing together while it initializes. The red and yellow LEDs will continue to flash until the unit has successfully communicated to all programmed receivers.
- NOTE: Initialization may take several minutes to complete. The red and yellow LEDs will flash together during initialization. Do not leave the installation until the red and yellow LEDs have stopped flashing. (If only the yellow LED is flashing, there is a Communicator trouble and the Green LEDs are not valid for Communicator placement test). See Table 7 for assistance in Troubleshooting Communicator Troubles.**
6. Perform the Communicator Placement Test on page 6.
7. Establishing a communication channel between the Communicator and the panel is critical to ensuring the desired operation of the two units. The following must be completed during the on-site installation. Program the following at the panel to ensure that the Communicator and the panel will work together as intended. Panel Sections must be programmed at the panel keypad.



Enter [\*][8][Installer Code][Section Number] for panel programming. Record any values that are modified from their default, in the Programming Worksheets.

**NOTE: When programming Toggle Options, the toggle is ON when the number is displayed and OFF when the number is not displayed. (e.g., [1---5---], Toggle Options 1 and 5 are ON, all others are OFF).**

Figure 4 PC 9155 Control Panel

8. Panel Section [167] GPRS/Ethernet Interface Communications Wait for ACK; Program value as: **060** (seconds).

9. When the communicator is installed with the PC9155 panel, 4 telephone numbers are available to backup one another. You can set up these 4 telephone numbers to perform in one of two ways: Backup dialling or Alternate dialling.

a. **Backup dialling:** each of the 4 telephone numbers will make 5 dialling attempts in turn, before a Failure to Communicate (FTC) trouble is displayed on the keypad.

b. **Alternate dialling:** each telephone number makes 1 dialling attempt and cycles through each of the 4 numbers for a total of 5 times each. If all numbers fail the 5 attempts., an FTC trouble is displayed on the keypad.

10. Panel Sections [301], [302], [303], and [305] can be configured as Primary communication paths.

a. Panel Sections [302], [303], and [305] may also be configured for backup or redundant communications by using Panel Sections [383] or [351] - [376]. Refer to the PC9155 panel Installation Manual for more information.

b. If a valid phone number is programmed, communications will use Public Switched Telephone Network (PSTN). Entering a 4 digit hexadecimal value for a telephone number will change the call routing as determined by the number programmed:

**DCAA:** Internal (All Receivers). Signals will be routed depending on the GS/IP module programming.

**DCBB:** Ethernet Receiver 1 (Primary). (TL260GS/TL265GS only).

**DCCC:** Ethernet Receiver 2 (Backup). (TL260GS/TL265GS only).

**DCDD:** GPRS Receiver 1 (Primary).

**DCEE:** GPRS Receiver 2 (Backup).

**NOTE: Add a single 'F' as a suffix to the number to populate the unused remainder of the 32 character field.**

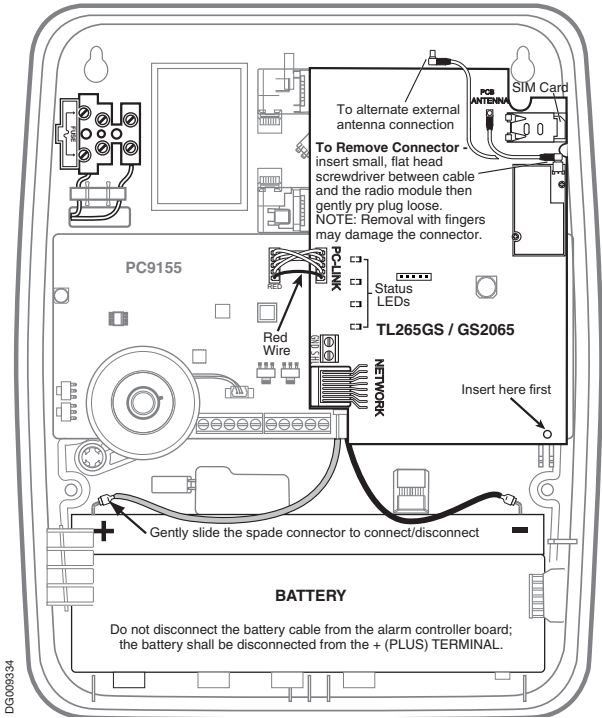
11. Panel Section [350]: If any of the phone numbers have been programmed as DCAA, DCBB, DCCC, DCDD, or DCEE, panel Section [350] must be set to [04] if SIA format or [03] if Contact ID format.

12. Panel Section [382]: Toggle Option [5], (GS/IP Module Enabled), must be set to **ON**. If this option is OFF, the yellow status LED will indicate 'Panel Supervision Trouble' (2 flashes) and the unit can not be programmed via PC-LINK cable.

13. Panel Section [401]: Toggle Option [1] must be set to **ON** in order to perform panel DLS session through GPRS or Ethernet.

**NOTE: Keep a record of the SIM card telephone number, it is required by users for SMS interactive functions.**

**Due to the nature of the SIM card activation process with GSM network carriers, it can take up to 24 hours for SIM card activation to be complete.**



DC00934

## Power Save Feature (GS2065/TL265 only)

The GS2065 and TL265GS models have a power save mode feature. If there is an AC power loss on the PC9155 control panel, the system will enter power save mode to extend battery duration. During power save mode, the Ethernet functionality is turned OFF and will only turn ON when an event needs to be transmitted, DLS session is requested via SMS, or for firmware upgrade is required.

- When in power save mode, incoming DLS connections will not be possible.
- Outgoing SMS initiated DLS sessions are possible while the unit is in power save mode.
- The Link activity LED on the network interface device will also be OFF when the unit is in power save mode.

## Communicator Troubles displayed on a PC9155 Panel

The following troubles will appear on the keypad LCD when encountered by a Communicator on the PC9155 panel. Please refer to PC9155 Installation Manual for more information.

Table 3: Communicator Troubles on a PC9155 Panel

TROUBLE CONDITION	DESCRIPTION	USER ACTION
Alternate Communicator Trouble	GSM trouble, Ethernet trouble, central station receiver trouble, supervision config SMS trouble for GS/IP module (if installed). Press < > to scroll through troubles.	Call for service. For Ethernet trouble check LAN connections.

## COMMUNICATOR PLACEMENT TEST

- To confirm that the panel/antenna location is suitable for radio operation, perform this Communicator Placement Test:
 

**NOTE: You may need to relocate the panel or install an optional extension antenna if radio signal strength is too low.**

  - Confirm that the yellow LED on the Communicator is not flashing. A flashing yellow LED indicates trouble on the Communicator. (See Table 7 to troubleshoot and correct the cause of this trouble before continuing to the next step).
  - Observe the strength of the radio signal on the yellow LED and the two green LEDs) on the Communicator board meet or exceed the minimum signal level requirement. Minimum Signal Level: The yellow LED must be **OFF** and the Green LED 1 **■** (further from the yellow LED) must be **ON**. (i.e., not flashing) for the panel location to be acceptable. See table for Radio Signal Strength on page 8 for interpretation of receiver GSM signal strength on LEDs.
 

**NOTE: If required signal strength is low with the panel in its current location, an external antenna is required.**
  - If required, the following GSM extension antenna kits are available to the installer:
    - GS15-ANTQ - 4.57m (15') Internal Antenna Extension Kit (suitable for interior mounting only).
    - GS25-ANTQ - 7.62m (25') External Antenna Extension Kit (suitable for exterior mounting only).
    - GS50-ANTQ - 15.24m (50') External Antenna Extension Kit (suitable for exterior mounting only).
 Specific instructions for the installation of the extension antenna are included with its kit. Observe all the electrical safety instructions regarding the installation of the antenna. All the wiring of the equipment shall be fully compliant with the local rules and regulations.
- Install the antenna extension and perform the following steps to determine the best location for placement of the antenna :
 

**NOTE: Follow steps for the Control Panel used. If you will not be installing an external antenna, go to Step 4.**

### PC1616/1832/1864

- Disconnect the white whip antenna from the cabinet.
- Attach one end of the antenna extension cable to the threaded antenna connector on the panel and the other end to the external antenna.
- Move the extension antenna to various locations while observing the two Green LEDs on the panel. Continue to reposition the extension antenna until you receive an acceptable (minimum one green LED ON solid) signal strength.

**NOTE: Minimum strength is: ■ green LED 1 flashing and ▲ yellow LED OFF. If green LED 1 is flashing, relocation should be considered.**

- Mount the supplied antenna extension bracket at the location that provided the best signal strength.
- Alternately, you can reposition the control panel to improve signal strength. Dismount the panel and move it to another location to achieve the required signal strength. If the panel is relocated to improve signal strength, mount it in the new location.

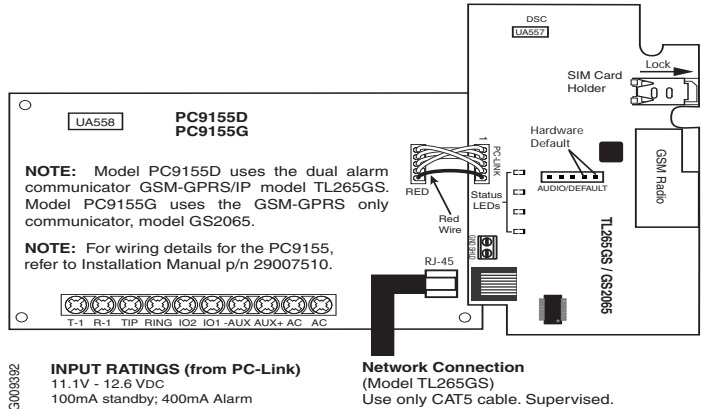
### PC9155

- Power down the Panel and remove the front cover.
- Remove and discard the circular knockout at the top of the panel.
- Insert a small flathead screwdriver between the antenna cable and the radio. (See Figure 4). Gently pry the plug loose from the radio and remove the other end of the antenna cable from the PCB.

**NOTE: Removing the antenna cable using only your fingers may cause damage to the connector.**

- Using instructions supplied with the antenna kit, install the optional extension antenna kit to the Communicator.
- Attach one end of the antenna extension cable to the radio on the Communicator.
- Replace the front cover on the panel.

Figure 5 GS2065/TL265GS Wiring Diagram



- g. Power up the panel and wait until it has initialized.
- Move the extension antenna to various locations while observing the two Green LEDs on the panel. Continue to reposition the extension antenna until you receive an acceptable (minimum one green LED ON solid) signal strength.  
**NOTE: Minimum strength is:** ■ green LED 1 flashing and ▲ yellow LED OFF. If green LED 1 is flashing, relocation should be considered.
  - Mount the supplied antenna extension bracket at the location that provided the best signal strength.
  - Alternately, you can reposition the control panel to improve signal strength. Dismount the panel and move it to another location to achieve the required signal strength. If the panel is relocated to improve signal strength, mount it in the new location.  
**NOTE: Before leaving the premises, the installer should verify all programmed communications paths. Refer to Programming Worksheets Section [901] for Toggle Option settings to send immediate test transmission to receivers.**

## REMOTE PROGRAMMING

### Programming via DLS IV:

**NOTE: Before programming, you will require your network's Public IP Address and Public listening port for incoming DLS IV connections. You must send an SMS message to the unit, therefore, you must know the phone number assigned to the SIM.**

- Run the DLS IV software on your computer.  
**NOTE: If required, download the DLS IV software from DSC: <http://www.dsc.com/index.php?n=library#self>**
- Create an account for the Panel/Communicator, select the Communicator type (e.g., SMS - GS2065) and enter all relevant information under **SMS** section, including the Communicator's GSM telephone number.
- All available Communicator and panel options can be configured in the DLS IV account. Refer to Programming Worksheets Part Number: 29007619R001 for detailed programming information. Also, refer to your DLS IV manual and Help file.
- When you have finished programming the account, click **Global Download** and choose **SMS** as **Connection Type**. Click **OK**.
- DLS IV will generate the required text for the SMS message. This message has the Public IP and Port Number of the DLS Server to allow the Communicator to link up with your computer. Type the SMS message in to your cell phone and send to the Communicator's GSM phone number. Then Click **OK**.
- The SMS message will trigger the unit to establish a connection to your DLS IV software. New programming of the Communicator will be downloaded to the unit remotely via GPRS or Ethernet/Internet. The actual path for the downloading will be determined by the Communicator's communication settings in Section [851][005], Toggle Option [4].

**NOTE: You can disable DLS over GPRS. Refer to Programming Worksheets Section [006] Toggle Option [7]. If you disable DLS over GPRS, remote programming will not work on the GS2065/GS2065 Communicators, regardless of the path set in Programming Options Section [005] Toggle Option [4].**

### Programming via Ethernet/Internet:

(TL260GS and TL265GS only)

**NOTE: A computer with Internet access and DLS IV software is required for programming.**

- Run the DLS IV software on your computer.
- With the DLS IV downloading software, you have the ability to change the programming of the Communicator using the Graphical User Interface (GUI) on the screen. Refer to the Programming Worksheets document PN 29007619R001, included with the Communicator, for detailed programming information. Also, refer to your DLS IV manual and Help file.
- In **Account Settings**, select your module and enter all relevant information under **Ethernet/Internet** section.
- After change the programming of the Communicator, click **Global Download** and choose **Ethernet/Internet** as the Connection Type. Click **OK**. The initial connection between the unit and DLS IV will be established through Ethernet/Internet.
- New programming of the Communicator will be downloaded to the unit remotely via GPRS or Ethernet/Internet. The actual path for the downloading will be determined by the Communicator settings in Section [851][005], Toggle Option [4].

## COMMUNICATOR STATUS LEDS

The Communicator has four on board LED indicators. These include a yellow trouble LED, a red Network Connection Status LED, and two green Signal Strength LEDS.

### ▲Yellow Trouble LED

This yellow LED will flash to indicate a trouble on the unit. The number of flashes indicates the type of trouble. See the table below for the coded flashes and the conditions which will activate the Trouble Status LED.

**Table 4: Trouble Status LED**

# OF FLASHES	TROUBLE	# OF FLASHES	TROUBLE
1	Reserved	7	Receiver Not Available Trouble
2	Panel Supervision Trouble	8	Receiver Supervision Trouble
3	Reserved	9	Failure To Communicate Trouble
4	Lockout Trouble	10	Reserved
5	GSM Trouble	11	Remote Programming
6	Ethernet Trouble	12	Module Configuration Trouble

**NOTE: Only the highest priority trouble (1 Flash is highest priority) is indicated. When this trouble is restored, the next highest trouble will indicate, if present. This will continue until all Troubles have been cleared (yellow LED OFF).**

The following paragraphs describe the conditions associated with the trouble indicated:

#### Panel Supervision Trouble (2 Flashes)

This trouble will be indicated when communication between the Communicator module and the control panel fails. If for some reason the module can not communicate with the panel (e.g., loss of power to the panel) the module itself will send a Panel Absent Trouble Event message to the central station receiver. When communication returns, a Panel Absent Restore Event is sent by the module to the central station receiver. Its reporting codes are ET0001 for Trouble, ER0001 for Restore. The panel absent event always uses the primary receiver account code when communicating to the central station.

**NOTE: The Panel Supervision Trouble/Restore is the only internally generated event by the Communicator. All other events are generated by the control panel. This trouble is generated if unit misses 3 Polls (PC9155) or 6 Polls (PC1864). Trouble is restored on receipt of first Poll from the panel.**

#### Lockout Trouble (4 Flashes)

This trouble is indicated for either of the following conditions: SIM Lock Trouble or Network Lock Trouble.

- SIM Lock Trouble. This trouble will signify that the SIM lock feature has been enabled and the unit has not been programmed with the correct PIN for the SIM card. SIM Card Lockout Trouble equates to SIM Lock Trouble or Network Lock Trouble.

- b. **Network Lock Trouble.** This trouble will be indicated when the Network lock feature is enabled and the SIM card inserted in the device does not have access to the network the device is locked to.

**GSM Trouble (5 Flashes)**

This trouble is indicated for any of the following conditions:

- a. **Radio Failure:** Trouble is indicated after 8 failed attempts to communicate with radio.
- b. **SIM Failure:** Trouble is indicated after 10 failed +CPIN commands.
- c. **GSM Network Trouble:** Trouble is indicated for loss of the registration to the network provider. (3 consecutive init or refresh failures, failure to connect to an APN, failure to open a socket, total error count in cyclic command = 20, or on receiving an MSDI (1/2), (7/8/14). Trouble will clear after init and cyclic commands succeed and MIPCALL and MIPOpen commands succeed.
- d. **Insufficient Signal Strength:** Trouble is indicated if calculated average signal strength is too low. (Both green LEDs OFF). Trouble will clear when calculated average signal strength is above minimum requirement.

**Ethernet Trouble (6 Flashes)**

This trouble is indicated when Ethernet link between the transmitter and the local hub or router is absent. This trouble will also be indicated if the unit fails to get DHCP settings from the DHCP server. (not active if Ethernet Receivers are not programmed).

**Receiver Not Available (7 Flashes)**

This trouble is indicated if the unit is not able to successfully initialize with any of the programmed receivers. Unprogrammed receivers are excluded. This trouble is also indicated if the GPRS receiver APNs have not been programmed.

**Receiver Supervision Trouble (8 Flashes)**

This trouble is indicated when receiver supervision is enabled and communication between the Communicator module and the receiver fails. Trouble is indicated if Ethernet 1 is supervised and does not receive a heartbeat from the receiver or GPRS is supervised and the unit does not receive an acknowledgment to 4 heartbeats sent to the receiver.

**FTC Trouble (9 Flashes)**

The Failure to Communicate (FTC) trouble is indicated when the unit fails to communicate module events to the central station. Trouble is displayed after the unit has exhausted all communications attempts to all programmed receivers for events generated by the Communicator.

**Remote Programming (11 Flashes)**

This trouble is indicated during a remote firmware upgrade or during remote DLS programming. Indicates that a remote firmware update is in progress over GPRS/Ethernet. Trouble will clear automatically when update DLS programming session completes successfully.

**Module Configuration Trouble (12 Flashes)**

This trouble is indicated when the System Account Code or the Receiver Account have not been programmed. Disabled receivers are excluded.

 **Red Network Connection Status LED**


**BLINKING:** Indicates communications in progress.

- Once quickly for outgoing Ethernet transmission.
- Twice quickly to indicate incoming Ethernet ACK/NACK.
- Slowly for incoming or outgoing voice call.

**OFF:** This is the normal state of the Red Network Connection Status LED. There are no network connection issues present.

**ON:** There is a problem with the Ethernet or the GPRS network connection. LED will be ON if any of the following occur:

- Ethernet cable is not connected.
- DHCP configuration times out.
- Unit fails to get an IP address from the GPRS network.
- GPRS connection has been reset.

 **(Green LED 1) (Green LED 2) and (Yellow LED) Signal Strength**

*NOTE: If the yellow LED is flashing, Signal Strength in table below is not valid. See Table 7 for troubleshooting.*

**Table 5: Radio Signal Strength**

SIGNAL STRENGTH	CSQ LEVEL	YELLOW LED	GREEN LED 2	GREEN LED 1	SIGNAL LEVEL	ACTION REQUIRED
No Signal	0	ON	OFF	OFF	-108.8 dBm	Check Antenna connections. Confirm GSM service is active. Relocate panel or install an external antenna.
1 Bar	1 - 4	ON	OFF	Flashing	-108 dBm ~ -103 dBm	Relocate panel or install an external antenna.
2 Bars	5 - 6	OFF	OFF	Flashing	-102 dBm ~ -99 dB	If possible, relocate panel or install external antenna.
3 Bars	7 - 10	OFF	OFF	ON	-98 dBm to -91 dBm	Panel location has acceptable GSM signal level.
4 Bars	11-13	OFF	Flashing	ON	-90 dBm to -85 dBm	Panel location has acceptable GSM signal level.
5 Bars	14 +	OFF	ON	ON	-84 dBm and higher	Panel location has acceptable GSM signal level.

*NOTE: The Communicator will indicate GSM Trouble (yellow LED = 5 flashes) if the average CSQ Level is 5 or less.*

**Network Activity LEDs (Red and Green)**

- **Ethernet Activity:** The Red LED will blink quickly once for Ethernet Transmit, or twice for Ethernet Receive.
- **GPRS Activity:** The Green LED 2 will blink quickly once for GPRS Transmit, or twice for GPRS Receive.
- **SMS Activity:** The Green LED 2 will blink quickly once for SMS Transmit, or twice for SMS Receive.

**Factory Defaults Reset**

You can reset the programming options for the Communicator to the factory settings by installing the hardware jumper. Perform the following steps to reset the Communicator:

**NOTE: Two pins require a jumper in order to reset the hardware values.**

1. Remove panel front cover.
2. Locate the AUDIO/DEFAULT five pin connector in the middle of the Communicator board. On the PC1616/1832/1864 panels pins 4 and 5 are on top. (See **Figure 3**). On the PC9155 panel, pins 4 and 5 on right. See **Figure 5**).
3. Apply a jumper to short the hardware default pins 4 and 5 together.
4. Remove all power from the panel and then apply power to the panel. Wait until the two green LEDs on the Communicator begin flashing rapidly. (The Green LEDs will continue to flash as long as the hardware jumper is connected).
5. Remove the jumper from the hardware default pins 4 and 5. (Green LEDs will stop flashing).

**NOTE: Your Communicator has now been reset to the factory default values.**

**Firmware Update**

The firmware of the device can be updated over GPRS or Ethernet. (Remote or Local updating).

- When the firmware update begins, all LEDs are ON.
- During the firmware update process, the LEDs will be cycled individually in a chaser pattern.
- After a successful update the unit will automatically restart.
- Should the update fail, all 4 LEDs will flash ON, then OFF together at 1 second intervals.
- If the firmware update fails, restart the unit. In the event of consistent update failures, contact your dealer.

**Network Data Usage**

**Table 6: Network Data Usage**

PACKET TYPE	DIRECTION	BYTES	PACKET TYPE	DIRECTION	BYTES
Init	Communicator to Receiver	101 Bytes	Contact ID ACK	Receiver to Communicator	49 Bytes
Init ACK	Receiver to Communicator	74 Bytes	Heartbeat 1	Communicator to Receiver	101 Bytes
SIA -Single Event	Communicator to Receiver	124 Bytes	Heartbeat 1 ACK	Receiver to Communicator	74 Bytes
SIA -6 Events	Communicator to Receiver	149 Bytes	Heartbeat 2	Communicator to Receiver	60 Bytes
SIA ACK	Receiver to Communicator	77 Bytes	Heartbeat 2 ACK	Receiver to Communicator	60 Bytes
Contact ID Event	Communicator to Receiver	70 Bytes	Encryption and Supervision Enabled	Both Directions	149 Bytes

**NOTE: With encryption and supervision on, all packets are 149 bytes.**

## APPENDIX A: COMMUNICATOR TROUBLESHOOTING

**Table 7: Trouble LED indications**

TROUBLE INDICATION	TROUBLE/POSSIBLE CAUSES	TROUBLE POSSIBLE SOLUTION
All 4 LEDs OFF	No Power	<ul style="list-style-type: none"> <li>Check your power connections to the control panel and the Communicator module. Confirm PC-LINK cable is properly attached.</li> </ul>
	Power Save Mode (GS2065/TL265GS only)	<ul style="list-style-type: none"> <li>The control panel may be in power save mode (In Power Save mode, the green indicators still indicate incoming and outgoing communications. The yellow status light also continues to function in power save mode.</li> <li>Check the AC source to the control panel.</li> </ul>
	Keypad Blanking Mode (GS2065/TL265GS only)	<ul style="list-style-type: none"> <li>The control panel may be in keypad blanking. Press a key on a keypad to remove blanking momentarily.</li> </ul>
Yellow LED – ON Solid	Insufficient Signal Strength	<ul style="list-style-type: none"> <li>Ensure the antenna is securely connected to the radio. Check the cable connection to the radio.</li> <li>If a whip antenna is used ensure the antenna is securely screwed on to the antenna cable connector and internally connected to radio.</li> <li>Confirm that GSM network service is active in your area.</li> </ul>
Trouble LED – 2 Flashes	Panel Supervision Trouble	<ul style="list-style-type: none"> <li>Check panel Option [382] Toggle Option[ 5] is set to ON.(GPRS/Ethernet Module Enabled)</li> <li>Ensure the PC-Link cable between the control panel and Communicator is connected properly (not reversed) and is securely in place.</li> </ul>
Yellow LED - 4 Flashes	Lockout Trouble	<ul style="list-style-type: none"> <li>The SIM card has incorrect PIN programmed or has a PIN that the module does not recognize. Try a different SIM card.</li> <li>The module has been locked to a specific carriers network and you are trying to use the device on an unsupported network. Use the device on the network it is intended to be used with.</li> </ul>
Yellow LED – 5 Flashes	GSM Trouble	<ul style="list-style-type: none"> <li>Confirm that GSM service is available and active in your area.</li> <li>Check antenna connections.</li> <li>Ensure there is adequate radio signal strength. (See Table 5).</li> <li>Ensure the SIM card is properly inserted into the SIM card holder.</li> <li>Ensure the SIM card has been activated.</li> <li>If this trouble persists, you must relocate the Communicator , or install an external antenna extension kit.</li> </ul>
Yellow LED – 6 Flashes	Ethernet Trouble	<ul style="list-style-type: none"> <li>Check with your ISP to confirm network service is active in your area.</li> <li>Ensure your Ethernet cable is securely inserted into the RJ45 jack of the Communicator and the Hub/Router/ Switch.</li> <li>Check the link light on the Hub is ON . If link light is OFF, try restarting the HUB. If problem persists, replace the Ethernet cable.</li> <li>If DHCP is used, ensure that the unit has an assigned IP address from the server. In Panel Section [851] [992] verify a valid IP address is programmed. If not contact the Network administrator.</li> </ul>
Yellow LED – 7 Flashes	Receiver Not Available	<ul style="list-style-type: none"> <li>Ensure that the Ethernet path has internet connectivity.</li> <li>Confirm that SIM does not have a custom APN. The unit will not allow connection to the internet with custom APNs.</li> <li>If you are using a static IP address make sure the gateway and subnet mask are entered correctly.</li> <li>If the network has a firewall, ensure the network has the programmed outgoing ports open (Default UDP Port 3060 and Port 3065)</li> <li>Ensure that all the receivers are programmed for DHCP or have the proper IP address and port number.</li> <li>Ensure the GPRS Receiver APNs have been programmed with the Access Point Name provided by your GSM provider.</li> </ul>
Yellow LED – 8 Flashes	Receiver Supervision Trouble	<ul style="list-style-type: none"> <li>This trouble is indicated when supervision is enabled and the unit is not able to successfully communicate with the receiver.</li> <li>If this trouble persists, contact your central station.</li> </ul>
Yellow LED - 9 Flashes	FTC Trouble	<ul style="list-style-type: none"> <li>The unit has exhausted all communications attempts to all programmed receiver for events generated by the Communicator.</li> <li>Restart the system, if trouble persists, contact your dealer.</li> </ul>
Yellow LED – 11 Flashes	Remote Programming	<ul style="list-style-type: none"> <li>The LEDs will flash when a remote firmware upgrade is in progress over Ethernet or GPRS. The LEDs will extinguish when update is complete.</li> <li>The LEDs will flash to indicate a remote DLS programming session is active over Ethernet or GPRS. The LEDs will extinguish when the DLS session has been successfully terminated.</li> </ul>
Yellow LED – 12 Flashes	Module Configuration Trouble	<ul style="list-style-type: none"> <li>This indication appears when Section [021] System Account Code or Section [101]; [111]; [201]; and [211] Receiver Account Code have not been programmed. Ensure that a valid account code has been entered in these Sections.</li> </ul>
All LEDs flashing together	Boot Loader Failed	<ul style="list-style-type: none"> <li>Disconnect then reconnect power to the Communicator module.</li> </ul>
Red and Yellow LEDs flashing at the same time	Initialization Sequence	<ul style="list-style-type: none"> <li>The unit is still initializing please wait while the unit establishes a connection to all programmed receivers. Note that this process may take several minutes.</li> </ul>
Only Green LEDs flashing	Hardware Default Jumper	<ul style="list-style-type: none"> <li>The hardware default jumper must be removed. See Figure 3 and Figure 5.</li> </ul>

**IMPORTANT - READ CAREFULLY: DSC Software purchased with or without Products and Components is Copyrighted and is purchased under the following license terms:**

**End User License Agreement**

This End-User License Agreement (EULA) is a legal agreement between You (the company, individual or entity who acquired the SOFTWARE and any related HARDWARE) and Digital Security Controls (DSC), a division of Tyco Safety Products Canada Ltd., the manufacturer of the integrated security systems and the developer of the software and any related products or components ("HARDWARE") which you acquired.

If the DSC software product ("SOFTWARE PRODUCT" or "SOFTWARE") is intended to be accompanied by HARDWARE, and is NOT accompanied by new HARDWARE, You may not use, copy or install the SOFTWARE PRODUCT. The SOFTWARE PRODUCT includes computer software, and may include associated media, printed materials, and "online" or electronic documentation.

Any software provided along with the SOFTWARE PRODUCT that is associated with a separate EULA is licensed to You under the terms of that license agreement.

By installing, copying, downloading, storing, accessing, or otherwise using the SOFTWARE PRODUCT, You agree unconditionally to be bound by the terms of this EULA, even if this EULA is deemed to be a modification of any previous arrangement or contract. If you do not agree to the terms of this EULA, DSC is unwilling to license the SOFTWARE PRODUCT to You, and You have no right to use it.

**F. SOFTWARE PRODUCT LICENSE**

The SOFTWARE PRODUCT is protected by copyright laws and international copyright treaties, as well as other intellectual property laws and treaties. The SOFTWARE PRODUCT is licensed, not sold, under the following terms:

**1. GRANT OF LICENSE** This EULA grants You the following rights:

**(a) Software Installation and Use** - For each license You acquire, You may have only one copy of the SOFTWARE PRODUCT installed.

**(b) Storage/Network Use** - The SOFTWARE PRODUCT may not be installed, accessed, displayed, run, shared or used concurrently on or from different computers, including a workstation, terminal or other digital electronic device ("Device"). In other words, if You have several workstations, You will have to acquire a license for each workstation where the SOFTWARE will be used.

**(c) Backup Copy** - You may make back-up copies of the SOFTWARE PRODUCT, but You may only have one copy per license installed at any given time. You may use the back-up copy solely for archival purposes. Except as expressly provided in this EULA, You may not otherwise make copies of the SOFTWARE PRODUCT, including the printed materials accompanying the SOFTWARE.

**2. DESCRIPTION OF OTHER RIGHTS AND LIMITATIONS**

**(a) Limitations on Reverse Engineering, Decompilation and Disassembly** - You may not reverse engineer, decompile, or disassemble the SOFTWARE PRODUCT, except and only to the extent that such activity is expressly permitted by applicable law notwithstanding this limitation. You may not make any changes or modifications to the Software, without the written permission of an officer of DSC. You may not remove any proprietary notices, marks or labels from the Software Product. You shall institute reasonable measures to ensure compliance with the terms and conditions of this EULA.

**(b) Separation of Components** - The SOFTWARE PRODUCT is licensed as a single product. Its component parts may not be separated for use on more than one HARDWARE unit.

**(c) Single INTEGRATED PRODUCT** - If You acquired this SOFTWARE with HARDWARE, then the SOFTWARE PRODUCT is licensed with the HARDWARE as a single integrated product. In this case, the SOFTWARE PRODUCT may only be used with the HARDWARE as set forth in this EULA.

**(d) Rental** - You may not rent, lease or lend the SOFTWARE PRODUCT. You may not make it available to others or post it on a server or web site.

**(e) Software Product Transfer** - You may transfer all of Your rights under this EULA only as part of a permanent sale or transfer of the HARDWARE, provided You retain no copies, You transfer all of the SOFTWARE PRODUCT (including all component parts, the media and printed materials, any upgrades and this EULA), and provided the recipient agrees to the terms of this EULA. If the SOFTWARE PRODUCT is an upgrade, any transfer must also include all prior versions of the SOFTWARE PRODUCT.

**(f) Termination** - Without prejudice to any other rights, DSC may terminate this EULA if You fail to comply with the terms and

conditions of this EULA. In such event, You must destroy all copies of the SOFTWARE PRODUCT and all of its component parts.

**(g) Trademarks** - This EULA does not grant You any rights in connection with any trademarks or service marks of DSC or its suppliers.

**3. COPYRIGHT** - All title and intellectual property rights in and to the SOFTWARE PRODUCT (including but not limited to any images, photographs, and text incorporated into the SOFTWARE PRODUCT), the accompanying printed materials, and any copies of the SOFTWARE PRODUCT, are owned by DSC or its suppliers. You may not copy the printed materials accompanying the SOFTWARE PRODUCT. All title and intellectual property rights in and to the content which may be accessed through use of the SOFTWARE PRODUCT are the property of the respective content owner and may be protected by applicable copyright or other intellectual property laws and treaties. This EULA grants You no rights to use such content. All rights not expressly granted under this EULA are reserved by DSC and its suppliers.

**4. EXPORT RESTRICTIONS** - You agree that You will not export or reexport the SOFTWARE PRODUCT to any country, person, or entity subject to Canadian export restrictions.

**5. CHOICE OF LAW** - This Software License Agreement is governed by the laws of the Province of Ontario, Canada.

**6. ARBITRATION** - All disputes arising in connection with this Agreement shall be determined by final and binding arbitration in accordance with the Arbitration Act, and the parties agree to be bound by the arbitrator's decision. The place of arbitration shall be Toronto, Canada, and the language of the arbitration shall be English.

**7. LIMITED WARRANTY**

**(a) NO WARRANTY** - DSC provides the SOFTWARE 'as is' without warranty. DSC does not warrant that the SOFTWARE will meet your requirements or that operation of the SOFTWARE will be uninterrupted or error free.

**(b) CHANGES IN OPERATING ENVIRONMENT** - DSC shall not be responsible for problems caused by changes in the operating characteristics of the hardware, or for problems in the interaction of the SOFTWARE with non DSC software or hardware products.

**(c) LIMITATION OF LIABILITY; WARRANTY REFLECTS ALLOCATION OF RISK** - In any event, if any statute implies warranties or conditions not stated in this license agreement, entire liability under any provision of this license agreement shall be limited to the greater of the amount actually paid by you to license the SOFTWARE and five Canadian dollars (CAD\$5.00), because some jurisdictions do not allow the exclusion or limitation of liability for consequential or incidental damages, the above limitation may not apply to you.

**(d) DISCLAIMER OF WARRANTIES** - This warranty contains the entire warranty and shall be in lieu of any and all other warranties, whether expressed or implied (including all implied warranties of merchantability or fitness for a particular purpose) and of all other obligations or liabilities on the part of DSC. DSC makes no other warranties. DSC neither assumes nor authorizes any other person purporting to act on its behalf to modify or to change this warranty, nor to assume for it any other warranty or liability concerning this SOFTWARE PRODUCT.

**(e) EXCLUSIVE REMEDY AND LIMITATION OF WARRANTY** - Under no circumstances shall DSC be liable for any special, incidental, consequential or indirect damages based upon breach of warranty, breach of contract, negligence, strict liability, or any other legal theory. Such damages include, but are not limited to, loss of profits, loss of the SOFTWARE or any associated equipment, cost of capital, cost of substitute or replacement equipment, facilities or services, down time, purchasers time, the claims of third parties, including customers, and injury to property.

**WARNING: DSC RECOMMENDS THAT THE ENTIRE SYSTEM BE COMPLETELY TESTED ON A REGULAR BASIS. HOWEVER, DESPITE FREQUENT TESTING, AND DUE TO, BUT NOT LIMITED TO, CRIMINAL TAMPERING OR ELECTRICAL DISRUPTION, IT IS POSSIBLE FOR THIS SOFTWARE PRODUCT TO FAIL TO PERFORM AS EXPECTED.**

## Limited Warranty

Digital Security Controls (DSC) warrants the original purchaser that for a period of twelve (12) months from the date of purchase, the product shall be free of defects in materials and workmanship under normal use. During the warranty period, Digital Security Controls shall, at its option, repair or replace any defective product upon return of the product to its factory, at no charge for labour and materials. Any replacement and/or repaired parts are warranted for the remainder of the original warranty or ninety (90) days, whichever is longer. The original purchaser must promptly notify Digital Security Controls in writing that there is defect in material or workmanship, such written notice to be received in all events prior to expiration of the warranty period. There is absolutely no warranty on software and all software products are sold as a user license under the terms of the software license agreement included with the product. The Customer assumes all responsibility for the proper selection, installation, operation and maintenance of any products purchased from DSC. Custom products are only warranted to the extent that they do not function upon delivery. In such cases, DSC can replace or credit at its option.

## International Warranty

The warranty for international customers is the same as for any customer within Canada and the United States, with the exception that Digital Security Controls shall not be responsible for any customs fees, taxes, or VAT that may be due.

## Warranty Procedure

To obtain service under this warranty, please return the item(s) in question to the point of purchase. All authorized distributors and dealers have a warranty program. Anyone returning goods to Digital Security Controls must first obtain an authorization number. Digital Security Controls will not accept any shipment whatsoever for which prior authorization has not been obtained.

## Conditions to Void Warranty

This warranty applies only to defects in parts and workmanship relating to normal use. It does not cover:

- damage incurred in shipping or handling;
- damage caused by disaster such as fire, flood, wind, earthquake or lightning;
- damage due to causes beyond the control of Digital Security Controls such as excessive voltage, mechanical shock or water damage;
- damage caused by unauthorized attachment, alterations, modifications, or foreign objects;
- damage caused by peripherals (unless such peripherals were supplied by Digital Security Controls);
- defects caused by failure to provide a suitable installation environment for the products;
- damage caused by use of the products for purposes other than those for which it was designed;
- damage from improper maintenance; or
- damage arising out of any other abuse, mishandling or improper application of the products.

## Items Not Covered by Warranty

In addition to the items which void the Warranty, the following items shall not be covered by Warranty:

- (i) freight cost to the repair centre;
- (ii) products which are not identified with DSC's product label and lot number or serial number; or
- (iii) products disassembled or repaired in such a manner as to adversely affect performance or prevent adequate inspection or testing to verify any warranty claim.

Access cards or tags returned for replacement under warranty will be credited or replaced at DSC's option. Products not covered by this warranty, or otherwise out of warranty due to age, misuse, or damage shall be evaluated, and a repair estimate shall be provided. No repair work will be performed until a valid purchase order is received from the Customer and a Return Merchandise Authorization number (RMA) is issued by DSC's Customer Service.

Digital Security Controls' liability for failure to repair the product under this warranty after a reasonable number of attempts will be limited to a replacement of the product, as the exclusive remedy for breach of warranty. Under no circumstances shall Digital Security Controls be liable for any special, incidental, or consequential damages based upon breach of warranty, breach of contract, negligence, strict liability, or any other legal theory. Such damages include, but are not limited to, loss of profits, loss of the product or any associated equipment, cost of capital, cost of substitute or replacement equipment, facilities or services, down time, purchaser's time, the claims of third parties, including customers, and injury to property. The laws of some jurisdictions limit or do not allow the disclaimer of consequential damages. If the laws of such a jurisdiction apply to any claim by or against DSC, the limitations and disclaimers contained here shall be to the greatest extent permitted by law. Some states do not allow the exclusion or limitation of incidental or consequential damages, so that the above may not apply to you.

## Disclaimer of Warranties

This warranty contains the entire warranty and shall be in lieu of any and all other warranties, whether expressed or implied (including all implied warranties of merchantability or fitness for a particular purpose) and of all other obligations or liabilities on the part of Digital Security Controls. Digital Security Controls neither assumes responsibility for nor authorizes any other person purporting to act on its behalf to modify or to change this warranty, nor to assume for it any other warranty or liability concerning this product.

This disclaimer of warranties and limited warranty are governed by the laws of the province of Ontario, Canada.

**WARNING: DIGITAL SECURITY CONTROLS RECOMMENDS THAT THE ENTIRE SYSTEM BE COMPLETELY TESTED ON A REGULAR BASIS. HOWEVER, DESPITE FREQUENT TESTING, AND DUE TO, BUT NOT LIMITED TO, CRIMINAL TAMPERING OR ELECTRICAL DISRUPTION, IT IS POSSIBLE FOR THIS PRODUCT TO FAIL TO PERFORM AS EXPECTED.**

## Out of Warranty Repairs

Digital Security Controls will at its option repair or replace out-of-warranty products which are returned to its factory according to the following conditions. Anyone returning goods to Digital Security Controls must first obtain an authorization number. Digital Security Controls will not accept any shipment whatsoever for which prior authorization has not been obtained.

Products which Digital Security Controls determines to be repairable will be repaired and returned. A set fee which Digital Security Controls has predetermined and which may be revised from time to time, will be charged for each unit repaired.



**Français**

<b>Introduction</b> .....	<b>15</b>
Montage du panneau .....	15
Caractéristiques .....	15
Caractéristiques techniques .....	15
Valeurs nominales .....	15
Compatibilité .....	16
Chiffrement .....	16
<b>Configuration du Communicator avant installation</b> .....	<b>16</b>
Installation du câble Ethernet (TL260GS/TL265GS seulement) .....	16
Insertion et dépose de la carte SIM .....	16
Activation du compte DLS IV (avant l'installation) .....	16
<b>Installation du Communicator GSM/ETHERNET dans l'armoire</b> .....	<b>17</b>
Installation du Communicator GS2060/TL260GS avec le panneau PC1616/1832/1864 .....	17
Programmation du PC1616/1832/1864 .....	18
Défauts de Communicator affichés sur un panneau PC1616/1832/1864 .....	18
Installation du GS2065/TL265GS avec le panneau PC9155 .....	19
Fonction d'économie d'énergie (GS2065/TL265 seulement) .....	20
Défauts de Communicator affichés sur un panneau PC9155 .....	20
<b>Test d'emplacement de Communicator</b> .....	<b>20</b>
<b>Programmation à distance</b> .....	<b>21</b>
Programmation par DLS IV : .....	21
Programmation par Ethernet/Internet : .....	21
<b>Témoins LED d'état du Communicator</b> .....	<b>21</b>
Témoin LED jaune de défaut .....	21
Témoin LED rouge d'état de connexion réseau .....	22
(Témoin LED vert 1) (Témoin LED vert 2) et (Témoin LED jaune) Signal Strength (Force du signal) .....	23
<b>Réinitialisation du Communicator/Mise à jour/Utilisation du réseau de données</b> .....	<b>23</b>
Retour aux valeurs d'usine par défaut .....	23
Mise à jour du logiciel interne .....	23
Utilisation du réseau de données .....	23
<b>Annexe A : Dépannage du Communicator</b> .....	<b>24</b>

**NOTE :**

Ce document n'inclut pas la programmation du module GPRS/Ethernet (Section de panneau [851]). Consultez le document Fiches de programmation DSC – Référence 29007619R001, inclus avec le Communicator. Les instructions d'installation de ce document ne concernent que les Communicator GS2060/GS2065 et TL260GS/TL265GS.

**IMPORTANT**

Le Communicator GPRS/Ethernet est fixe, à fixation murale et doit être installé dans la position spécifiée dans ces instructions. Le boîtier de l'équipement doit être totalement monté et fermé, avec toutes ses vis et languettes, et fixé au mur avant utilisation. Le câblage interne doit être passé de façon à éviter :

- Toute contrainte excessive sur les fils et branchements des bornes,
- Les interférences entre les câblages de puissance limitée et de puissance non limitée,
- Le desserrage des bornes, ou
- Les dégâts à l'isolation des conducteurs.

**AVERTISSEMENT : Ne jamais installer cet équipement pendant un orage avec éclairs !**

L'installateur doit préciser à l'utilisateur du système chacun des points suivants :

- Ne pas tenter d'intervenir sur ce produit. L'ouverture ou la dépose des capots peut exposer l'utilisateur à des tensions dangereuses ou autres risques.
- Toute intervention doit être confiée exclusivement à du personnel d'entretien formé.
- N'utiliser que des accessoires agréés avec cet équipement.

# ATTENTION à lire attentivement

## Note pour les installateurs

Cette mise en garde contient des informations vitales. En tant que seul individu en contact avec les utilisateurs du système, c'est à vous qu'incombe la responsabilité d'attirer l'attention des utilisateurs du système sur chaque élément de cette mise en garde.

## Pannes de Système

Ce système a été soigneusement conçu pour être aussi efficace que possible. Toutefois, dans des circonstances, où il y a feu, cambriolage ou autre genre d'urgences, il ne peut pas fournir de protection. Tout système d'alarme quel qu'il soit peut être saboté ou peut ne pas fonctionner comme prévu pour plusieurs raisons. Certaines de ces raisons sont notamment :

### • Mauvaise Installation

Un système de sécurité doit être correctement installé pour offrir une protection adéquate. Chaque installation doit être évaluée par un professionnel de la sécurité pour s'assurer que tous points d'accès et aires sont couvertes. Serrures et loquets sur les fenêtres et portes doivent être bien fermés et fonctionner comme prévu. Les matériels de construction des fenêtres, portes, murs, plafonds et autres doivent assez solides pour assurer le niveau de protection attendue. Une réévaluation doit être effectuée pendant et après toute construction. Une évaluation par les sapeurs-pompiers et/ou les services de police est grandement recommandée si ce service est offert.

### • Connaissances Criminelles

Ce système contient des fonctions de sécurité reconnues efficaces au moment de la fabrication. Il est possible que des personnes ayant des intentions criminelles élaborent des techniques qui réduisent l'efficacité de ces fonctions. Il est important qu'un système sécurité soit réexaminé périodiquement pour assurer que ces fonctions restent fonctionnelles et pour les actualiser ou les remplacer si elles n'assurent plus la protection attendue.

### • Accès par des Intrus

Des intrus peuvent entrer par un point d'accès non protégé en contournant une unité de détection, échapper à une détection en se déplaçant dans une zone à couverture insuffisante, déconnecter une unité d'alerte, ou interférer avec le système ou empêcher son fonctionnement normal.

### • Panne de Courant

Les unités de Contrôle, les détecteurs d'intrusion, les détecteurs de fumée et bien d'autres dispositifs de sécurité nécessitent une alimentation électrique pour fonctionner normalement. Si un dispositif fonctionne à partir de piles, il est possible que les piles faiblissent. Même si les piles ne sont pas faibles, elles doivent être changées, en bonne condition et installées correctement. Si un dispositif ne fonctionne que par courant électrique, toute interruption, même brève, rendra ce dispositif inopérant pendant la durée de la coupure de courant. Les coupures de courant, quelle qu'en soit la durée, sont souvent accompagnées par des fluctuations de voltage qui peuvent endommager l'équipement électronique tel qu'un système de sécurité. Après qu'une coupure de courant s'est produite, effectuez immédiatement un test complet du système pour vous assurer que le système fonctionne correctement.

### • Panne de Piles Remplaçables

Les transmetteurs sans fils de ce système ont été conçus pour fournir plusieurs années d'autonomie de piles sous des conditions normales. La durée de vie de la pile dépend de l'environnement du dispositif, de utilisation et du type de pile. Les conditions ambiantes telles que l'humidité élevée, des températures très élevée ou très basses, ou de grosses différences de température peuvent réduire la durée de vie de la pile. Bien que chaque dispositif de transmission possède un dispositif de surveillance de pile faible et qu'il indique quand les piles ont besoin d'être remplacées, il peut ne pas fonctionner comme prévu. Des tests et un entretien régulier garderont le système dans de bonne condition de fonctionnement.

### • Limites de fonctionnement des Dispositifs de Fréquence Radio (Sans Fils)

Les signaux peuvent ne pas atteindre le récepteur dans toutes les circonstances qui pourraient inclure objets métalliques placés sur ou à côté du chemin radio ou blocage délibéré ou autre interférence du signal radio commis par inadvertance.

### • Les Utilisateurs du Système

Un utilisateur peut ne pas être en mesure de faire fonctionner un interrupteur de panique ou d'urgence à cause d'une invalidité permanente ou temporaire, d'une incapacité d'atteindre le dispositif à temps, ou d'un manque de connaissance de la bonne fonction. Il est important que tous les utilisateurs du système soient formés sur le bon fonctionnement du système d'alarme pour qu'ils sachent comment réagir quand le système indique une alarme.

### • Détecteurs de Fumée

Les détecteurs de fumée qui font partie du système peuvent ne pas bien alerter les occupants d'un endroit en feu pour un certains nombre de raisons, en voici quelques une. Les détecteurs de fumée peuvent avoir été mal installés ou positionnés. La fumée peut ne pas

pourvoir atteindre les détecteurs de fumée, par exemple : un incendie dans une cheminée, murs ou toits, ou de l'autre côté de portes fermées. Les détecteurs de fumée peuvent ne pas détecter la fumée provenant d'incendies à un autre niveau de la résidence ou du bâtiment.

Tous les incendies diffèrent par la quantité de fumée produite et le taux de combustion. Les détecteurs de fumée ne peuvent pas détecter de la même manière tous les types d'incendies. Les détecteurs de fumée ne fournissent pas d'avertissement opportun d'un incendie causé par une imprudence ou un manque de sécurité tels que fumer dans le lit, explosions violentes, fuites de gaz, mauvais rangement de produits inflammables, circuits électriques surchargés, enfants jouant avec des allumettes.

Même si le détecteur de fumée fonctionnant comme prévu, dans certaines circonstances il n'y a pas assez de préavis pour permettre à tous les occupants de s'enfuir à temps pour éviter blessure ou mort.

### • Détecteurs de mouvement

Les détecteurs de mouvement ne peuvent détecter le mouvement que dans les zones désignées, conformément aux instructions d'installation. Ils ne peuvent pas distinguer entre intrus et occupants. Les détecteurs de mouvement ne fournissent pas de protection de zone volumétrique. Ils ont de multiples rayons de détection et les mouvements ne peuvent être détectés que dans des zones non obstrués et couvertes par ces rayons. Ils ne peuvent détecter les mouvements qui se produisent derrière les murs, plafonds, sol, portes fermées, cloisons vitrées, portes vitrées ou fenêtres. Tout type de problème qu'il soit intentionnel ou non tels camouflages, peinture ou vaporisation de matériel sur les lentilles, miroirs, fenêtres ou toute autre partie du système de détection l'empêchera de son fonctionner normalement.

Les Détecteurs de mouvement à infra-rouge passif fonctionnent en détectant les changements de température. Cependant leur fonctionnement peut être inhibé quand la température ambiante s'approche ou dépasse la température du corps ou s'il y a des sources de chaleur intentionnelles ou non intentionnelles dans la zone de détection ou à côté de celle-ci. Quelques une de ces sources de chaleur peuvent être chauffages, radiateurs, fours, barbecues, cheminées, lumière du soleil, éclairages, etc.

### • Dispositifs d'Avertissement

Les dispositifs d'avertissement tels que sirènes, cloches, klaxons ou lumières stroboscopiques n'avertissent pas les gens ou ne réveillent pas quelqu'un qui dort s'il y a un mur ou une porte fermée. Si les dispositifs d'avertissement sont placés à un autre niveau de la résidence ou du local, alors il est probable que les occupants ne seront pas alertés ou réveillés. Les dispositifs d'avertissement audibles peuvent interférer avec d'autres sources de bruit tels stéréo, radios, télévisions, climatiseurs ou autres unités électriques, ou la circulation. Les dispositifs d'avertissement audibles, même bruyants, ne peuvent pas être entendus par une personne malentendante.

### • Lignes Téléphoniques

Si les lignes téléphoniques sont utilisées pour transmettre des alarmes, elles peuvent être hors d'usage ou occupées pendant une certaine période de temps. Un intrus peut également couper la ligne téléphonique ou provoquer son dérangement par des moyens plus sophistiqués parfois difficiles à détecter.

### • Insuffisance de temps

Ils peut y avoir des circonstances où le système fonctionne comme prévu, mais où les occupants ne seront pas protégés à cause de leur incapacité à répondre aux avertissements dans un temps alloué. Si le système est connecté à un poste de surveillance, l'intervention peut ne pas arriver à temps pour protéger les occupants ou leurs biens.

### • Panne d'un élément

Bien que tout les efforts ont été faits pour rendre le système aussi fiable que possible, le système peut mal fonctionner à cause de la panne d'un élément.

### • Test Insuffisant

La plupart des problèmes qui pourraient empêcher un système d'alarme de fonctionner normalement peuvent être découverts en testant et entretenant le système régulièrement. L'ensemble du système devrait être testé hebdomadairement et immédiatement après une entrée par effraction, une tentative d'entrée par effraction, un incendie, une tempête, un tremblement de terre, un accident ou toute sorte de construction à l'intérieur des lieux. Le test doit comporter tous les dispositifs de détection, claviers, consoles, dispositifs d'indication d'alarme et tout autre dispositif de fonctionnement qui font partie du système.

### n Sécurité et Assurance

Sans tenir compte de ses capacités, un système d'alarme n'est pas un substitut d'assurance sur la propriété ou d'assurance vie. Un système d'alarme n'est pas un substitut de propriété, locataires ou autres occupants pour agir prudemment afin d'empêcher ou de minimiser les effets nuisibles d'une situation d'urgence.

## INTRODUCTION

**GS2060/GS2065** : Communicator d'alarme sans fil GPRS/GSM (General Packet Radio Service/Global System for Mobile) envoyant les communications d'alarme aux récepteurs de station centrale Sur-Gard System I, II et III (SG-DRL3IP) par un réseau cellulaire numérique GPRS/GSM.

**TL260GS/TL265GS** : Communicator d'alarme par réseau double GSM/Ethernet envoyant les communications d'alarme au récepteur de station centrale Sur-Gard System I et III par Ethernet/Internet ou par réseau cellulaire numérique GPRS/GSM.

Le Communicator peut être utilisé comme Communicator primaire ou de secours. Le Communicator assure la transmission par IP (Internet Protocol) des événements de panneau et internes sur Ethernet/Internet et/ou GSM/GPRS. Le Communicator peut fournir une notification d'événement par SMS (Short Message Service) et autorise la communication SMS interactive avec des services tiers par GPRS et Ethernet selon le protocole ITV2.

Les performances GPRS/GSM des **GS2060/GS2065/TL260GS/TL265GS** Communicator dépendent largement de la couverture du réseau GSM. Le montage à l'emplacement définitif ne doit pas se faire sans effectuer le Test d'emplacement de Communicator en page 20 pour déterminer le meilleur emplacement de réception radio (minimum un témoin LED vert **allumé**). Des kits d'antenne en option sont disponibles auprès de DSC à l'adresse : <http://www.DSC.com>.

**NOTE : Avant l'installation du Communicator, vérifiez auprès de votre opérateur qu'un réseau GPRS/GSM est disponible et actif dans la zone où le Communicator sera installé et que la force du signal radio est suffisante.**

### Montage du panneau

Les Communicator suivants sont compatibles avec les panneaux de contrôle PC1616/PC1832/PC1864:

• **GS2060** (GPRS/GSM seulement) • **TL260GS** (Ethernet/Internet + GPRS/GSM par réseau double)

Les modèles Communicator suivants sont compatibles avec le panneau de contrôle PC9155 :

• **GS2065** (GPRS/GSM seulement) • **TL265GS** (Ethernet/Internet + GPRS/GSM par réseau double)

**NOTE : Pour l'installation du GS2065, le modèle est 9155G. Pour l'installation du TL265GS, le modèle est 9155D.**

### Caractéristiques

- Chiffrement AES 128 bits par GPRS/GSM et Ethernet/Internet (certificat de validation NIST No 995)
- Programmation avancée locale et distante par DSC DLS IV.
- Communication d'alarme GPRS/GSM de secours ou principale.
- Réseau local ou étendu Ethernet 10/100 BaseT (TL260GS/TL265GS seulement).
- Signalisation complète d'événement.
- Programmation complète au clavier (GS2065 et TL265GS seulement).
- Communication d'alarme totalement redondante par réseau double Ethernet/Internet et GPRS/GSM (TL260GS/TL265GS seulement).
- Transmission de test périodique individuel par Ethernet et/ou GPRS.
- Code installateur.
- Routage d'appel intégré.
- Possibilité de téléchargement/envoi au panneau distant par GPRS/GSM et Ethernet/Internet.
- Connexion PC-Link.
- Étiquettes programmables (synchronisation automatique des étiquettes de zone et de partition avec les panneaux 9155 v1.1+ seulement).
- Commandes et messages de réponses SMS programmables dans 28 langues par messages texte de téléphone portable.
- Fonctionnement quadribande : 850 MHz, 900 MHz, 1800 MHz et 1900 MHz.
- Format SIA (Contact ID GS2065/TL265GS V1.1 seulement).
- Affichage de la force du signal et de défaut.
- Battements de cœur de supervision par GPRS/GSM et Ethernet/Internet.

### Caractéristiques techniques

**L'alimentation doit être de classe II, de puissance limitée. (C'est-à-dire pas plus de 30 V ou 8 A pour un total maximum de 100 VA).**

### Valeurs nominales

Tableau 1 : Valeurs nominales du Communicator

MODÈLE	GS2060 GPRS/GSM SEULEMENT	TL260GS ETHERNET ET GPRS	GS2065 GPRS/GSM SEULEMENT	TL265GS ETHERNET ET GPRS
<b>VALEURS NOMINALES D'ALIMENTATION</b>				
• Tension d'entrée	11,1 ~ 12,6 V CC : La sortie sonnerie du panneau sera réduite : 700 mA – (mA Communicator) = sortie sonnerie réduite.		11,1 ~ 12,6 V CC (Depuis le connecteur PC-Link)	
<b>CONSOMMATION DE COURANT</b>				
• Courant de veille	65 mA sous 12 V	100 mA sous 12 V	65 mA sous 12 V	100 mA sous 12 V
• Courant d'alarme (émission)	400 mA sous 12 V en émission			
• Fréquence de fonctionnement	Quadribande 850 MHz, 900 MHz, 1800 MHz, 1900 MHz			
• Gain d'antenne typique	2 db			
<b>CARACTÉRISTIQUES D'ENVIRONNEMENT</b>				
• Température d'utilisation	-10 °C à 55 °C (14 °F à 131 °F)			
• Humidité	5 % à 93 % humidité relative, sans condensation			
<b>CARACTÉRISTIQUES MECANIQUES</b>				
• Dimensions de la carte (mm)	100 × 150 × 15	100 × 150 × 18	100 × 150 × 15	100 × 150 × 18
• Poids (grammes)	310 (avec support de fixation)	320 (avec support de fixation)	68	78

Tableau 2 : Récepteurs, panneaux de contrôle et armoires compatibles

COMMUNICATOR	RÉCEPTEUR/ PANNEAU	DESCRIPTION
GS2060/TL260GS GS2065/TL265GS	Récepteur	<ul style="list-style-type: none"> <li>• Récepteur Sur-Gard System I, version 1.1+</li> <li>• Récepteur Sur-Gard System II, version 2.0+</li> <li>• Sur-Gard SG-DRL3-IP, version 2.2+ (pour le récepteur Sur-Gard System III)</li> </ul>
GS2060/TL260GS	Panneau de contrôle et armoires	<ul style="list-style-type: none"> <li>• Power Series PC1864, version 4.3+</li> <li>• Power Series PC1832, version 4.3+</li> <li>• Power Series PC1616, version 4.3+</li> <li>• Armoires : PC5003C/PC4050C</li> </ul>
GS2065/TL265GS	Panneau de contrôle	<ul style="list-style-type: none"> <li>• PC9155 version 1.1+</li> </ul>

## CONFIGURATION DU COMMUNICATOR AVANT INSTALLATION

Ce Communicator GSM/Ethernet est fixe et doit être installé exclusivement par du personnel spécialisé. (Personnel spécialisé s'entend d'une personne disposant de l'expérience et de la formation technique nécessaires pour connaître les dangers auxquels elle peut être exposée dans l'accomplissement d'une tâche ainsi que des mesures à prendre pour réduire les risques vis-à-vis d'elle-même ou des autres personnes). Le Communicator ne doit être installé et utilisé que dans un environnement à un degré de pollution maximal 2, des surtensions de catégorie II, à l'intérieur et en zone non dangereuse. Ce manuel doit être utilisé avec le manuel d'installation du panneau de contrôle d'alarme connecté au Communicator GSM/Ethernet. Toutes les instructions spécifiées dans le manuel du panneau doivent être respectées.

### Chiffrement

Le Communicator utilise le chiffrement AES 128 bits. Le chiffrement ne peut être activé que depuis le récepteur de la station de surveillance. Chaque récepteur peut activer ou désactiver indépendamment le chiffrement. Quand le chiffrement est activé, la station centrale configure l'appareil pour chiffrer les communications vers ce récepteur lors de la prochaine communication du module transmetteur avec ce récepteur.

**NOTE : Les paquets ne commenceront d'être chiffrés qu'après l'envoi du prochain événement à ce récepteur, ou en cas de redémarrage de l'appareil.**

### Installation du câble Ethernet (TL260GS/TL265GS seulement)

Un câble Ethernet Catégorie 5 (CAT 5) doit être tiré d'une source disposant d'une connectivité Ethernet/Internet jusqu'au module Communicator, dans l'armoire du panneau de contrôle. Le côté Communicator du câble doit être équipé d'une fiche RJ45, à connecter à la prise RJ45 du Communicator. Toutes les exigences d'installation d'un câble Ethernet CAT5 doivent être respectées pour un bon fonctionnement du Communicator, notamment mais sans limitation :

- Ne PAS dénuder la gaine du câble plus que nécessaire pour une bonne terminaison.
- Ne PAS pincer ni nouer le câble. • Ne PAS écraser le câble avec les colliers à câble.
- Ne PAS détorsader les paires CAT5 de plus de 1,2 cm (1/2").
- Ne PAS épisser le câble. • Ne PAS courber le câble à angles droits ni toute autre courbure brusque.

**NOTE : La spécification CAT5 impose que les rayons de courbure du câble soient d'au minimum 5 cm (2"). Ne PAS dépasser la longueur maximale de 15 cm (6") du centre de la ferrite au connecteur réseau T-Link. La longueur maximale de câble CAT 5 est de 100 m (328 pi).**

### Insertion et dépose de la carte SIM

1. Si le Communicator est déjà installé dans une armoire de panneau de contrôle, déposez le capot avant du panneau de contrôle pour accéder au support de carte SIM.
2. Coupez l'alimentation du panneau et débranchez les raccordements de batterie de secours.
3. Sur le porte-carte SIM, appuyez doucement pour faire glisser le capot vers l'antenne du circuit imprimé, comme indiqué par la flèche sur le porte-carte SIM, pour l'ouvrir. Ceci déverrouille le porte-carte SIM du côté le plus proche du bord de la carte de circuit imprimé du Communicator.
4. Soulevez le porte-carte SIM du côté opposé à la charnière.
5. Insérez ou retirez la carte SIM, en notant l'orientation des encoches sur la carte SIM et sur le porte-carte SIM.
6. Pour insérer une carte SIM, prenez garde à l'orientation correcte et poussez doucement le porte-carte SIM pour le faire glisser comme indiqué par la flèche sur le porte-carte SIM, jusqu'au verrouillage. Voir Figure 3 et Figure 5.

Rebranchez la batterie de secours, rétablissez l'alimentation du panneau et reposez le capot du panneau.

### Activation du compte DLS IV (avant l'installation)

L'installateur peut aussi facultativement effectuer toute la programmation du module avant son installation sur site (si la carte SIM a été activée). Procédez comme suit pour programmer le Communicator en local à l'aide du logiciel DLS IV.

**NOTE : Lors de la réception de la carte SIM de l'opérateur de réseau GSM local, notez le numéro de téléphone GSM de la carte SIM. Ce numéro sera nécessaire pour la programmation à distance, c'est aussi celui qui sera utilisé pour les fonctions SMS interactives. Du fait de la nature de la procédure d'activation de la carte SIM auprès des opérateurs de réseau GSM, l'activation de la carte SIM peut prendre jusqu'à 24 heures.**

1. Connectez le Communicator à votre ordinateur à l'aide du câble PC-Link approprié pour le type de Communicator :
  - a. GS2060 et TL260GS : Kits PCLINK-9 ou PCLINK-SCW.
  - b. GS2065 et TL265GS : Kit PCLINK-5WP.
2. Démarrez le Communicator.
  - a. GS2060 et TL260GS : Effectuez l'alimentation depuis les sorties Bell + et Aux – du panneau. (PC1616/1832/1864).
  - b. GS2065 et TL265GS : Effectuez l'alimentation depuis le transformateur fourni avec le kit PCLINK-5WP.
3. Lancez le logiciel DLS IV sur votre ordinateur.

**NOTE : Si nécessaire, téléchargez le logiciel DLS IV chez DSC à l'adresse : <http://www.dsc.com/index.php?n=library#self>**

4. Procédez comme suit pour programmer le Communicator à l'aide de DLS IV :
  - a. Sélectionnez le **type de panneau de contrôle** et configurez un nouveau compte pour cette installation.
  - b. Ajoutez le type Communicator à ce compte.
  - c. Ajoutez le type de communication du Communicator (SMS, Ethernet/Internet et PC-Link) et entrez toutes les informations correspondantes.
  - d. Ouvrez le nouveau compte et trouvez la section **GS/IP**.
  - e. Sur l'onglet **Options de Communicator**, entrez les informations correspondantes.
  - f. Sur l'onglet **Options de récepteur**, entrez les informations correspondantes.

- g. Sur l'onglet **Options de réseau GPRS**, entrez les informations correspondantes.
  - h. Vérifiez que toutes les informations sont entrées correctement avant l'envoi. Sélectionnez **Téléchargement global**.
  - i. Dans **Téléchargement global**, sélectionnez **PC-LINK**, puis cliquez sur **OK**.
  - j. Quittez le logiciel DLS IV, puis coupez l'alimentation et débranchez le Communicator.
5. Arrêtez le Communicator et insérez la carte SIM dans son logement. (Voir **Insertion et dépose de la carte SIM en page 16**).  
**NOTE : Vous pouvez aussi utiliser DLS IV pour reconfigurer à distance le Communicator après l'installation initiale. Pour plus de détails, voir Programmation par DLS IV : en page 21 ou consultez le manuel DLS IV.**

## INSTALLATION DU COMMUNICATOR GSM/ETHERNET DANS L'ARMOIRE

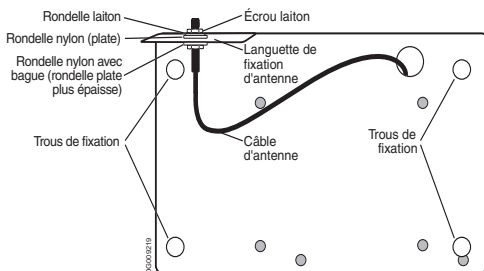
**Avant de quitter le site d'installation, l'équipement doit être connecté par un appareil NID (Network Interface Device) HOMOLOGUÉ (acceptable pour les autorités locales). Tous les câblages doivent être effectués en respectant les codes électriques locaux.**

### Installation du Communicator GS2060/TL260GS avec le panneau PC1616/1832/1864

**NOTE : Avant d'installer le GS2060/TL260GS ou d'insérer/déposer la carte SIM, vérifiez que l'alimentation est coupée.**

1. Pour assembler le support de montage, procédez comme suit (voir **Figure 1**).
  - a. Sortez les 4 entretoises en plastique blanc du sachet fourni avec le kit Communicator.
  - b. Insérez les 4 entretoises par l'arrière du support de montage fourni, dans les trous à chaque coin. (La languette de montage de l'antenne doit être du côté opposé à vous).
  - c. Posez le support sur une surface plane et robuste. Maintenez le Communicator face vers le haut et orientez les quatre trous du Communicator par rapport aux quatre entretoises qui dépassent du support. Appuyez fermement et régulièrement le Communicator sur les entretoises pour le fixer sur la patte.
  - d. Déposez le capot avant du panneau d'alarme.
  - e. Déposez et mettez au rebut la découpe circulaire défonçable en haut à droite du panneau. (Ce trou sera utilisé pour la connexion de l'antenne radio fournie).
  - f. Branchez le câble d'antenne de 12,7 cm (5") fourni à la radio, en faisant passer le connecteur par le trou à l'arrière du support de montage jusqu'à la carte du Communicator. Poussez fermement le connecteur d'antenne dans la prise de la radio GSM (voir **Figure 3**).
  - g. Placez la rondelle en nylon avec bague (rondelle plate épaisse) sur la partie filetée du câble d'antenne. Insérez la partie filetée par le trou défonçable de support d'antenne. Placez la deuxième rondelle en nylon (plate), puis la rondelle et l'écrou en laiton, sur la partie filetée du câble, à l'extérieur du panneau. Serrez l'ensemble à la main seulement. Ne serrez pas excessivement l'ensemble.

**Figure 1 Support de montage de Communicator**



**Figure 2 Panneau de contrôle PC1616/1832/1864**

2. Pour installer le module Communicator dans le panneau. (Voir **Figure 3**).
  - a. Reliez une extrémité du câble PC-LINK à la fiche PC-LINK du panneau (le fil rouge va sur la broche 1 de la fiche PC-LINK du panneau).

**NOTE : Notez que sur le panneau le fil noir est à droite, c'est l'inverse sur le Communicator. Voir Figure 3.**

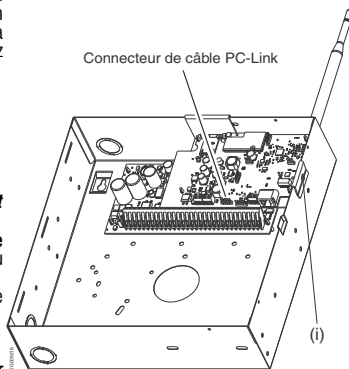
b. Insérez le Communicator assemblé dans l'armoire du panneau.

**NOTE : Assurez-vous que le point de branchement fileté de l'antenne est visible par le trou défonçable du panneau.**

- c. Positionnez le trou de vis dans la paroi droite du panneau. Voir **Figure 2 (i)**. Alignez le Communicator assemblé avec la paroi latérale du panneau et à l'aide de la vis fournie, fixez la patte de montage sur le panneau.
  - d. Reliez l'antenne fouet blanche quadribande fournie au point de branchement fileté de l'antenne en haut du panneau.
3. Câblez le Communicator sur le panneau, et effectuez les opérations suivantes (voir **Figure 3**) :

**AVERTISSEMENT : TOUTS LES BRANCHEMENTS VERS LE MODULE GS2060/TL260GS SONT LIMITÉS EN PUISSANCE. NE PAS FAIRE PASSER DE CÂBLAGE PAR-DESSUS LES CIRCUITS IMPRIMÉS. LAISSER AU MOINS UNE SÉPARATION DE 25,4 MM (1") ENTRE LE CIRCUIT IMPRIMÉ ET LE CÂBLAGE. UNE SÉPARATION D'AU MINIMUM 7 MM (¼") DOIT ÊTRE MAINTENUE EN TOUTS POINTS ENTRE LES CÂBLAGES DE PUISSANCE LIMITÉE ET DE PUISSANCE NON LIMITÉE.**

- a. Débranchez les raccordements d'alimentation secteur et de batterie du panneau.
  - b. Reliez un fil de la borne gauche **PWR** du Communicator à la borne **BELL +** du panneau.
  - c. Reliez un fil de la borne **GND** du Communicator à la borne **AUX -** du panneau.
  - d. Reliez un fil de la borne **SHLD** du Communicator à la borne **EGND** du panneau. (Terre de protection).
  - e. En cas d'utilisation d'une sonnerie/sirène, reliez un fil de la borne **PWR** droite du Communicator à la borne positive (+) de la sonnerie/sirène. (Voir **Figure 3**).
  - f. En cas d'utilisation d'une sonnerie/sirène, reliez la borne **BELL -** du panneau à la borne négative (-) de la sonnerie/sirène.  
**NOTE : En l'absence de sonnerie/sirène, installez la résistance de 1 KΩ ½ W 5 % (marron, noir, rouge, or) (fournie avec le panneau) entre les bornes Bell + et Bell - du panneau, puis ne reliez que la borne BELL + à la borne PWR du Communicator.**
  - g. Vérifiez que la carte SIM est insérée et verrouillée. (Voir Insertion et dépose de la carte SIM en page 16).
  - h. Insérez le connecteur PC-LINK dans la prise PC-LINK du Communicator. (Fil noir sur la broche 1 du Communicator).
  - i. Faites passer le câble Ethernet CAT 5 par l'arrière de l'armoire et branchez-le sur la prise RJ45 du Communicator.
4. Effectuez les opérations suivantes pour la mise en route initiale du panneau après installation du Communicator :
- a. Rebranchez l'alimentation secteur et la batterie au panneau. (Le Communicator et le panneau démarrent ensemble).
  - b. Vérifiez que les témoins LED rouge et jaune du Communicator clignotent ensemble pendant l'initialisation. Les témoins LED rouge et jaune doivent continuer à clignoter jusqu'à ce que l'appareil ait communiqué correctement avec tous les récepteurs programmés.



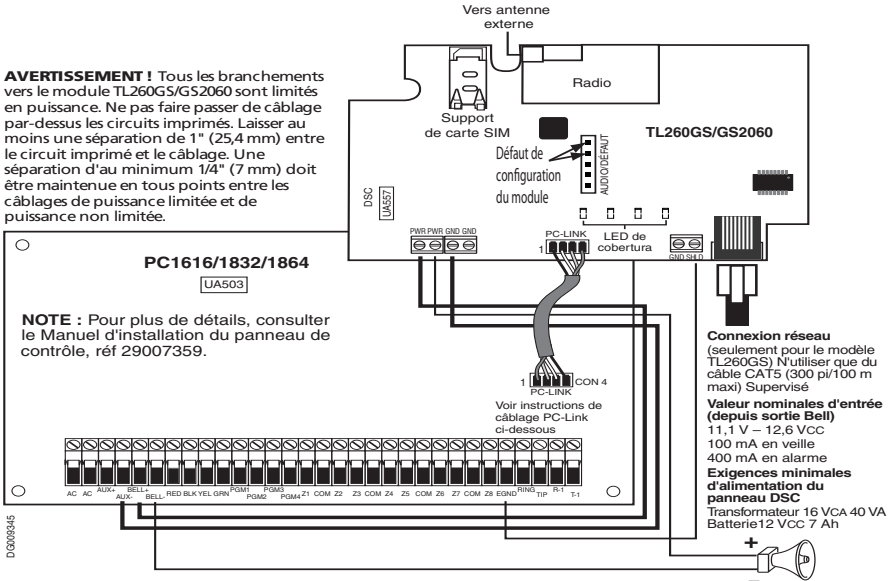
- c. Sur le clavier, entrez [\*][8][Code installateur] [382] et vérifiez que Toggle Option [5] est bien **ON** (module GPRS/Ethernet activé).

**NOTE : L'initialisation peut prendre plusieurs minutes. Les témoins LED rouge et jaune doivent clignoter ensemble pendant l'initialisation. Ne quittez pas l'installation tant que les témoins LED rouge et jaune n'ont pas cessé de clignoter. (Si seul le témoin LED jaune clignote, c'est qu'il y a un problème sur le Communicator et les témoins LED verts ne sont pas valides pour le test d'emplacement du Communicator). Corrigez le problème avant de poursuivre. (Voir Tableau 7 pour une aide au dépannage).**

5. Effectuez le Test d'emplacement de Communicator en page 20.

### Programmation du PC1616/1832/1864

Figure 3 Schéma de câblage GS2060/TL260GS



Procédez comme suit pour vous assurer que le Communicator et le panneau fonctionnent ensemble comme prévu.

Ces sections doivent être programmées par le clavier du panneau. Entrez [\*][8][Code installateur][Numéro de section]. Notez les valeurs modifiées par rapport à leurs valeurs par défaut, dans les Fiches appropriées pour le panneau ou le Communicator.

**NOTE : La bascule est activée quand le numéro est affiché. La bascule est désactivée quand le numéro n'est pas affiché. (par exemple, [1--5--], les options de bascule 1 et 5 sont ON, toutes les autres sont OFF). Appuyez sur le nombre au clavier pour basculer ON/OFF.**

- Dans la Section [167], programmez **060** (secondes).
- Dans les Sections [301], [302] et [303], programmez le numéro de téléphone de la station centrale à utiliser pour le Communicator GPRS/Ethernet. Les entrées valables sont :
  - Un numéro de téléphone valable ; les signaux seront transmis à la station centrale par le réseau RTC (réseau téléphonique commuté).
  - DCAA** (Récepteur 0) ; les signaux seront routés vers les récepteurs GPRS/Ethernet 1 - 4 selon la programmation de la Section [006].
  - La Section [301] définit le réseau de communication principal, et peut être configurée comme routage RTC ou Communicator. La Section de panneau [302] est redondante, et la Section [303] est le numéro de téléphone de secours pour la Section [301].

**NOTE : Le chiffre de tête « D » du numéro de téléphone (détection de tonalité de numérotation) est préprogrammé.**

- Dans la Section [350], programmez le format de communication sous forme Contact ID (03) ou SIA FSK (04).
 

**NOTE : Si un des numéros de téléphone du panneau doit être en DCAA, cette section doit être à [04].**
- Dans les Sections [351] - [376], programmez les options de sens d'appel du Communicator. Consultez le Manuel d'installation du panneau pour le détail des options.
- Dans la Section [382], assurez-vous que Toggle Option [5], « module GPRS/Ethernet activé » est **ON**. Si cette option est OFF, le témoin LED jaune d'état indique « Problème de supervision de panneau » (2 éclairs) et il est impossible de programmer l'appareil par le câble PC-Link.
- Dans la Section [401] passez Toggle Option [1] « Downloading Answer Enable » à **ON** pour pouvoir effectuer la session de panneau DLS par GPRS ou Ethernet.

**NOTE : Avant de quitter les lieux, l'installateur doit vérifier tous les réseaux de communication programmés. Consultez la section Fiches de programmation [901] pour envoyer une transmission de test immédiate.**

### Défauts de Communicator affichés sur un panneau PC1616/1832/1864

Le défaut système général est le seul défaut qui peut apparaître sur le clavier LCD lorsqu'un Communicator le subit sur le panneau PC1616/1832/1864. Pour plus d'informations sur le défaut sur le module Communicator, consultez le tampon d'événements du panneau. L'entrée de journal affichée Défaut ou Retour pour chaque événement.

- Défaut/Retour du réseau T-Link :** Cette entrée de journal survient dans les conditions de défaut suivantes : Défaut verrouillage de carte SIM, Défaut GSM, Défaut Ethernet ou Défaut de configuration Connect 24.
- Défaut/Retour de récepteur T-Link :** Cette entrée de journal survient dans les conditions de défaut suivantes : Défaut récepteur non disponible, Défaut de supervision de récepteur ou Défaut FTC.

- **Défaut/Retour de communication T-Link** : Cette entrée de journal survient quand le panneau perd ses communications avec le Communicator.

## Installation du GS2065/TL265GS avec le panneau PC9155.

**NOTE** : Le Communicator GS2065 s'utilise dans le panneau : 9155G et le Communicator TL265GS s'utilise dans le panneau : PC9155D.

1. Déposez le capot avant du panneau et coupez l'alimentation secteur et batterie (déposez le connecteur + (rouge) de la batterie).
2. Tenez le module Communicator connecteur RJ45 en bas à gauche. Basculez légèrement le module vers le bas à droite et alignez le trou avec la languette en bas à droite et les inserts du côté droit du panneau. Appuyez doucement le Communicator dans les inserts droits, puis appuyez vers le bas à gauche pour le verrouiller en position. (Voir Figure 4).
3. Branchez le connecteur PC-LINK. Fil rouge sur la broche 5 du panneau et du communicateur. (Voir Figure 5).
4. Branchez la fiche du câble Ethernet sur le connecteur RJ45 du Communicator. En cas d'utilisation d'un câble blindé CAT5, il est possible de placer un cavalier entre les raccordements GND et SHLD du bornier à 2 bornes du Communicator (à gauche de la prise RJ45) pour réduire le bruit.

**NOTE** : Ne reliez pas ce cavalier si l'écran du câble Ethernet est mis à la terre par l'équipement de l'autre côté. Ne faites pas passer de câblage système près de l'antenne du circuit imprimé.

5. Rebranchez l'alimentation secteur et le connecteur + de la batterie au panneau. (Le Communicator et le panneau démarreront ensemble).
  - a. Vérifiez que les témoins LED rouge et jaune du Communicator clignotent ensemble pendant l'initialisation. Les témoins LED rouge et jaune doivent continuer à clignoter jusqu'à ce que l'appareil ait communiqué correctement avec tous les récepteurs programmés.

**NOTE** : L'initialisation peut prendre plusieurs minutes. Les témoins LED rouge et jaune doivent clignoter ensemble pendant l'initialisation. Ne quittez pas l'installation tant que les témoins LED rouge et jaune n'ont pas cessé de clignoter. (Si seul le témoin LED jaune clignote, c'est qu'il y a un problème sur le Communicator et les témoins LED verts ne sont pas valides pour le test d'emplacement du Communicator). Voir Tableau 7 pour de l'aide au dépannage des défauts du Communicator.

6. Effectuez le Test d'emplacement de Communicator en page 20.
7. L'établissement d'une voie de communication entre le Communicator et le panneau est critique pour assurer le fonctionnement voulu des deux appareils. Les opérations suivantes doivent être achevées lors de l'installation sur site. Programmez ce qui suit sur le panneau pour vous assurer que le Communicator et le panneau fonctionnent comme attendu. Les sections de panneau doivent être programmées par le clavier du panneau. Entrez [\*][8][Code installateur][Numéro de section] pour la programmation du panneau. Notez les valeurs modifiées par rapport à leurs valeurs par défaut, dans les Fiches de programmation appropriées pour le panneau et du Communicator.

**NOTE** : Pour la programmation des Toggle Options, la bascule est ON quand le numéro est affiché et OFF s'il n'est pas affiché. (par exemple, [1---5---], les options de bascule 1 et 5 sont ON, toutes les autres sont OFF).

8. Section de panneau [167] GPRS/Ethernet Interface Communications Wait for ACK : Programmez la valeur : 060 (secondes).
9. Quand le communicateur est installé avec le panneau PC9155, 4 numéros de téléphone sont disponibles comme secours sous l'un de l'autre. Vous pouvez configurer ces 4 numéros de téléphone de deux façons : Numérotation de secours ou Numérotation alternée.
  - a. Numérotation de secours : chacun des 4 numéros de téléphone fera l'objet de 5 tentatives de numérotation tour à tour, avant de générer sur le clavier un défaut FTC (Failure to Communicate = Echec de communication).
  - b. Numérotation alternée : chaque numéro de téléphone fera l'objet d'une tentative de numérotation avant de passer au numéro suivant, pour parcourir les 4 numéros au total 5 fois chacun. Si tous les numéros échouent après 5 tentatives, un défaut FTC apparaît sur le clavier.
10. Les sections de panneau [301], [302], [303] et [305] peuvent être configurées comme réseaux de communication principaux.
  - a. Les sections de panneau [302], [303] et [305] peuvent aussi être configurées pour les communications de secours ou redondantes à l'aide des sections de panneau [383] ou [351] - [376]. Consultez le manuel d'installation du panneau PC9155 pour plus d'informations.
  - b. Si un numéro de téléphone valable est programmé, les communications utilisent le réseau RTC (réseau téléphonique commuté). La saisie d'une valeur hexadécimale sur 4 chiffres pour un numéro de téléphone modifie le routage d'appel selon le numéro programmé :

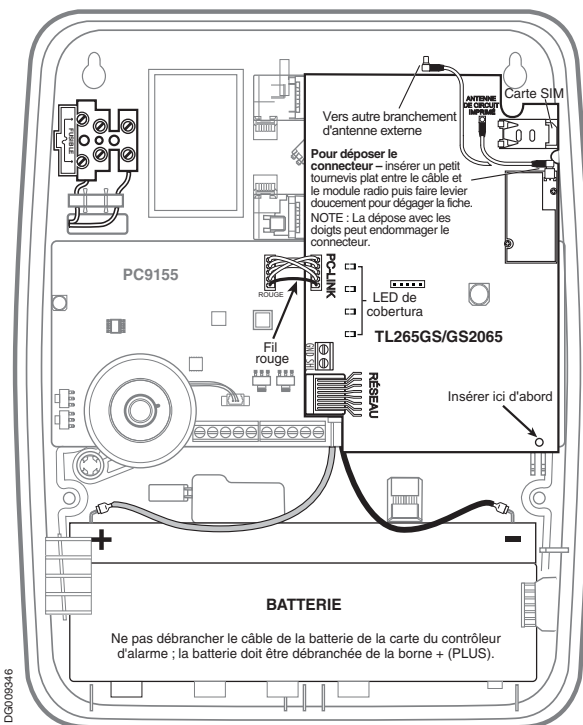
**DCAAF** : Interne (tous les récepteurs). Les signaux seront transmis selon la programmation du module GS/JP.

**DCBBF** : Récepteur Ethernet 1 (principal). (TL260GS/TL265GS seulement).

**DCCCF** : Récepteur Ethernet 2 (secours). (TL260GS/TL265GS seulement).

**DCDDF** : Récepteur GPRS 1 (principal).

Figure 4 Panneau de contrôle PC 9155



DCEEF : Récepteur GPRS 2 (secours).

**NOTE : Ajoutez un seul « F » comme suffixe au numéro pour remplir le reste du champ de 32 caractères.**

- Section de panneau [350] : Si un des numéros de téléphone a été programmé comme DCAA, DCBB, DCCC, DCDD ou DCEE, la Section de panneau [350] doit être réglée à [04] pour le format SIA ou [03] pour le format Contact ID.
  - Section de panneau [382] : Toggle Option [5], « Module GS/IP activé », doit être réglée sur **Activé**. Si cette option est OFF, le témoin LED jaune d'état indique « Problème de supervision de panneau » (2 éclairés) et il est impossible de programmer l'appareil par le câble PC-LINK.
  - Section de panneau [401] : Toggle Option [1] doit être **Activé** pour effectuer la session de panneau DLS par GPRS ou Ethernet.
- NOTE : Notez le numéro de téléphone de la carte SIM, il est indispensable pour les utilisateurs des fonctions SMS interactives.**  
**Du fait de la nature de la procédure d'activation de la carte SIM auprès des opérateurs de réseau GSM, l'activation de la carte SIM peut prendre jusqu'à 24 heures.**

### Fonction d'économie d'énergie (GS2065/TL265 seulement)

Les modèles GS2065 et TL265GS disposent d'une fonction de mode économie d'énergie. En cas de perte d'alimentation secteur sur le panneau de contrôle PC9155, le système entre en mode économie d'énergie pour prolonger l'autonomie sur batterie. En mode économie d'énergie, la fonctionnalité Ethernet est sur désactivé et passera à ON quand un événement devra être transmis, la session DLS est demandée par SMS, ou pour une mise à jour de logiciel interne si nécessaire.

- En mode économie d'énergie, les connexions DLS entrantes ne sont plus possibles.
- Les sessions DLS sortantes initiées par SMS sont possibles tant que l'appareil est en mode économie d'énergie.
- Le témoin LED d'activité de liaison sur l'appareil d'interface réseau est aussi éteint quand l'appareil est en mode économie d'énergie.

### Défauts de Communicator affichés sur un panneau PC9155

Les défauts suivants apparaissent sur l'écran LCD du clavier quand ils surviennent sur un Communicator sur le panneau PC9155. Consultez le manuel d'installation PC9155 pour plus d'informations.

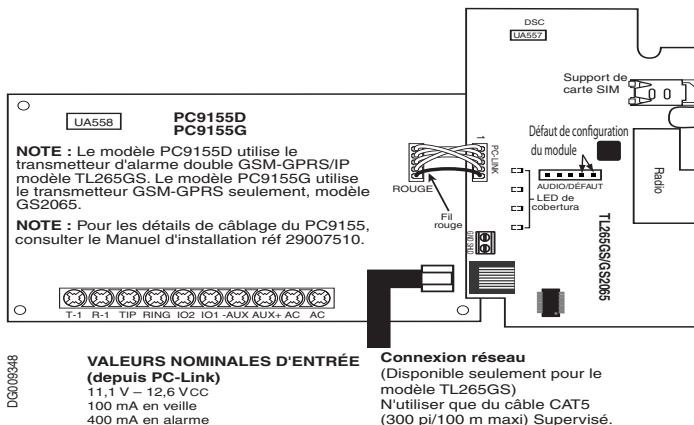
Tableau 3 : Défauts de Communicator sur un panneau PC9155

CONDITION DE DÉFAUT	DESCRIPTION	ACTION DE L'UTILISATEUR
Autre défaut de Communicator	Défaut GSM, Défaut Ethernet, Défaut du récepteur de station centrale, supervision config SMS trouble (Défaut de configuration SMS de supervision) pour le cas échéant. Appuyez sur < > pour parcourir ces défauts.	Appelez le support. Pour un défaut Ethernet vérifiez les connexions au réseau local.

### TEST D'EMPLACEMENT DE COMMUNICATOR

- Pour confirmer que l'emplacement du panneau et de l'antenne conviennent pour l'utilisation de la radio, effectuez ce test d'emplacement du Communicator :  
**NOTE : Vous devez peut-être déplacer le panneau ou installer une extension d'antenne en option si la force du signal radio n'est pas suffisante.**
  - Vérifiez que le témoin LED jaune sur le Communicator ne clignote pas. Un témoin LED jaune clignotant signale un problème sur le Communicator. (Voir Tableau 7 pour dépanner et corriger la cause du problème avant de passer à l'étape suivante).
  - Vérifiez que la force du signal radio sur le témoin LED jaune et les deux témoins LED verts de la carte du Communicator correspondent au moins aux exigences de niveau minimal de signal. Niveau minimal de signal : Témoin LED jaune **éteint** et témoin LED 1 vert **allumé** (le plus éloigné du témoin LED jaune) **allumé** (c'est-à-dire non clignotant) pour que l'emplacement du panneau soit acceptable. Voir tableau Force du signal radio en page 23 pour l'interprétation de la force du signal du récepteur GSM sur les témoins LED.**NOTE : Si la force de signal nécessaire est trop faible avec le panneau à son emplacement actuel, une antenne externe est indispensable.**
  - Si nécessaire, les kits d'extension d'antenne suivants sont disponibles pour l'installateur :
    - GS15-ANTQ – Kit d'extension d'antenne intérieure 4,57 m (15') (ne convient que pour fixation à l'intérieur).
    - GS25-ANTQ – Kit d'extension d'antenne externe 7,62 m (25') (ne convient que pour fixation à l'extérieur).
    - GS50-ANTQ – Kit d'extension d'antenne externe 15,24 m (50') (ne convient que pour fixation à l'extérieur).
Vous trouverez des instructions spécifiques d'installation de l'extension d'antenne avec ce kit. Respectez toutes les instructions de sécurité électrique pour l'installation de l'antenne. Tout le câblage de l'équipement doit être pleinement conforme aux règles et réglementations locales.
- Installez l'extension d'antenne et procédez comme suit pour déterminer le meilleur emplacement pour le positionnement de l'antenne :  
**NOTE : Suivez la procédure correspondant au panneau de contrôle utilisé. Si vous n'installez pas d'antenne externe, passez à l'étape 4.**

Figure 5 Schéma de câblage GS2065/TL265GS



**VALEURS NOMINALES D'ENTRÉE (depuis PC-Link)**  
 11,1 V – 12,6 VCC  
 100 mA en veille  
 400 mA en alarme

**Connexion réseau**  
 (Disponible seulement pour le modèle TL265GS)  
 N'utiliser que du câble CAT5 (300 pi/100 m max) Supervisé.



## Armoire PC1616/1832/1864

- Débranchez l'antenne fouet blanche de l'armoire.
- Fixez une extrémité du câble d'extension d'antenne au connecteur fileté d'antenne du panneau et l'autre extrémité à l'antenne externe.

## Armoire PC9155

- Coupez l'alimentation du panneau et déposez le capot avant.
- Déposez et mettez au rebut la découpe circulaire à défoncer en haut du panneau.
- Insérez un petit tournevis plat entre le câble d'antenne et la radio. (Voir **Figure 4**). Faites levier doucement pour dégager la fiche de la radio et déposez l'autre extrémité du câble d'antenne du circuit imprimé.

**NOTE : La dépose du câble d'antenne avec les doigts seulement peut endommager le connecteur.**

- En consultant les instructions fournies avec le kit d'antenne, installez le kit d'extension d'antenne en option sur le Communicator.
  - Reliez une extrémité du câble d'extension d'antenne à la radio sur le Communicator.
  - Reposez le capot avant sur le panneau.
  - Rétablissez l'alimentation du panneau et attendez son initialisation.
- Déplacez l'extension d'antenne à différents emplacements en observant les deux témoins LED verts sur le panneau. Poursuivez le repositionnement de l'extension d'antenne jusqu'à recevoir une force de signal acceptable (au minimum un témoin LED vert allumé fixe).

**NOTE : La force minimale du signal est : ■ témoin LED 1 vert clignotant et ▲ témoin LED jaune éteint. Si le témoin LED 1 vert est clignotant, il faut envisager un repositionnement.**

- Montez le support d'extension d'antenne à l'emplacement qui a donné la meilleure force de signal.
- Vous pouvez aussi repositionner le panneau de contrôle pour améliorer la force du signal. Démontez le panneau et déplacez-le ailleurs pour obtenir la force de signal voulue. Si le panneau est déplacé pour améliorer la force du signal, fixez-le au nouvel emplacement.

**NOTE : Avant de quitter les lieux, l'installateur doit vérifier tous les réseaux de communication programmés. Consultez la section Fiches de programmation [901] pour les réglages Toggle Option pour envoyer une transmission de test immédiate au récepteur.**

## PROGRAMMATION À DISTANCE

### Programmation par DLS IV :

**NOTE : Avant la programmation, vous devez disposer de l'adresse IP publique de votre réseau et du port d'écoute public des connexions DLS IV entrantes. Vous devez envoyer un message SMS à l'appareil, vous devez donc connaître le numéro de téléphone attribué à la carte SIM.**

- Lancez le logiciel DLS IV sur votre ordinateur.
- NOTE : Si nécessaire, téléchargez le logiciel DLS IV sur le site DSC : <http://www.dsc.com/index.php?n=library#self>**
- Crérez un compte pour le panneau/Communicator, sélectionnez le type de Communicator (par exemple, SMS – GS2065) et entrez toutes les informations pertinentes dans la section SMS, y compris le numéro de téléphone GSM du Communicator.
- Toutes les options de Communicator et de panneau disponibles peuvent être configurées par le compte DLS IV. Consultez les Fiches de programmation référence : 29007619R001 pour des informations de programmation détaillées. Consultez aussi votre manuel DLS IV et le fichier d'aide.
- Quand vous avez terminé de programmer le compte, cliquez sur **Téléchargement global** et choisissez **SMS** comme **Type de connexion**. Cliquez sur **OK**.
- DLS IV génère le texte nécessaire pour le message SMS. Ce message contient l'adresse IP publique et le numéro de port du serveur DLS pour permettre la liaison du Communicator avec votre ordinateur. Tapez le message SMS dans votre téléphone mobile et envoyez-le au numéro de téléphone GSM du Communicator. Puis cliquez sur **OK**.
- Le message SMS déclenche l'établissement par l'appareil d'une connexion avec votre logiciel DLS IV. La nouvelle programmation du Communicator sera téléchargée à distance vers l'appareil par GPRS ou Ethernet/Internet. Le chemin effectif de téléchargement sera déterminé par les paramètres de communication du Communicator dans la section [005], Toggle Option [4].

**NOTE : Vous pouvez désactiver DLS sur GPRS. Consultez la section Fiches de programmation Section [006] Toggle Option [7]. Si vous désactivez DLS sur GPRS, la programmation à distance ne sera pas possible sur les Communicator GS2065/GS2065, quel que soit le réseau défini dans les Options de programmation Section [005] Toggle Option [4].**

### Programmation par Ethernet/Internet :

**(TL260GS et TL265GS seulement)**

**NOTE : Un ordinateur avec accès Internet et le logiciel DLS IV est nécessaire pour la programmation.**

- Lancez le logiciel DLS IV sur votre ordinateur.
- Avec le logiciel de téléchargement DLS IV, vous pouvez maintenant modifier la programmation du Communicator par l'interface utilisateur à l'écran. Consultez le document Fiches de programmation, inclus avec le Communicator, pour des informations de programmation détaillées. Consultez aussi votre manuel DLS IV et le fichier d'aide.
- Dans **Paramètres du compte**, sélectionnez votre module et entrez les informations voulues dans la section **Ethernet/Internet**.
- Après modification de la programmation du Communicator, cliquez sur **Téléchargement global** et choisissez **Ethernet/Internet** pour « Type de connexion ». Cliquez sur **OK**. La connexion initiale entre l'appareil et DLS IV s'effectue par Ethernet/Internet.
- La nouvelle programmation du Communicator sera téléchargée à distance vers l'appareil par GPRS ou Ethernet/Internet. Le chemin effectif de téléchargement sera déterminé par les paramètres du Communicator dans la section [005], Toggle Option [4].

## TÉMOINS LED D'ÉTAT DU COMMUNICATOR

Le Communicator comporte quatre témoins LED sur la carte. Ce sont un témoin LED jaune de défaut, un témoin LED rouge d'état de connexion réseau et deux témoins LED verts de force du signal.

### ▲ Témoin LED jaune de défaut

Ce témoin LED jaune clignote pour signaler un défaut sur l'appareil. Le nombre d'éclairs indique le type de défaut. Consultez le tableau

ci-dessous pour les codes d'éclairs et les états qui activent le témoin LED d'état de défaut.

Tableau 4 : Témoin LED d'état de défaut

NOMBRE D'ÉCLAIRS	DÉFAUT	NOMBRE D'ÉCLAIRS	DÉFAUT
2	Défaut de supervision de panneau	8	Défaut de supervision de récepteur
4	Lockout Trouble (Défaut de blocage)	9	Défaut FTC

Tableau 4 : Témoin LED d'état de défaut

NOMBRE D'ÉCLAIRS	DÉFAUT	NOMBRE D'ÉCLAIRS	DÉFAUT
5	Défaut GSM	11	Programmation à distance
6	Défaut Ethernet	12	Défaut de configuration du module
7	Défaut récepteur non disponible		

**NOTE : Seul le problème de priorité la plus élevée (1 éclair est la priorité la plus élevée) est indiqué. Au retour de ce défaut, le défaut de priorité suivante est signalé le cas échéant. Ceci se poursuit jusqu'à l'effacement de tous les défauts (témoin LED jaune éteint).**

Les paragraphes ci-dessous décrivent les états correspondant au défaut indiqué

#### Défaut de supervision du panneau (2 éclairs)

Ce défaut apparaît en cas d'échec de communication entre le module Communicator et le panneau de contrôle. Si pour une raison quelconque le module ne peut pas communiquer avec le panneau – c'est-à-dire perte d'alimentation du panneau – le module lui-même envoie un message « Défaut panneau absent » au récepteur de la station centrale. Au retour des communications, un message « Retour de panneau absent » est envoyé par le module au récepteur de la station centrale. Ses codes de signalisation sont ET0001 pour Défaut, ER0001 pour Retour. L'événement de panneau absent utilise toujours le code de compte de récepteur principal lorsqu'il est communiqué à la station centrale.

**NOTE : L'événement de défaut/retour de supervision de panneau est généré en interne par le Communicator. C'est le seul événement interne ; tous les autres événements sont générés par le panneau de contrôle. Généré quand l'appareil manque 3 collectes (PC9155) ou 6 collectes (PC1864). Le retour du défaut s'effectue à réception de la première collecte du panneau.**

#### Défaut de verrouillage (4 éclairs)

Ce défaut est indiqué pour une des conditions suivantes : Défaut verrouillage de SIM ou Défaut verrouillage de l'opérateur réseau.

- SIM Lock Trouble (Défaut verrouillage de SIM). Ce défaut signifie que la fonction de verrouillage de carte SIM a été activée et que l'appareil n'a pas été programmé avec le code PIN correct pour la carte SIM. Le défaut Défaut blocage de carte SIM équivaut au défaut Verrouillage de carte SIM ou Verrouillage de réseau
- Défaut de verrouillage de réseau. Ce défaut apparaît quand la fonction de verrouillage de réseau est activée et que la carte SIM insérée dans l'appareil n'a pas accès au réseau sur lequel l'appareil est bloqué.

#### Défaut GSM (5 éclairs)

Ce défaut est indiqué pour une des conditions suivantes :

- Panne radio** : Le défaut apparaît après 8 échecs de tentative de communication avec la radio.
- Échec SIM** : Le défaut apparaît après 10 échecs de commandes +CPIN.
- Défaut de réseau GSM** : Le défaut apparaît en cas de perte d'enregistrement auprès de l'opérateur réseau. (3 échecs consécutifs d'initialisation ou d'actualisation, défaut de connexion à APN, défaut d'ouverture d'un socket, nombre total d'erreurs en commande cyclique = 20 ou réception d'un MSDI (1/2), (7/8/14)). Le défaut s'efface après réussite des commandes d'initialisation et cyclique et réussite des commandes MIPCALL et MIPOPEN.
- Force du signal insuffisante** : Le défaut apparaît quand la force moyenne calculée du signal est trop faible. (Les deux témoins LED verts sont éteints). Le défaut est effacé quand la force moyenne calculée du signal est supérieure aux exigences minimales.

#### Défaut Ethernet (6 éclairs)

Ce défaut apparaît quand la liaison Ethernet entre l'émetteur et le concentrateur ou routeur local est absente. Ce défaut apparaît aussi quand l'appareil n'obtient pas les paramètres DHCP du serveur DHCP. (Non actif si les récepteurs Ethernet ne sont pas programmés).

#### Récepteur non disponible (7 éclairs)

Ce défaut est indiqué si l'appareil ne peut pas s'initialiser correctement avec un des récepteurs programmés. Les récepteurs non programmés sont exclus. Ce défaut apparaît aussi si les APN du récepteur GPRS n'ont pas été programmés.

#### Défaut de supervision de récepteur (8 éclairs)

Ce défaut apparaît quand la supervision du récepteur est activée et qu'un échec apparaît dans la communication entre le module Communicator et le récepteur. Le défaut apparaît si Ethernet 1 est supervisé et ne reçoit pas de signal de battement de cœur du récepteur ou GPRS est supervisé et que l'appareil ne reçoit pas d'accusé de réception à 4 battements de cœur envoyés au récepteur.

#### Défaut FTC (9 éclairs)

Ce défaut apparaît quand l'appareil ne peut pas communiquer des événements de module à la station centrale. Le défaut apparaît quand l'appareil a épuisé toutes les tentatives de communication vers tous les récepteurs programmés pour les événements générés par le Communicator.

#### Programmation à distance (11 éclairs)

Ce défaut apparaît pendant une mise à jour à distance du logiciel interne ou pendant la programmation à distance par DLS. Signale qu'une mise à jour à distance du logiciel interne est en cours par GPRS/Ethernet. Le défaut s'efface automatiquement quand la session de programmation de mise à jour DLS se termine avec succès.

#### Défaut de configuration du module (12 éclairs)

Ce défaut apparaît quand le code de compte système ou le compte de récepteur n'ont pas été programmés. Les récepteurs désactivés sont exclus.

#### Témoin LED rouge d'état de connexion réseau

CLIGNOTANT : Signale des communications en cours.

- Un éclair rapide pour transmission Ethernet sortante.
- Deux éclairs rapides pour signaler un échange Ethernet ACK/NACK.
- Lent pour appel vocal entrant ou sortant.

**Éteint** : C'est l'état normal du témoin LED rouge d'état de connexion réseau. Pas de problème de connexion réseau en cours.

**Allumé** : Problème de connexion réseau Ethernet ou avec le réseau GPRS. Le témoin LED est allumé dans un des cas suivants :

- Le câble Ethernet n'est pas connecté.
- Expiration de la temporisation DHCP.
- L'appareil n'arrive pas à obtenir une adresse IP sur le réseau GPRS.
- La connexion GPRS a été réinitialisée.

■ (Témoin LED vert 1) ■ (Témoin LED vert 2) △ (Témoin LED jaune) Signal Strength (Force du signal)

**NOTE : Si le témoin LED jaune clignote, la force du signal indiquée dans le tableau ci-dessous n'est pas valide. Voir Tableau 7 .pour le dépannage.**

Tableau 5 : Force du signal radio

FORCE DU SIGNAL	NIVEAU CSQ	TÉMOIN LED JAUNE	TÉMOIN LED VERT 2	TÉMOIN LED VERT 1	NIVEAU DU SIGNAL	ACTION NÉCESSAIRE
Aucun signal	0	Allumé	Éteint	Éteint	-108.8 dBm	Vérifiez les branchements d'antenne. Vérifiez que le service GSM est actif. Déplacez le panneau ou installez une antenne externe.
1 Barre	1-4	Allumé	Éteint	Clignotant	-108 dBm---103 dBm	Déplacez le panneau ou installez une antenne externe.
2 Barres	5-6	Éteint	Éteint	Clignotant	-102 dBm~-99 dB	Si possible, déplacez le panneau ou installez une antenne externe.
3 Barres	7-10	Éteint	Éteint	Allumé	-98 dBm---91 dBm	L'emplacement du panneau est acceptable pour le niveau de signal GSM.
4 Barres	11-13	Éteint	Clignotant	Allumé	-90 dBm---85 dBm	L'emplacement du panneau est acceptable pour le niveau de signal GSM.
5 Barres	14+	Éteint	Allumé	Allumé	-82 dB et plus	L'emplacement du panneau est acceptable pour le niveau de signal GSM.

**NOTE : Le Communicator signale un défaut GSM Trouble (témoin LED jaune = 5 éclairs) si le niveau CSQ moyen est égal ou inférieur à 5.**

### Témoins LED d'activité réseau (rouge et vert)

- **Activité Ethernet :** Le témoin LED rouge clignote rapidement une fois pour une émission Ethernet, ou deux fois pour une réception Ethernet.
- **Activité GPRS :** Le témoin LED vert 2 clignote rapidement une fois pour une émission GPRS, ou deux fois pour une réception GPRS.
- **Activité SMS :** Le témoin LED vert 2 clignote rapidement une fois pour une émission de SMS, ou deux fois pour une réception de SMS

## RÉINITIALISATION DU COMMUNICATOR/MISE À JOUR/UTILISATION DU RÉSEAU DE DONNÉES

### Retour aux valeurs d'usine par défaut

Vous pouvez réinitialiser les options de programmation du Communicator aux valeurs d'usine en installant le cavalier matériel. Procédez comme suit pour réinitialiser le Communicator :

**NOTE : Les deux broches permettent de réinitialiser les valeurs matérielles à l'aide d'un cavalier.**

1. Déposez le capot du panneau avant.
2. Trouvez le connecteur à cinq broches AUDIO/DEFAULT au milieu de la carte du Communicator. Sur les panneaux PC1616/1832/1864 les broches 4 et 5 sont en haut. (Voir **Figure 3**). Sur le panneau PC9155, les broches 4 et 5 sont à droite. (Voir **Figure 5**).
3. Posez un cavalier pour court-circuiter les broches 4 et 5 de valeurs par défaut matérielles.
4. Coupez toute l'alimentation du panneau avant de le réalimenter. Attendez que les deux témoins LED verts sur le Communicator commencent à clignoter rapidement. (Les témoins LED verts continuent à clignoter tant que le cavalier matériel est branché).
5. Déposez le cavalier des broches 4 et 5 de valeurs par défaut matérielles. (Les témoins LED verts s'arrêtent de clignoter).

**NOTE : Votre Communicator a maintenant été réinitialisé aux valeurs par défaut d'usine.**

### Mise à jour du logiciel interne

Le logiciel interne de l'appareil peut être mis à jour par GPRS ou par Ethernet. (Mise à jour à distance ou locale).

- Au début de la mise à jour du logiciel interne, tous les témoins LED sont allumés.
- Pendant la procédure de mise à jour du logiciel interne, les témoins LED s'allument cycliquement en guirlande.
- Après une mise à jour réussie, l'appareil redémarre automatiquement.
- En cas d'échec de la mise à jour, les 4 témoins LED de l'appareil clignotent allumés ensemble, puis éteints ensemble à intervalles de 1 seconde.
- En cas d'échec de la mise à jour du logiciel interne, redémarrez l'appareil. En cas d'échec répété de mise à jour, prenez contact avec votre revendeur.

### Utilisation du réseau de données

Tableau 6 : Utilisation du réseau de données

TYPE DE PAQUET	SENS	OCTETS	TYPE DE PAQUET	SENS	OCTETS
Initialisation	Communicator au récepteur	101 octets	Contact ID ACK	Récepteur au Communicator	49 octets
Init ACK	Récepteur au Communicator	74 octets	Heartbeat 1	Communicator au récepteur	101 octets
SIA -Single Event	Communicator au récepteur	124 octets	Heartbeat 1 ACK	Récepteur au Communicator	74 octets
SIA -6 Events	Communicator au récepteur	149 octets	Heartbeat 2	Communicator au récepteur	60 octets
SIA ACK	Récepteur au Communicator	77 octets	Heartbeat 2 ACK	Récepteur au Communicator	60 octets
Contact ID Event	Communicator au récepteur	70 octets	Activation de chiffrement et supervision	Les deux sens	149 octets

**NOTE : Quand le chiffrement et la supervision sont activés, tous les paquets font 149 octets.**

## ANNEXE A : DÉPANNAGE DU COMMUNICATOR

Tableau 7 : Indications de témoins LED de défaut

INDICATION DE DÉFAUT	DÉFAUT/CAUSES POSSIBLES	SOLUTION POSSIBLE AU DÉFAUT
4 témoins LED éteints	Pas d'alimentation	<ul style="list-style-type: none"> <li>• Vérifiez vos branchements d'alimentation sur le panneau de contrôle et le module Communicator. Vérifiez que le câble PC-LINK est branché correctement.</li> </ul>
	mode économie d'énergie (GS2065/TL265GS seulement)	<ul style="list-style-type: none"> <li>• Le panneau de contrôle peut être en mode économie d'énergie (en mode économie d'énergie, les témoins LED verts continuent de signaler les communications entrantes et sortantes). Le témoin LED jaune d'état continue aussi à fonctionner en mode économie d'énergie.</li> <li>• Vérifiez l'alimentation secteur du panneau de contrôle.</li> </ul>
	Mode d'effacement de clavier (GS2065/TL265GS seulement)	<ul style="list-style-type: none"> <li>• Le panneau de contrôle peut être en mode d'effacement de clavier. Appuyez sur une touche sur le clavier pour éliminer temporairement l'effacement.</li> </ul>
Témoin LED jaune – Allumé fixe	Force du signal insuffisante	<ul style="list-style-type: none"> <li>• Vérifiez que l'antenne est bien connectée à la radio. Vérifiez la connexion du câble à la radio.</li> <li>• En cas d'utilisation d'une antenne fouet, vérifiez que l'antenne est bien vissée sur le connecteur de câble d'antenne et relié en interne à la radio.</li> <li>• Vérifiez que le service réseau GSM est actif dans votre zone.</li> </ul>
Témoin de défaut – 2 éclairs	Défaut de supervision de panneau	<ul style="list-style-type: none"> <li>• Vérifiez que l'option de panneau [382] Toggle Option [5] est ON. (GPRS/Ethernet Module Enabled)</li> <li>• Assurez-vous que le câble PC-Link entre le panneau de contrôle et le Communicator est branché correctement (et non pas inversé) et bien maintenu en position.</li> </ul>
Témoin LED jaune – 4 éclairs	Défaut de blocage	<ul style="list-style-type: none"> <li>• La carte SIM a un code PIN programmé incorrect ou un code PIN que le module ne reconnaît pas. Essayez une autre carte SIM.</li> <li>• Le module a été verrouillé sur un réseau d'opérateur spécifique et vous tentez d'utiliser l'appareil sur un réseau non pris en charge. Utilisez l'appareil sur le réseau avec lequel il est destiné à être utilisé.</li> </ul>
Témoin LED jaune – 5 éclairs	Défaut GSM	<ul style="list-style-type: none"> <li>• Vérifiez que le service GSM est disponible et actif dans votre zone.</li> <li>• Vérifiez les branchements d'antenne.</li> <li>• Vérifiez que la force du signal est suffisante. (Voir Tableau 5).</li> <li>• Vérifiez que la carte SIM est bien insérée dans le support de carte SIM.</li> <li>• Vérifiez que la carte SIM a été activée.</li> <li>• Si le défaut persiste, vous devez déplacer le Communicator, ou installez un kit d'extension d'antenne externe.</li> </ul>
Témoin LED jaune – 6 éclairs	Défaut Ethernet	<ul style="list-style-type: none"> <li>• Vérifiez auprès de votre FAI que le service réseau est actif dans votre zone.</li> <li>• Assurez-vous que le câble Ethernet est bien inséré dans la prise RJ45 du Communicator et dans le concentrateur/routeur/commutateur.</li> <li>• Vérifiez que le témoin de liaison sur le concentrateur est allumé. Si le témoin de liaison est éteint, essayez de redémarrer le concentrateur. Si le problème persiste, remplacez le câble Ethernet.</li> <li>• En cas d'utilisation de DHCP, vérifiez que l'appareil a une adresse IP attribué par le serveur. Dans la section de panneau [851] [992], vérifiez qu'une adresse IP valable est programmée. Sinon, contactez l'administrateur réseau.</li> </ul>
Témoin LED jaune – 7 éclairs	Récepteur non disponible	<ul style="list-style-type: none"> <li>• Vérifiez que le réseau Ethernet dispose d'une connexion à l'Internet.</li> <li>• Vérifiez que la carte SIM n'a pas un APN personnalisé. Le groupe n'autorise pas la connexion à l'Internet avec des APN personnalisés.</li> <li>• Si vous utilisez une adresse IP statique, vérifiez que l'adresse de passerelle et le masque de sous-réseau sont entrés correctement.</li> <li>• Si le réseau dispose d'un pare-feu, vérifiez qu'il a programmé l'ouverture des ports de sortie (par défaut Ports UDP 3060 et 3065)</li> <li>• Assurez-vous que tous les récepteurs sont programmés pour utiliser DHCP ou qu'ils ont l'adresse IP et le numéro de port corrects.</li> <li>• Assurez-vous que les APN récepteurs GPRS ont été programmés avec le nom de point d'accès fourni par votre opérateur GSM.</li> </ul>
Témoin LED jaune – 8 éclairs	Défaut de supervision de récepteur	<ul style="list-style-type: none"> <li>• Ce défaut apparaît quand la supervision est activée et que l'appareil ne peut pas communiquer correctement avec le récepteur.</li> <li>• Si le défaut persiste, contactez votre station centrale.</li> </ul>
Témoin LED jaune – 9 éclairs	Défaut FTC	<ul style="list-style-type: none"> <li>• L'appareil a épuisé toutes les tentatives de communications vers tous les récepteurs programmés pour les événements générés par le Communicator.</li> <li>• Redémarrez le système, si le défaut persiste, contactez votre revendeur.</li> </ul>
Témoin LED jaune – 11 éclairs	Programmation à distance	<ul style="list-style-type: none"> <li>• Les témoins LED clignotent pendant une mise à jour à distance du logiciel interne par Ethernet ou GPRS. Les témoins LED s'éteignent quand la mise à jour est terminée.</li> <li>• Les témoins LED clignotent pour signaler qu'une session de programmation à distance DLS est active sur Ethernet ou GPRS. Les témoins LED s'éteignent quand la session DLS s'est terminée avec succès.</li> </ul>
Témoin LED jaune – 12 éclairs	Défaut de configuration du module	<ul style="list-style-type: none"> <li>• Cette indication apparaît quand les Section [021] System Account Code ou Section [101]; [111]; [201]; et [211] Receiver Account Code (Code de compte de récepteur) n'ont pas été programmés. Assurez-vous qu'un code de compte valable a été entré dans ces sections.</li> </ul>
Tous les témoins LED clignotant ensemble	Echec du chargeur de démarrage	<ul style="list-style-type: none"> <li>• Débranchez puis rebranchez l'alimentation du module Communicator.</li> </ul>
Témoins LED rouge et jaune clignotant en même temps	Séquence d'initialisation	<ul style="list-style-type: none"> <li>• L'appareil est encore en phase d'initialisation, attendez qu'il établisse une connexion avec tous les récepteurs programmés. Notez que cette procédure peut prendre plusieurs minutes.</li> </ul>
Témoins LED verts clignotant rapidement	Cavalier de valeurs par défaut matérielles	<ul style="list-style-type: none"> <li>• Le cavalier de valeurs par défaut matérielles doit être déposé. Voir Figure 3 et Figure 5.</li> </ul>

**IMPORTANT - À LIRE ATTENTIVEMENT : Le logiciel DSC acheté avec ou sans Produits et Composants est protégé par le droit d'auteur et il est acheté conformément aux modalités du contrat de licence :**

- Ce Contrat de licence d'utilisation (« CLU ») est une entente légale entre Vous (l'entreprise, l'individu ou l'entité qui a acheté le Logiciel et tout Matériel connexe) et Digital Security Controls, une filiale de Tyco Safety Products Canada Ltd. (« DSC »), le fabricant des systèmes de sécurité intégrés et le développeur du logiciel et de tout produit ou composant connexe (MATÉRIELS) que Vous avez acquis.
- Si le produit logiciel DSC (« PRODUIT LOGICIEL » ou « LOGICIEL ») a été conçu pour être accompagné par du MATÉRIEL et s'il N'est PAS accompagné par un nouveau MATÉRIEL, Vous n'avez pas le droit d'utiliser, de copier ou d'installer le PRODUIT LOGICIEL. Le PRODUIT LOGICIEL comprend le logiciel, et peut aussi comprendre des médias connexes, des matériels imprimés et de la documentation « en ligne » ou électronique.
- Tout logiciel fourni avec le PRODUIT LOGICIEL qui est lié à un contrat de licence d'utilisation séparé Vous donne des droits conformément aux modalités de ce contrat de licence.
- En installant, copiant, téléchargeant, sauvegardant, accédant ou utilisant d'une manière quelconque le PRODUIT LOGICIEL, Vous acceptez inconditionnellement d'être lié par les modalités de ce CLU, même si ce CLU est considéré une modification de tout accord ou contrat antérieur. Si vous n'acceptez pas les modalités du CLU, DSC refuse de Vous octroyer une licence d'utilisation du PRODUIT LOGICIEL et Vous n'avez pas le droit de l'utiliser.

**LICENCES DU PRODUIT LOGICIEL**

Le PRODUIT LOGICIEL est protégé par des lois sur le droit d'auteur et des traités internationaux sur le droit d'auteur, ainsi que par d'autres lois et traités de la propriété intellectuelle. Le droit d'utilisation du PRODUIT LOGICIEL est octroyé, pas vendu.

**1. OCTROI DE LA LICENCE. Ce CLU vous donne les droits suivants :**

- (a) Installation et utilisation du logiciel** - Pour chacune des licences acquises, Vous n'avez le droit d'installer qu'un seul exemplaire du PRODUIT LOGICIEL.
- (b) Utilisation de stockage en réseau** - Le PRODUIT LOGICIEL ne peut pas être installé, accédé, affiché, exécuté, partagé ou utilisé simultanément sur des ordinateurs différents, notamment une station de travail, un terminal ou autre dispositif électronique numérique (« Dispositif »). Autrement dit, si Vous avez plusieurs postes de travail, Vous devez acheter une licence pour chaque poste de travail où le LOGICIEL sera utilisé.
- (c) Copie de sauvegarde** - Vous pouvez faire des copies de sauvegarde PRODUIT LOGICIEL, mais vous ne pouvez avoir qu'une seule copie installée par licence à tout moment. Vous pouvez utiliser une copie de sauvegarde. Hormis ce qui est expressément prévu dans ce CLU, Vous n'avez pas le droit de faire des copies du PRODUIT LOGICIEL, les matériels imprimés accompagnant le LOGICIEL compris.

**2. DESCRIPTIONS D'AUTRES DROITS ET LIMITES**

- (a) Limites relatives à la rétro-ingénierie, à la décompilation et au désassemblage** - Vous n'avez pas le droit de désosser, décompiler ou désassembler le PRODUIT LOGICIEL, sauf et seulement dans la mesure dans laquelle une telle activité est explicitement permise par la loi en vigueur, sans égard à ces limites. Vous n'avez pas le droit de faire des changements ou des modifications, quels qu'ils soient, sans la permission écrite d'un dirigeant de DSC. Vous n'avez pas le droit de retirer les notices, les marques ou les étiquettes privatives du Produit Logiciel. Vous devez instituer des mesures raisonnables pour assurer la conformité aux modalités de ce CLU.
- (b) Séparation des Composants** - Le PRODUIT LOGICIEL est fourni sous licence en tant que produit unique. Ses parties composantes ne peuvent pas être séparées pour être utilisées sur plus d'un MATÉRIEL.
- (c) PRODUIT INTÉGRÉ unique** - Si vous avez acquis ce LOGICIEL avec du MATÉRIEL, le PRODUIT LOGICIEL est autorisé à être utilisé avec le MATÉRIEL en tant que produit intégré unique. Dans ce cas, le PRODUIT LOGICIEL ne peut être utilisé qu'avec le MATÉRIEL conformément à ce CLU.
- (d) Location** - Vous n'avez pas le droit de louer, de mettre en bail ou de prêter le PRODUIT LOGICIEL. Vous n'avez pas le droit de le mettre à la disposition d'autres personnes ou de l'afficher sur un serveur ou un site Web.
- (e) Transfert du Produit Logiciel** - Vous pouvez transférer tous vos droits de ce CLU uniquement dans le cadre de la vente ou du transfert permanent du MATÉRIEL, à condition que Vous ne conserviez aucune copie, que Vous transfériez tout le PRODUIT LOGICIEL (tous les composants, les matériels imprimés et autres, toutes les mises à niveau et ce CLU), et à condition que le récipiendaire accepte les conditions de ce CLU. Si le PRODUIT LOGICIEL est une mise à niveau, tout transfert doit également inclure toutes les versions antérieures du PRODUIT LOGICIEL.
- (f) Résiliation** - Vous réservez de tous ses autres droits, DSC se réserve le droit de résilier ce CLU si Vous ne respectez pas les modalités de ce CLU. Dans ce cas, Vous devez détruire toutes les copies du PRODUIT LOGICIEL et toutes ses parties composantes.
- (g) Marques de commerce** - Ce CLU ne Vous donne aucun droit relativement aux marques de commerce ou aux marques de service de DSC ou de ses fournisseurs.

**3. DROIT D'AUTEUR**

Tous les titres et droits de propriété intellectuelle associés au PRODUIT LOGICIEL (notamment mais pas seulement aux images, photographies et textes incorporés dans le PRODUIT LOGICIEL), les documents imprimés joints et tout exemplaire du PRODUIT LOGICIEL sont la propriété de DSC et de ses fournisseurs. Vous n'avez pas le droit de faire des copies des documents imprimés accompagnant le PRODUIT LOGICIEL. Tous les titres et droits de propriété intellectuelle associés au contenu qui peut être accédé par le biais du PRODUIT LOGICIEL sont la propriété du propriétaire respectif du contenu et ils peuvent être protégés par le droit d'auteur ou autres lois et traités sur la propriété intellectuelle. Ce CLU ne Vous octroie pas le droit d'utiliser ces éléments. Tous les droits qui ne sont pas expressément octroyés par cette CLU, sont réservés par DSC et ses fournisseurs.

**4. RESTRICTIONS POUR L'EXPORTATION**

Vous n'exporterez pas ou ne réexporterez pas le PRODUIT LOGICIEL dans tout pays, personne ou entité soumis à des restrictions canadiennes à l'exportation.

**5. CHOIX DES LOIS**

Ce contrat de licence d'utilisation est régi par les lois de la Province de l'Ontario, Canada.

**6. ARBITRAGE**

Tous les conflits survenant relativement à ce contrat seront résolus par un arbitrage définitif et sans appel conformément à la Loi sur l'arbitrage, et les parties acceptent d'être liées par la décision de l'arbitre. Le lieu de l'arbitration sera Toronto, Canada, et le langage de l'arbitration sera l'anglais.

**7. Garantie Restreinte**

**(a) PAS DE GARANTIE**

DSC FOURNIT LE LOGICIEL « EN L'ÉTAT » SANS GARANTIE. DSC NE GARANTIT PAS QUE LE LOGICIEL SATISFERA VOS EXIGENCES OU QUE L'EXPLOITATION DU LOGICIEL SERA ININTERROMPUE OU SANS ERREUR.

**(b) CHANGEMENTS DU CADRE D'EXPLOITATION**

DSC ne sera pas responsable des problèmes provoqués par des changements dans les caractéristiques du MATÉRIEL, ou des problèmes d'interaction du PRODUIT LOGICIEL avec des LOGICIELS NON-DSC ou AUTRES MATÉRIELS.

**(c) LIMITES DE RESPONSABILITÉ ; LA GARANTIE REFLÈTE L'AFFECTATION DU RISQUE**

DANS TOUS LES CAS, SI UN STATUT QUELCONQUE SUPPOSE DES GARANTIES OU CONDITIONS QUI NE SONT PAS POSTULÉES DANS CE CONTRAT DE LICENCE, TOUTE LA RESPONSABILITÉ ASSUMÉE PAR DSC DANS LE CADRE D'UNE DISPOSITION QUELCONQUE DE CE CONTRAT SERA LIMITÉE AU MONTANT LE PLUS ÉLEVÉ QUE VOUS AVEZ PAYÉ POUR LE CONTRAT DE CE PRODUIT LOGICIEL ET CINQ DOLLARS CANADIENS (5 CAN \$). PARCE QUE CERTAINES JURIDICTIONS NE PERMETTENT PAS L'EXCLUSION OU LES RESTRICTIONS DE RESPONSABILITÉ POUR DOMMAGES INDIRECTS, CES RESTRICTIONS PEUVENT NE PAS S'APPLIQUER DANS VOTRE CAS.

**(d) STIPULATION D'EXONÉRATION DE GARANTIES**

CETTE GARANTIE CONTIENT L'ENTIÈRE GARANTIE ET REMPLACE TOUTES LES AUTRES GARANTIES, QUELLES SOIENT EXPLICITES OU IMPLICITES (NOTAMMENT TOUTES LES GARANTIES IMPLICITES DE MARCHANDISE OU APPITUDE POUR UN USAGE PARTICULIER) ET DE TOUTE AUTRE OBLIGATION OU RESPONSABILITÉ DE DSC. DSC NE FAIT AUCUNE AUTRE GARANTIE. DSC N'ASSUME PAS LA RESPONSABILITÉ ET N'AUTORISE AUCUNE AUTRE PERSONNE PRÉTENDANT AGIR EN SON NOM DE MODIFIER OU DE CHANGER CETTE GARANTIE, N'ASSUME POUR CELA AUCUNE AUTRE GARANTIE OU RESPONSABILITÉ CONCERNANT CE PRODUIT LOGICIEL.

**(e) RECOURS EXCLUSIF ET LIMITE DE GARANTIE**

DSC NE SERA EN AUCUN CAS RESPONSABLE DES DOMMAGES PARTICULIERS, ACCIDENTELS OU INDIRECTS BASÉS SUR UNE INOBSERVATION DE LA GARANTIE, UNE RUPTURE DE CONTRAT, UNE NÉGLIGENCE, UNE RESPONSABILITÉ STRICTE OU TOUTE AUTRE THÉORIE JURIDIQUE. DE TELS DOMMAGES INCLUENT NOTAMMENT, MAIS PAS EXCLUSIVEMENT, UNE PERTE DE PROFITS, UN ENDOMMAGEMENT DU PRODUIT LOGICIEL OU TOUT AUTRE ÉQUIPEMENT ASSOCIÉ, LE COÛT DU CAPITAL, LE COÛT DE REMPLACEMENT OU DE SUBSTITUTION, DES INSTALLATIONS OU SERVICES, UN TEMPS D'ARRÊT, LE TEMPS DE L'ACHETEUR, LES REVENDICATIONS DE TIERS, Y COMPRIS LES CLIENTS ET LES DOMMAGES À LA PROPRIÉTÉ.

**MISE EN GARDE :** DSC recommande de tester complètement l'ensemble du système régulièrement. Toutefois, malgré des essais réguliers, il peut arriver que le fonctionnement du PRODUIT LOGICIEL ne soit pas conforme aux attentes en raison notamment, mais pas exclusivement, d'interventions criminelles ou de pannes de courant.

# GARANTIE LIMITÉE

La société Digital Security Controls garantit le produit contre toutes déficiences matérielles et d'assemblage dans des conditions normales d'utilisation, à l'acheteur original, pendant une période de douze mois à partir de la date d'achat. Dans l'application de cette garantie, la société Digital Security Controls s'engage, à son choix, à réparer ou à remplacer tout matériel défectueux dès son retour à un dépôt de réparation, sans frais de main d'oeuvre et matériels. Tout remplacement et/ou réparation sont garantis pendant le reste de la durée de la garantie originale ou quatre vingt dix (90) jours, ou l'une ou l'autre est la plus longue. Le propriétaire original doit avertir la société Digital Security Controls par courrier que le matériel ou l'assemblage sont défectueux ; dans tous les cas, cette notification doit être reçue avant l'expiration de la période de garantie.

## **Garantie Internationale**

La garantie pour les clients internationaux est la même que pour tous les clients au Canada et aux États-Unis, sauf que la société Digital Security Controls ne sera pas responsable des frais de douanes, taxes, ou TVA qui pourraient être dus.

## **Procédure pour la Garantie**

Pour obtenir un service sous garantie, veuillez retourner le produit(s) en question au point d'achat. Tous les distributeurs autorisés et vendeurs ont un programme de garantie. Quiconque retourne des marchandises à la société Digital Security Controls doit tout d'abord obtenir un numéro d'autorisation. La société Digital Security Controls n'acceptera aucun envoi pour lequel une autorisation préalable n'aura pas été obtenue.

## **Conditions d'annulation de la Garantie**

Cette garantie ne s'applique qu'aux vices de matériels et d'assemblage liés à une utilisation normale. Elle ne couvre pas :

- dommage encouru lors de l'expédition ou la manutention ;
- dommage causé par un désastre tel qu'un incendie, inondation, vent, tremblement de terre ou foudre ;
- dommage dû à des causes hors du contrôle de la société Digital Security Controls tel que voltage excessif, choc mécanique ou dommage des eaux ;
- dommage causé par attachement non autorisé, changements, modifications ou objets étrangers ;
- dommage causé par périphériques (à moins que les périphériques ne soient fournis par la société Digital Security Controls) ;
- défauts causés par l'impossibilité de fournir un environnement d'installation adapté aux produits ;
- dommage causé par l'utilisation des produits pour des usages autres que ceux pour lesquels ils ont été conçus
- dommage pour mauvais entretien ;
- dommage provenant de tout autre mauvais traitement, mauvaise manutention ou mauvaise utilisation des produits.

S'il y a un problème de réparation du produit après un nombre raisonnable de tentatives au titre de la présente garantie, les obligations contractuelles de la société Digital Security Controls seront limitées au remplacement du produit, comme seule réparation de l'inobservation de la garantie. En aucun cas la Société Digital Security Controls ne sera responsable des dommages particuliers, accidentels ou indirects basés sur l'inobservation de la garantie, une rupture de contrat, une négligence, une responsabilité stricte ou sur toute autre théorie juridique. De tels dommages incluent, mais ne sont limités à, une perte de profit, une perte de produit ou tout autre équipement associé, au coût de capital, au coût de remplacement de l'équipement, à l'aménagement ou services, à l'indisponibilité, au temps de rachat, aux réclamations des tiers, notamment les clients, aux dommages et intérêts à la propriété, etc .

## **Stipulation d'exonération de garanties**

Cette garantie contient l'entière garantie et remplace toutes les autres garanties, qu'elles soient explicites ou implicites (notamment toutes les garanties implicites de marchandise ou aptitude pour un usage particulier) et de toutes autres obligations ou responsabilités de Digital Security Controls. Digital Security Controls n'assume et n'autorise aucune autre personne prétendant agir en son nom de modifier ou changer cette garantie, n'assume pour cela aucune autre garantie ou responsabilité concernant ce produit.

Cette stipulation d'exonération de garanties et garantie restreinte sont gouvernées par les lois de la province de l'Ontario, Canada.

**ATTENTION:** Digital Security Controls recommande que la totalité du système soit testé régulièrement. Toutefois, même si vous faites des essais périodiques, il peut arriver que le fonctionnement du produit ne soit pas conforme aux spécifications en raison notamment, mais pas exclusivement, d'interventions criminelles ou de panne de courant.

## **Réparations en dehors de la Garantie**

Digital Security Controls réparera à son choix ou remplacera en dehors de la garantie les produits renvoyés à son usine dans les conditions suivantes. Quiconque retourne des produits à Digital Security Controls doit d'abord obtenir un numéro d'autorisation. Digital Security Controls n'acceptera aucun envoi quel qu'il soit, pour lequel une autorisation préalable n'aura pas été obtenue.

Les produits que Digital Security Controls juge être réparables seront réparés et renvoyés. Les frais prédéterminés par Digital Security Controls, et sujets à un rajustement périodique, seront facturés pour chaque unité réparée.

Les produits que Digital Security Controls juge ne pas être réparables seront remplacés par le produit équivalent le plus proche disponible à ce moment. Le prix du marché en cours du produit de remplacement sera facturé pour chaque unité de remplacement.

<b>Español</b>	
<b>Introducción</b> .....	<b>29</b>
Montaje del panel .....	29
Características .....	29
Especificaciones técnicas .....	29
Valores nominales .....	29
Compatibilidad .....	30
Cifrado .....	30
<b>Configuración de preinstalación del comunicador</b> .....	<b>30</b>
Instalación del cable Ethernet (solo TL260GS/TL265GS) .....	30
Inserción y extracción de la tarjeta SIM .....	30
Activación de cuenta DLS IV (antes de la instalación) .....	30
<b>Instalación del comunicador GSM/ETHERNET en armario</b> .....	<b>31</b>
Instalación del comunicador GS2060/TL260GS con panel PC1616/1832/1864 .....	31
Programación del PC1616/1832/1864 .....	32
Problemas del comunicador mostrados en un panel PC1616/1832/1864 .....	32
Instalación de GS2065/TL265GS con el panel PC9155 .....	33
Función de ahorro de energía (solo GS2065/TL265) .....	34
Problemas del comunicador en mostrados en un panel PC9155 .....	34
<b>Prueba de colocación del comunicador</b> .....	<b>34</b>
<b>Programación remota</b> .....	<b>35</b>
Programación a través de DLS IV: .....	35
Programación a través de Ethernet/Internet .....	35
<b>LED de estado del comunicador</b> .....	<b>35</b>
LED de problema amarillo .....	35
LED de estado de conexión de la red .....	36
Cobertura (LED verde 1) (LED verde 2) y (LED amarillo) .....	37
<b>Reinicio de comunicador/Actualización/Uso de los datos de red</b> .....	<b>37</b>
Reinicio de los valores predeterminados de fábrica .....	37
Actualización de firmware .....	37
Uso de los datos de red .....	37
<b>Apéndice A: Solución de problemas del comunicador</b> .....	<b>38</b>

**NOTA:**

Este documento no incluye la programación del módulo GPRS/Ethernet (Sección de panel [851]). Consulte el documento Hojas de cálculo de programación DSC, número de pieza 29007619R001, que se incluye con el comunicador. Las instrucciones de instalación de este documento se aplican solamente a los comunicadores GS2060/GS2065 y TL260GS/TL265GS.

**IMPORTANTE**

El comunicador GPRS/Ethernet está fijo, montado en la pared y debe instalarse en la posición especificada en estas instrucciones. La carcasa del equipo debe estar totalmente montada y cerrada, con todos los tornillos y pestañas necesarios y sujeta en la pared antes de ponerla en funcionamiento. El cableado interno debe estar colocado de forma que se evite:

- Una tensión excesiva en los cables y las conexiones del terminal.
- Interferencias entre cables con potencia limitada y sin limitar.
- Que el terminal o las conexiones se aflojen.
- Daños en el aislamiento de los conductores.

**ADVERTENCIA: no instale nunca este equipo durante una tormenta eléctrica.**

**El instalador debe instruir al usuario del sistema sobre cada uno de los siguientes puntos:**

- Que no trate de reparar el producto. Abrir o extraer las cubiertas puede exponer al usuario a tensiones peligrosas u otros riesgos.
- Cualquier servicio o mantenimiento debe realizarlo únicamente personal de servicio cualificado.
- Sólo se deben usar accesorios autorizados con este equipo.

# ADVERTENCIA - POR FAVOR LEA CUIDADOSAMENTE

## Nota para los Instaladores

Esta advertencia contiene información vital. Para el único individuo en contacto con el sistema del usuario, es su responsabilidad tratar a cada artículo en esta advertencia para la atención a los usuarios de este sistema.

## Averías del Sistema

El sistema ha sido cuidadosamente diseñado para ser tan efectivo como sea posible. Hay circunstancias, sin embargo, incluyendo incendio, robo u otro tipo de emergencias donde no podrá proveer protección. Cualquier sistema de alarma o cualquier tipo puede ser comprometido deliberadamente o puede fallar al operar como se espera por una cantidad de razones. Algunas pero no todas pueden ser:

### Instalación Inadecuada

Un sistema de seguridad debe ser instalado correctamente en orden para proporcionar una adecuada protección. Cada instalación debe ser evaluada por un profesional de seguridad, para asegurar que todos los puntos y las áreas de acceso estén cubiertas. Cerraduras y enganches en ventanas y puertas deben estar seguros y operar como está diseñado. Ventanas, puertas, paredes, cielo rasos y otros materiales del local deben poseer suficiente fuerza y construcción para proporcionar el nivel de protección esperado. Una reevaluación se debe realizar durante y después de cualquier actividad de construcción. Una evaluación por el departamento de policía o bomberos es muy recomendable si este servicio está disponible.

### Conocimiento Criminal

Este sistema contiene características de seguridad las cuales fueron conocidas para ser efectivas en el momento de la fabricación. Es posible que personas con intenciones criminales desarrollen técnicas las cuales reducen la efectividad de estas características. Es muy importante que el sistema de seguridad se revise periódicamente, para asegurar que sus características permanezcan efectivas y que sean actualizadas o reemplazadas si se ha encontrado que no proporcionan la protección esperada.

### Acceso por Intrusos

Los intrusos pueden entrar a través de un punto de acceso no protegido, burlar un dispositivo de sensor, evadir detección moviéndose a través de un área de cubrimiento insuficiente, desconectar un dispositivo de advertencia, o interferir o evitar la operación correcta del sistema.

### Fallo de Energía

Las unidades de control, los detectores de intrusión, detectores de humo y muchos otros dispositivos de seguridad requieren un suministro de energía adecuada para una correcta operación. Si un dispositivo opera por baterías, es posible que las baterías fallen. Aún si las baterías no han fallado, estas deben ser cargadas, en buena condición e instaladas correctamente. Si un dispositivo opera por corriente CA, cualquier interrupción, aún lenta, hará que el dispositivo no funcione mientras no tiene energía. Las interrupciones de energía de cualquier duración son a menudo acompañadas por fluctuaciones en el voltaje lo cual puede dañar equipos electrónicos tales como sistemas de seguridad. Después de que ocurre una interrupción de energía, inmediatamente conduzca una prueba completa del sistema para asegurarse que el sistema esté funcionando como es debido.

### Fallo en Baterías Reemplazables

Los transmisores inalámbricos de este sistema han sido diseñados para proporcionar años de duración de la batería bajo condiciones normales. La esperada vida de duración de la batería, es una función de el ambiente, el uso y el tipo del dispositivo. Las condiciones ambientales tales como la exagerada humedad, altas o bajas temperaturas, o cantidades de oscilaciones de temperaturas pueden reducir la duración de la batería. Mientras que cada dispositivo de transmisión tenga un monitor de batería bajo el cual identifica cuando la batería necesita ser reemplazada, este monitor puede fallar al operar como es debido. Pruebas y mantenimiento regulares mantendrán el sistema en buenas condiciones de funcionamiento.

### Compromiso de los Dispositivos de Frecuencia de Radio (Inalámbricos)

Las señales no podrán alcanzar el receptor bajo todas las circunstancias las cuales incluyen objetos metálicos colocados en o cerca del camino del radio o interferencia deliberada y otra interferencia de señal de radio inadvertida.

### Usuarios del Sistema

Un usuario no podrá operar un interruptor de pánico o emergencias posiblemente debido a una inhabilidad física permanente o temporal, incapaz de alcanzar el dispositivo a tiempo, o no está familiarizado con la correcta operación. Es muy importante que todos los usuarios del sistema sean entrenados en la correcta operación del sistema de alarma y que ellos sepan como responder cuando el sistema indica una alarma.

### Detectores de Humo

Los detectores de humo, que son una parte del sistema, pueden no alertar correctamente a los ocupantes de un incendio por un número de razones, algunas son las siguientes. Los detectores de humo

pueden haber sido instalados o ubicados incorrectamente. El humo no puede ser capaz de alcanzar los detectores de humo, como cuando el fuego es en la chimenea, paredes o techos, o en el otro lado de las puertas cerradas. Los detectores de humo no pueden detectar humo de incendios en otros niveles de la residencia o edificio.

Cada incendio es diferente en la cantidad de humo producida y la velocidad del incendio. Los detectores de humo no pueden detectar igualmente bien todos los tipos de incendio. Los detectores de humo no pueden proporcionar una advertencia rápidamente de incendios causados por descuido o falta de seguridad como el fumar en cama, explosiones violentas, escape de gas, el incorrecto almacenamiento de materiales de combustión, circuitos eléctricos sobrecargados, el juego con fósforos por parte de los niños o un incendio provocado.

Aún si el detector de humo funciona como está diseñado, pueden haber circunstancias donde hay insuficiente tiempo de advertencia para permitir a los ocupantes escapar a tiempo para evitar heridas o muerte.

### Detectores de Movimiento

Los detectores de movimiento solamente pueden detectar movimiento dentro de las áreas designadas como se muestra en las respectivas instrucciones de instalación. Los detectores de movimiento no pueden discriminar entre intrusos y los que habitan el local o residencia. Los detectores de movimiento no proporcionan un área de protección volumétrica. Estos poseen múltiples rayos de detección y el movimiento solamente puede ser detectado en áreas no obstruidas que están cubiertas por estos rayos. Ellos no pueden detectar movimiento que ocurre detrás de las paredes, cielo rasos, pisos, puertas cerradas, separaciones de vidrio, puertas o ventanas de vidrio. Cualquier clase de sabotaje ya sea intencional o sin intención tales como encubrimiento, pintando o regando cualquier tipo de material en los lentes, espejos, ventanas o cualquier otra parte del sistema de detección perjudicará su correcta operación.

Los detectores de movimiento pasivos infrarrojos operan detectando cambios en la temperatura. Sin embargo su efectividad puede ser reducida cuando la temperatura del ambiente aumenta o disminuye de la temperatura del cuerpo o si hay orígenes intencionales o sin intención de calor en o cerca del área de detección. Algunos de los orígenes de calor pueden ser calentadores, radiadores, estufas, asadores, chimeneas, luz solar, ventiladores de vapor, aluminado y así sucesivamente.

### Dispositivos de Advertencia

Los dispositivos de advertencia, tales como sirenas, campanas, bocina, o estroboscópicos no podrán alertar o despertar a alguien durmiendo si hay una puerta o pared intermedio. Si los dispositivos de advertencia están localizados en un nivel diferente de la residencia o premissas, por lo tanto es menos posible que los ocupantes puedan ser advertidos o despertados. Los dispositivos de advertencia audible pueden ser interferidos por otros orígenes de ruidos como equipos de sonido, radios, televisión, acondicionadores de aire u otros electrodomésticos, o el tráfico. Los dispositivos de advertencia audible, inclusive de ruido fuerte, pueden no ser escuchados por personas con problemas del oído.

### Líneas Telefónicas

Si las líneas telefónicas son usadas para transmitir alarmas, ellas puedan estar fuera de servicio u ocupadas por cierto tiempo. También un intruso puede cortar la línea o sabotear su operación por medios más sofisticados lo cual sería de muy difícil la detección.

### Tiempo Insuficiente

Pueden existir circunstancias cuando el sistema funcione como está diseñado, y aún los ocupantes no serán protegidos de emergencias debido a su inhabilidad de responder a las advertencias en cuestión de tiempo. Si el sistema es supervisado, la respuesta puede no ocurrir a tiempo para proteger a los ocupantes o sus pertenencias.

### Fallo de un Componente

A pesar que todos los esfuerzos que se han realizado para hacer que el sistema sea lo más confiable, el sistema puede fallar en su función como se ha diseñado debido a la falla de un componente.

### Prueba Incorrecta

La mayoría de los problemas que evitan que un sistema de alarma falle en operar como es debido puede ser encontrada por medio de pruebas y mantenimiento regular. Todo el sistema debe ser probado semanalmente e inmediatamente después de una intrusión, un intento de intrusión, incendio, tormenta, terremoto, accidente o cualquier clase de actividad de construcción dentro o fuera de la premisa. La prueba debe incluir todos los dispositivos de sensor, teclados, consolas, dispositivos para indicar alarmas y otros dispositivos operacionales que sean parte del sistema.

### Seguridad y Seguro

A pesar de sus capacidades, un sistema de alarma no es un sustituto de un seguro de propiedad o vida. Un sistema de alarma tampoco es un sustituto para los dueños de la propiedad, inquilinos, u otros ocupantes para actuar prudentemente a prevenir o minimizar los efectos dañinos de una situación de emergencia.



## INTRODUCCIÓN

**TGS2060/GS2065:** Comunicadores de alarma inalámbricos GPRS/GSM que envían comunicaciones de alarma a receptores de la estación central Sur-Gard System I, II y III (SG-DRL3IP) a través de una red móvil digital por GPRS/GSM.

**TL260GS/TL265GS:** Comunicadores de alarma GSM/Ethernet de doble vía que envían comunicaciones de alarma a receptores de la estación central Sur-Gard System I y III a través de una red móvil digital por Ethernet/Internet o GPRS/GSM.

El comunicador se puede usar como comunicador principal o de respaldo. Es compatible con la transmisión de Protocolo de Internet (IP) de eventos de panel e internos por Ethernet/Internet o GSM/GPRS. El comunicador puede proporcionar notificaciones de eventos mediante SMS y permite SMS Interactive a través de GPRS y Ethernet a servicios de 3<sup>as</sup> partes usando el protocolo ITV2.

El rendimiento de los comunicadores **GS2060/GS2065/TL260GS/TL265GS** depende en gran medida de la cobertura de la red GSM. No se debe montar en la ubicación final sin primero llevar a cabo la Prueba de colocación del comunicador en la página 34 para determinar la mejor ubicación para la recepción de radio (con un mínimo de un LED verde **ENCENDIDO**). DSC dispone de kits de antena opcionales en: <http://www.DSC.com>.

**NOTA:** Antes de la instalación del comunicador, confirme con su proveedor que hay una red GPRS/GSM disponible y activa en el área en donde se instalará el comunicador y que la señal de radio tiene la suficiente cobertura.

### Montaje del panel

Los siguientes comunicadores son compatibles con los paneles de control PC1616/PC1832/PC1864:

- **GS2060** (solo GPRS/GSM)      • **TL260GS** (doble vía Ethernet/Internet + GPRS/GSM)

Los siguientes modelos de comunicador son compatibles con el panel de control PC9155:

- **GS2065** (solo GPRS/GSM)      • **TL265GS** (doble vía Ethernet/Internet + GPRS/GSM)

**NOTA:** Cuando se instale el **GS2065**, el modelo de panel será **9155G**. Cuando se instale el **TL265GS**, el modelo de panel será **9155D**.

### Características

- Cifrado AES de 128 bits mediante GPRS/GSM y Ethernet/Internet (certificado de validación NIST Nº 995)
- Programación avanzada remota y local mediante DSC DLS IV.
- Comunicación de alarma GPRS/GSM principal o de reserva.
- Ethernet LAN/WAN 10/100 BaseT (solo TL260GS/TL265GS).
- Generación de informes de eventos completos.
- Programación con teclado completo (solamente GS2065 y TL265GS).
- Comunicación de alarma de doble vía Ethernet/Internet y GPRS/GSM totalmente redundante (sólo TL260GS/TL265GS)
- Transmisión de pruebas periódicas por Ethernet individual o GPRS.
- Código del instalador
- Direccionamiento de llamadas integrado.
- Soporte de carga/descarga remota del panel mediante GPRS/GSM y Ethernet/Internet.
- Conexión PC-LINK
- Etiquetas programables (sincronización automática de etiquetas de zona y partición solo con paneles 9155 v1.1+)
- Comandos SMS programables y mensajes de respuesta en 28 idiomas a través de mensajes de texto de teléfono móvil.
- Funcionamiento cuatribanda: 850 MHz, 900 MHz, 1800 MHz y 1900 MHz.
- Formato SIA (solo Contact ID GS2065/TL265GS V1.1).
- Visualización de cobertura y problemas.
- Latidos de supervisión mediante GPRS/GSM y Ethernet/Internet.

### Especificaciones técnicas

La fuente de alimentación debe ser de Clase II, potencia limitada.

### Valores nominales

**Tabla 1: Valores nominales del comunicador**

MODELO	GS2060 SÓLO GPRS/GSM	TL260GS ETHERNET Y GPRS	GS2065 SÓLO GPRS/GSM	TL265GS ETHERNET Y GPRS
<b>VALORES NOMINALES DE LA FUENTE DE ALIMENTACIÓN</b>				
• Tensión de entrada	CC de 11,1 ~ 12,6 V: se reducirá la salida de timbre del panel: 700 mA – (mA comunicador) = salida de timbre reducida.		CC de 11,1 ~ 12,6 V (desde el cabezal del PC-LINK)	
<b>CONSUMO DE CORRIENTE</b>				
• Corriente en reposo	65 mA a 12 V	100 mA a 12 V	65 mA a 12 V	100 mA a 12 V
• Corriente de la alarma (en transmisión)	400 mA a 12 V durante la transmisión			
• Frecuencia de funcionamiento	Cuatribanda de 850 MHz, 900 MHz, 1800 MHz, 1900 MHz			
• Ganancia de antena típica	2 db			
<b>ESPECIFICACIONES AMBIENTALES</b>				
• Temperatura de funcionamiento	-10° C ~ 55° C (14° F ~ 131° F)			
• Humedad	5% ~ 93% de humedad relativa sin condensación			
<b>ESPECIFICACIONES MECÁNICAS</b>				
• Dimensiones del panel (mm)	100 × 150 × 15	100 × 150 × 18	100 × 150 × 15	100 × 150 × 18
• Peso (gramos)	310 (sin el soporte de montaje)	320 (sin el soporte de montaje)	68	78

Tabla 2: Receptores, paneles de control y cajas compatibles

COMUNICADOR	RECEPTOR/PANEL	DESCRIPCIÓN
GS2060/TL260GS GS2065/TL265GS	Receptor	<ul style="list-style-type: none"> <li>• Receptor Sur-Gard System I, versión 1.1+</li> <li>• Receptor Sur-Gard System II, versión 2.0+</li> <li>• Sur-Gard SG-DRL3-IP, versión 2.2+ (para receptores del Sur-Gard System III)</li> </ul>
GS2060/TL260GS	Panel de control y cajas	<ul style="list-style-type: none"> <li>• Power Series PC1864, versión 4.3+</li> <li>• Power Series PC1832, versión 4.3+</li> <li>• Power Series PC1616, versión 4.3+</li> <li>• Cajas: PC5003C/PC4050C</li> </ul>
GS2065/TL265GS	Panel de control	<ul style="list-style-type: none"> <li>• PC9155 versión 1.1+</li> </ul>

### CONFIGURACIÓN DE PREINSTALACIÓN DEL COMUNICADOR

Este comunicador GSM/Ethernet es fijo y solo podrá ser instalado por personal del servicio técnico. (Se entiende por personal del servicio técnico a personas que tengan la adecuada formación técnica y la necesaria experiencia para ser conscientes de los peligros a los que se pueden exponer al llevar a cabo el trabajo y que puedan tomar las medidas necesarias para minimizar los riesgos para su persona y la de otros). El comunicador se instalará y usará en un entorno que proporcione el grado de contaminación máximo 2, categoría de sobretensión II, únicamente en emplazamientos interiores y sin riesgos. Este manual se utilizará con el manual de instalación del panel de control de la alarma que está conectado al comunicador GSM/Ethernet. Deben seguirse todas las instrucciones especificadas en dicho manual.

#### Cifrado

Este comunicador utiliza el cifrado AES de 128 bits. El cifrado sólo puede activarse desde el receptor de la central de supervisión. Cada receptor puede tener el cifrado activado o desactivado de forma independiente. Cuando el cifrado está activado, la estación central configurará el dispositivo para cifrar las comunicaciones la próxima vez que el módulo del comunicador realice una comunicación con el receptor.

**NOTA: Los paquetes sólo empezarán a cifrarse después de que se envíe el próximo evento a ese receptor o se reinicie la unidad.**

#### Instalación del cable Ethernet (solo TL260GS/TL265GS)

Se debe tender un cable Ethernet de Categoría 5 (CAT 5) desde una fuente con conectividad Ethernet/Internet hasta el módulo del comunicador, dentro del armario del panel de control. El extremo del cable del comunicador debe tener una toma RJ45, que conecta con el conector RJ45. Para un correcto funcionamiento del comunicador deberán observarse todos los requisitos de instalación del cable Ethernet CAT5, incluyendo, entre otros, los siguientes:

- NO pelee el revestimiento del cable más de lo necesario para una terminación correcta.
- NO deje que se hagan nudos con el cable.
- NO aplaste el cable con los elementos de fijación.
- NO deshaga los pares trenzados de CAT5 más de 1,2 cm (1/2").
- NO empalme el cable.
- NO doble el cable con ángulos rectos ni ninguna doblez pronunciada.

**NOTA: La especificación CAT5 requiere que cualquier doblez del cable tenga una curvatura con un radio mínimo de 5 cm (2"). NO exceda un máximo de 15 cm (6") desde el centro de ferrita hasta el conector de red T-Link. La longitud máxima del cable CAT 5 es de 100 m (328 pies).**

#### Inserción y extracción de la tarjeta SIM

1. Si el comunicador ya está instalado en el armario del panel de control, quite la cubierta frontal del panel para acceder al soporte de la tarjeta SIM.
2. Apague el panel y desconecte las conexiones de la batería de reserva.
3. En el soporte de la tarjeta SIM presione suavemente la cubierta hacia la antena PCB, en el sentido que indica la flecha del portatarjetas, para ABRIR. Esto desbloqueará el portatarjetas por la parte más cercana al borde del PCB del comunicador.
4. Levante el soporte de la tarjeta SIM desde el lado que no tiene bisagra.
5. Introduzca o quite la tarjeta SIM observando la orientación de las muescas de la tarjeta SIM y el portatarjetas.
6. Cuando introduzca una tarjeta, hágalo con la orientación correcta y presione suavemente el portatarjetas deslizándolo en la dirección que indica la flecha para BLOQUEARLO. Consulte la Figura 3 y la Figura 5.

Vuelva a conectar la batería de reserva, aplique corriente al panel y vuelva a colocar la cubierta.

#### Activación de cuenta DLS IV (antes de la instalación)

Opcionalmente, el instalador puede realizar toda la programación del módulo antes de la instalación in-situ (si se ha activado la tarjeta SIM). Lleve a cabo los siguientes pasos para programar el comunicador localmente mediante el software DLS IV.

**NOTA: Cuando reciba la tarjeta SIM del proveedor de red GSM local, registre el número de teléfono GSM de la tarjeta SIM. Este número será necesario para la programación remota y también es el número que se usará para las funciones de SMS Interactive. Debido a la naturaleza del proceso de activación de la tarjeta SIM con los proveedores de red GSM, la activación de la tarjeta puede tardar hasta 24 horas.**

1. Conecte el comunicador al ordenador usando el cable adecuado PC-Link para el tipo de comunicador.
  - a. GS2060 y TL260GS: kit de PCLINK-9 o kit de PCLINK-SCW.
  - b. GS2065 y TL265GS: kit de PCLINK-5WP.
2. Encienda el comunicador.
  - a. GS2060 y TL260GS: encienda las salidas Bell + y Aux - del panel. (PC1616/1832/1864).
  - b. GS2065 y TL265G: encienda el transformador que se suministra en el kit de PCLINK-5WP.
3. Ejecute el software DLS IV en el ordenador.

**NOTA: Si es necesario, descargue el software DLS IV del sitio de DSC: <http://www.dsc.com/index.php?n=library#self>**

4. Lleve a cabo los siguientes pasos para programar el comunicador usando DLS IV:
  - a. Seleccione el **tipo de panel de control** y configure una nueva cuenta para la instalación.
  - b. Añada el tipo de comunicador a esta cuenta.
  - c. Añada el tipo de conexión (SMS, Ethernet/Internet y PC-Link) del comunicador e introduzca toda la información relevante.
  - d. Abra la nueva cuenta y vaya a la sección **GS/IP**.
  - e. En la ficha **Opciones del comunicador**, introduzca toda la información relevante.
  - f. En la ficha **Opciones del receptor**, introduzca toda la información relevante.
  - g. En la ficha **Opciones de la red GPRS**, introduzca toda la información relevante.
  - h. Confirme que se ha introducido correctamente toda la información antes del envío. Seleccione **Descarga global**.
  - i. En **Tipo de conexión**, seleccione **PC-LINK** y haga clic en **Aceptar**.
  - j. Salga del software DLS IV y después apague y desconecte el comunicador.

5. Apague el comunicador e introduzca la tarjeta SIM en su ranura. (Consulte **Inserción y extracción de la tarjeta SIM en la página 30**).

**NOTA: También puede usar DLS IV para reconfigurar el comunicador remotamente después de la instalación inicial. Para obtener información detallada, consulte la sección Programación a través de DLS IV: en la página 35 de este manual o el manual de DLS IV.**

## INSTALACIÓN DEL COMUNICADOR GSM/ETHERNET EN ARMARIO

**Antes de abandonar las instalaciones, el equipo se conectará mediante un dispositivo de interfaz de red (NID) APROBADO (aceptable para las autoridades locales). Todo el cableado se realizará de acuerdo con los códigos eléctricos locales.**

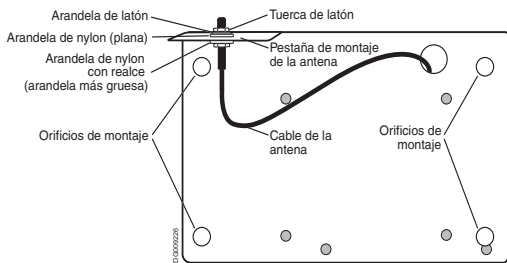
### Instalación del comunicador GS2060/TL260GS con panel PC1616/1832/1864

**NOTA: Antes de instalar el comunicador GS2060/TL260GS o insertar/extraer la tarjeta SIM, asegúrese de que el sistema está apagado.**

1. Para ensamblar el soporte de montaje, proceda del siguiente modo (Consulte la **Figura 1**).

- Quite los 4 separadores de plástico blancos de la bolsa que se proporciona con el kit del comunicador.
- Introduzca los 4 separadores a través de la parte posterior del soporte de montaje que se suministra en los orificios de cada esquina. (La pestaña de montaje de la antena debe estar mirando hacia usted).
- Coloque el soporte sobre una superficie plana y sólida. Mantenga el comunicador boca arriba y oriente los cuatro orificios del mismo con los cuatro separadores que sobresalen del soporte. Empuje el comunicador de forma firme y uniforme en los separadores hasta que esté bien sujeto en el soporte.
- Extraiga la cubierta frontal del panel de alarma.
- Extraiga y deseche el gatillo circular situado en la sección superior derecha del panel. (Este orificio se usará para la conexión de la antena de radio sustrada).

**Figura 1** Soporte de montaje del comunicador



- Conecte el cable de antena suministrado de 12,7 cm (5") a la radio pasando el conector por el orificio de la parte posterior del soporte de montaje en el panel del comunicador. Presione con firmeza el conector de la antena en la toma de la radio GSM. (Consulte la **Figura 3**).
- Coloque la arandela de nylon con realce (arandela gruesa) en la sección roscada del cable de la antena. Inserte la sección roscada a través del orificio de gatillo del montaje de la antena. Coloque la segunda arandela de nylon (plana), seguida por la arandela de latón y la tuerca de latón, en la sección roscada del cable fuera del panel. Apriete el conjunto solo a mano. No lo apriete demasiado.

**Figura 2** Panel de control PC1616/1832/1864

2. Para instalar el módulo del comunicador en el panel. (Consulte **Figura 3**).

- Conecte un extremo del cable PC-LINK al cabezal del PC-LINK del panel (el cable rojo va en el pin 1 del cabezal del PC-LINK del panel.)

**NOTA: Observe que en el panel, el cable negro está a la derecha, mientras que el comunicador está invertido. Consulte la Figura 3.**

- Inserte el comunicador ensamblado en el armario del panel.

**NOTA: Asegúrese de que el punto de conexión de la antena roscado se puede ver a través del orificio del gatillo del panel.**

- Localice el orificio del tornillo en la pared derecha del panel. Consulte la **Figura 2** (i). Alinee el comunicador ensamblado con la pared lateral del panel y, usando el tornillo que se proporciona, fije el soporte de montaje al panel.

- Conecte el latiguillo de antena cuatribanda blanco que se suministra al punto de conexión roscado de la antena en la parte superior del panel.

3. Conecte el cable del comunicador al panel y proceda del siguiente modo (consulte **Figura 3**):

**ADVERTENCIA: TODAS LAS CONEXIONES AL MÓDULO GS2060/TL260GS TIENEN UNA POTENCIA LIMITADA. NO COLOQUE NINGÚN CABLE SOBRE LAS PLACAS DE CIRCUITOS. MANTENGA UNA SEPARACIÓN DE AL MENOS 25 MM (1") ENTRE LA PLACA DEL CIRCUITO Y LOS CABLES. SE DEBE MANTENER UNA SEPARACIÓN MÍNIMA DE 7 MM (¼") EN TODOS LOS PUNTOS ENTRE LOS CABLES SIN LIMITACIÓN DE POTENCIA Y LOS QUE NO LA TIENEN.**

- Desconecte la alimentación de CA y las conexiones de la batería del panel.
  - Conecte un cable del terminal izquierdo **PWR** del comunicador al terminal **BELL +** del panel.
  - Conecte un cable del terminal **GND** del comunicador al terminal **AUX -** del panel.
  - Conecte un cable del terminal **SHLD** del comunicador al terminal **EGND** del panel. (Toma a tierra de protección).
  - Si se usa un timbre o sirena, conecte un cable del terminal derecho **PWR** del comunicador al terminal positivo (+) del timbre o sirena. (Consulte la **Figura 3**).
  - Si se usa un timbre o sirena, conecte el terminal **BELL -** del panel al terminal negativo (-) del timbre o sirena.
- NOTA: Si no se usa un timbre o sirena, instale el resistor 5% de 1 K $\Omega$  ½ W (marrón, negro, rojo, dorado) (que se suministra con el panel) entre los terminales Bell + y Bell -, y, a continuación, conecte solo el terminal BELL + al terminal PWR del comunicador.**

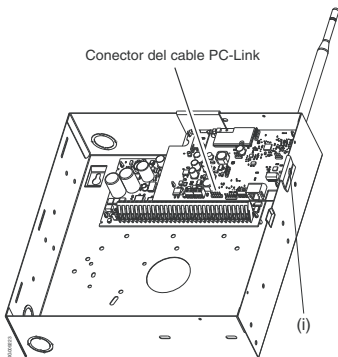
- Confirme que la tarjeta SIM está insertada y bloqueada. (Consulte la **Inserción y extracción de la tarjeta SIM en la página 30**).

- Inserte el conector de PC-LINK en la toma de PC-LINK del comunicador. (El cable negro en el pin 1 del comunicador).

- Coloque el cable de Ethernet CAT 5 por la parte posterior del armario y enchúfelo en el conector RJ45 del comunicador.

4. Proceda del siguiente modo para el encendido inicial del panel con el comunicador instalado:

- Vuelva a conectar la alimentación de CA y la batería al panel. (El comunicador y el panel se encenderán juntos).
- Observe que los LED rojo y amarillo del comunicador parpadean a la vez mientras se inicializa. Los LED rojo y amarillo continuarán parpadeando hasta que la unidad se haya comunicado correctamente con todos los receptores programados.
- Con el teclado, introduzca [\*]8 [Código de instalador]382] y confirme que la opción de cambio [5] está **ACTIVADA** (módulo GPRS/Ethernet activado).

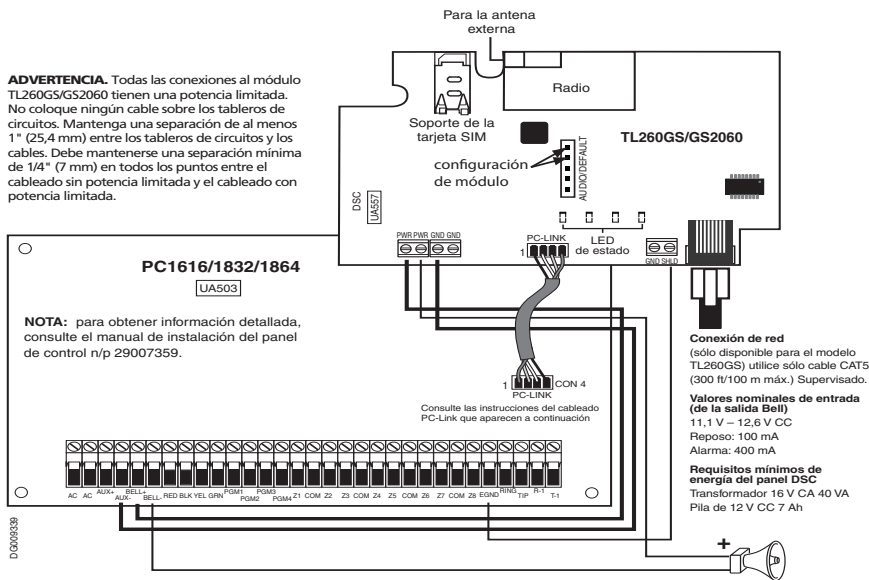


**NOTA: La inicialización puede tardar varios minutos en completarse. Durante la inicialización, los LED rojo y amarillo parpadearán a la vez. No abandone la instalación hasta que los LED rojo y amarillo hayan dejado de parpadear. (Si solo parpadea el LED amarillo, hay un problema con el comunicador y los LED verdes no son válidos para la prueba de instalación del comunicador). Corrija el problema antes de continuar. (Consulte la Tabla 7 para ver ayuda sobre la solución de problemas).**

5. Realice la Prueba de colocación del comunicador en la página 34.

### Programación del PC1616/1832/1864

Figura 3 Diagrama de cableado del GS2060/TL260GS



Realice los siguientes pasos para asegurarse de que el comunicador y el panel funcionan juntos como se pretende.

Estas secciones deben programarse mediante el teclado del panel. Introduzca **[\*][8][Código de instalador][Número de sección]**. Registre cualquier valor que se haya modificado de su valor predeterminado en la correspondiente hoja de cálculo del panel o comunicador.

**NOTA: La opción está ACTIVADA cuando se muestra el número. La opción está DESACTIVADA cuando no se muestra. (Por ejemplo, [1---5---], las opciones de cambio 1 y 5 están ACTIVAS, el resto están DESACTIVADAS). Pulse el número en el teclado para ACTIVAR o DESACTIVAR los cambios.**

1. En la sección [167] programe **060** (segundos).
2. En las secciones [301], [302] y [303] programe el número de teléfono de la estación central que se usará para el comunicador GPRS/Ethernet. Las entradas válidas son:
  - a. Un número de teléfono válido; las señales se enviarán a la estación central usando la red pública de telefonía (PSTN).
  - b. **DCAA** (Receptor 0); las señales se enviarán a los receptores GPRS/Ethernet 1 – 4 dependiendo de la programación en la sección [006].
  - c. La sección [301] establece la vía de comunicación principal y puede configurarse como PSTN o enrutamiento del comunicador. La sección del panel [302] es redundante y la sección [303] es el número de teléfono de respaldo para la sección [301].

**NOTA: El dígito inicial "D" del número de teléfono para la detección del tono de marcación está programado previamente.**

3. En la sección [350], programe el formato de comunicación como Contact ID (03) o SIA FSK (04).  
**NOTA: Si cualquiera de los números de teléfono del panel se ha establecido como DCAA, esta sección debe establecerse en [04].**

4. En las secciones [351] – [376], programe las opciones de dirección de llamada del comunicador. Consulte el manual de instalación del panel para ver las opciones.

5. En la sección [382], asegúrese de que la opción de cambio [5], "Módulo GPRS/Ethernet activado" está **ACTIVADA**. Si esta opción está **DESACTIVADA**, el LED de estado amarillo indicará un problema de supervisión del panel y que la unidad no ha podido programarse mediante el cable PC-LINK.

6. En la sección [401] ajuste la opción de cambio [1] "Respuesta de descarga activada" en **ON** con el fin de realizar la sesión de DLS a través de GPRS o Ethernet.

**NOTA: Antes de abandonar las instalaciones, el instalador deberá verificar todas las vías de comunicaciones programadas. Consulte la sección de programación de hojas de cálculo [901] para enviar la transmisión de prueba inmediata.**

### Problemas del comunicador mostrados en un panel PC1616/1832/1864

El problema general del sistema es el único problema que aparece en la pantalla LCD del teclado cuando un comunicador lo encuentra en el panel PC1616/1832/1864. Para obtener más información acerca del problema en el módulo comunicador, consulte el búfer de eventos del panel. La entrada de registro mostrará Fault (Fallo) o Restore (Restaurar) con cada evento.

- **Error/restauración de la red T-Link:** Este registro aparecerá para las siguientes condiciones de problemas: Problema de bloqueo de SIM, problema de GSM, problema de Ethernet, problema de configuración de Connect 24.
- **Problema/restauración del receptor T-Link:** Este registro aparecerá para las siguientes condiciones de problemas: Problema de receptor no disponible, problema de supervisión del receptor, problema de FTC.

- **Error/restauración de comunicaciones T-Link:** Este registro aparecerá cuando el panel pierda la comunicación con el comunicador.

### Instalación de GS2065/TL265GS con el panel PC9155.

**NOTA:** El comunicador GS2065 se usa en el panel: 9155G y el comunicador TL265GS se usa en el panel: PC9155D.

1. Quite la cubierta frontal del panel y retire la alimentación de CA y de batería (quite el conector + [rojo] de la batería).
2. Coloque el módulo del comunicador con el conector RJ45 en la parte inferior izquierda. Incline el módulo ligeramente hacia la derecha y alinee el orificio con la pestaña derecha inferior y las inserciones del lado derecho del panel. Presione con suavidad el comunicador en las inserciones de la derecha y presione por la parte izquierda para encajarlo. (Consulte la **Figura 4**).
3. Conecte el conector PC-Link. El cable rojo en el pin 5 del panel y el comunicador. (Consulte la **Figura 5**).
4. Conecte la clavija del cable Ethernet en el conector RJ45 del comunicador. Si se usa un cable CAT 5, se puede colocar un puente entre las conexiones **GND** y **SHLD** del bloque de terminales del comunicador 2 (a la izquierda de la clavija RJ45) para reducir el ruido.

**NOTA:** No una este puente si el cable blindado de Ethernet ya tiene toma de tierra a través del equipo en el otro extremo. No coloque ningún cable del sistema cerca de la antena PCB.

5. Vuelva a conectar la alimentación de CA y el conector de la batería + al panel. (El comunicador y el panel se encenderán juntos).

- a. Observe que los LED rojo y amarillo del comunicador parpadean a la vez mientras se inicializa. Los LED rojo y amarillo continuarán parpadeando hasta que la unidad se haya comunicado correctamente con todos los receptores programados.

**NOTA:** La inicialización puede tardar varios minutos en completarse. Durante la inicialización, los LED rojo y amarillo parpadearán a la vez. No abandone la instalación hasta que los LED rojo y amarillo hayan dejado de parpadear. (Si solo parpadea el LED amarillo, hay un problema con el comunicador y los LED verdes no son válidos para la prueba de instalación del comunicador). Consulte la Tabla 7 para obtener ayuda sobre la solución de problemas de comunicador.

6. Realice la Prueba de colocación del comunicador en la página 34.
7. El establecimiento de un canal de comunicaciones entre el comunicador y el panel es básico para garantizar el funcionamiento deseado de las dos unidades. Estos pasos deben llevarse a cabo durante la instalación in situ. Programe lo siguiente en el panel para asegurarse de que el comunicador y el panel funcionarán juntos como se pretende. Las secciones del panel deben programarse mediante el teclado del panel. Introduzca [\*] [8] [Código de instalador] [Número de sección] para la programación del panel. Registre cualquier valor que se haya modificado de su valor predeterminado en la correspondiente hoja de cálculo de programación del panel o comunicador.

**NOTA:** Cuando se programen opciones de cambio, el cambio estará **ACTIVADO** cuando se muestre el número y estará **DESACTIVADO** cuando no se muestre. (Por ejemplo, [1---5---], las opciones de cambio 1 y 5 están **ACTIVAS**, el resto están **DESACTIVADAS**).

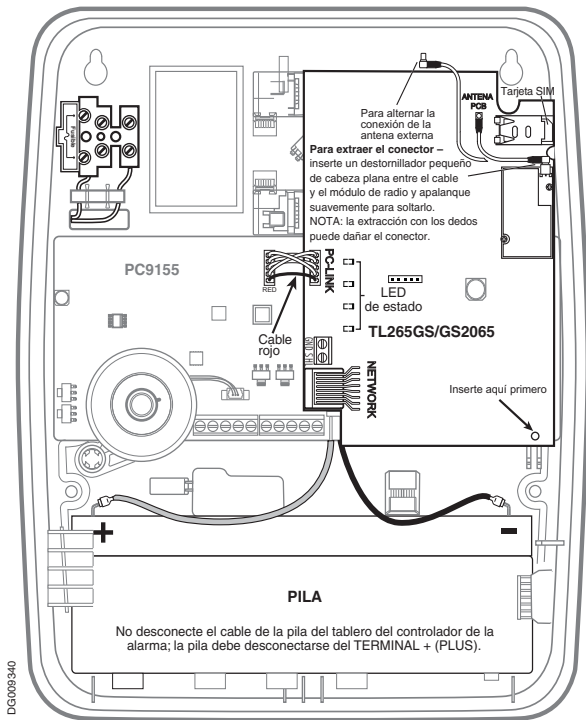
8. Sección de panel [167] Comunicaciones de la interfaz GPRS/Ethernet esperan por confirmación (ACK): Programe el valor como: **060** (segundos).
9. Cuando el comunicador está instalado con el panel PC9155, hay cuatro números de teléfono disponibles para respaldarse mutuamente. Puede configurar estos cuatro números de teléfono para funcionar de una de las dos formas siguientes:
  - a. Maricación de respaldo: cada uno de los cuatro números de teléfono hará cinco intentos antes de que se genere un problema de Fallo al comunicar (FTC) en el teclado.
  - b. Maricación alternativa: cada número de teléfono hace un intento de llamada antes de pasar al siguiente número, pasando por cada uno de los cuatro números hasta un total de cinco veces cada uno. Si todos los números fallan en los 5 intentos, se mostrará un problema FTC en el teclado.
10. Las secciones de panel [301], [302], [303] y [305] pueden configurarse como vías de comunicación principales.
  - a. Las secciones de panel [302], [303] y [305] también se pueden configurar para comunicaciones de respaldo o dobles usando las secciones de panel [383] o [351] – [376]. Consulte el manual de instalación del PC9155 para obtener más información.
  - b. Si se programa un número de teléfono válido, las comunicaciones usarán la red de telefonía pública (PSTN). Introduciendo un valor hexadecimal de cuatro dígitos para un número de teléfono se cambiará la vía de llamada según determine el número programado:

**DCAA:** Interna (todos los receptores). Las señales se enviarán dependiendo de la programación del módulo GS/IP.

**DCBB:** Receptor Ethernet 1 (Principal). (TL260GS/TL265GS solamente).

**DCCC:** Receptor Ethernet 2 (Respaldo). (TL260GS/TL265GS solamente).

Figura 4 Panel de control PC 9155





### Armario PC1616/1832/1864

- Desconecte la antena de latiguillo blanca del armario.
- Una uno de los extremos del cable de ampliación de la antena al conector roscado de la antena situado en el panel y el otro a la antena externa.

### Armario PC9155

- Apague el panel y quite la cubierta frontal.
- Retire y deseche el gatillo circular situado en la parte superior del panel.
- Inserte un pequeño destornillador plano entre el cable de antena y la radio. (Consulte la **Figura 4**). Haga palanca con cuidado para soltar el conector de la radio y quite el otro extremo del cable de antena del PCB.

**NOTA: Sacar el cable de la antena solo con los dedos puede provocar daños en el conector.**

- D siguiendo las instrucciones que se suministran con el kit de la antena, instale el kit de antena de ampliación opcional en el comunicador.
  - Conecte uno de los extremos del cable de ampliación de la antena a la radio del comunicador.
  - Vuelva a colocar la cubierta frontal en el panel.
  - Encienda el panel y espere hasta que se inicialice.
- Mueva la antena de extensión a varias ubicaciones mientras observa los dos LED verdes del panel. Continúe moviendo la antena de extensión hasta que reciba una cobertura aceptable (mínimo un LED verde encendido fijo).

**NOTA: La cobertura mínima es: ■ LED 1 verde parpadeando y ▲ LED amarillo APAGADO. Si el LED 1 verde está parpadeando, será necesario cambiar su ubicación.**

- Monte el soporte de la ampliación de la antena que se suministra en la ubicación que ofrezca la mejor cobertura.
- De forma alternativa puede cambiar de sitio el panel de control para mejorar la señal. Desmonte el panel y muévelo a otra ubicación para lograr la cobertura requerida. Si se cambia de posición el panel para mejorar la señal, móntelo en la nueva ubicación.

**NOTA: Antes de abandonar las instalaciones, el instalador deberá verificar todas las vías de comunicaciones programadas. Consulte la sección de hojas de cálculo de programación [901] para que los ajustes de las opciones de cambio envíen una transmisión de prueba inmediata a los receptores.**

## PROGRAMACIÓN REMOTA

### Programación a través de DLS IV:

**NOTA: Antes de programar, se le pedirá la dirección IP pública de la red y el puerto de escucha público para las conexiones DLS IV de entrada. Deberá enviar un mensaje SMS a la unidad, por lo que será necesario que conozca el número de teléfono asignado a la SIM.**

- Ejecute el software DLS IV en el ordenador.
- NOTA: Si es necesario, descargue el software DLS IV del sitio de DSC: <http://www.dsc.com/index.php?n=library#self>**
- Cree una cuenta para el panel/comunicador, seleccione el tipo de comunicador (por ejemplo, SMS – GS2065) y vuelva a introducir toda la información relevante en la sección SMS, incluyendo el número de teléfono GSM del comunicador.
- Se pueden configurar todas las opciones disponibles del comunicador y el panel en la cuenta DLS IV. Consulte las hojas de programación con número de referencia: 29007619R001 para obtener información detallada sobre programación. Consulte también el manual de DLS IV y el archivo de ayuda.
- Cuando haya terminado de programar la cuenta, haga clic en **Descarga global** y elija SMS como **Tipo de conexión**. Haga clic en **Aceptar**.
- DLS IV generará el texto requerido para el mensaje SMS. Este mensaje tiene la IP pública y el número de puerto del servidor DLS para permitir que el comunicador enlace con el ordenador. Escriba el mensaje SMS en el teléfono móvil y envíelo al número de teléfono GSM del comunicador. Haga clic en **Aceptar**.

- El mensaje SMS activará la unidad para establecer una conexión con el software DLS IV. La nueva programación del comunicador se descargará en la unidad remotamente mediante GPRS o Ethernet/Internet. La vía real para la descarga estará determinada por la configuración de la comunicación de la sección [005], opción de cambio [4] del comunicador.

**NOTA: Puede desactivar el DLS por GPRS. Consulte la sección de hojas de cálculo de programación [006] opción de cambio [7]. Si desactiva el DLS por GPRS, la programación remota no funcionará en los comunicadores GS2065/GS2066, independientemente de la vía establecida en la sección de opciones de programación [005] opción de cambio [4].**

### Programación a través de Ethernet/Internet:

(TL260GS y TL265GS solo)

**NOTA: Para la programación se requiere un ordenador con acceso a Internet y el software DLS IV.**

- Ejecute el software DLS IV en el ordenador.
- Con el software de descarga DLS IV, ahora puede cambiar la programación del comunicador usando la interfaz gráfica de usuario (GUI) de la pantalla. Consulte el documento Hojas de cálculo de programación que se incluye con el comunicador para obtener información de programación. Consulte también el manual de DLS IV y el archivo de ayuda.
- En **Configuración de la cuenta**, seleccione su módulo e introduzca toda la información relevante en la sección **Ethernet/Internet**.
- Después de cambiar la programación del comunicador, haga clic en **Descarga global** y elija **Ethernet/Internet** como "Tipo de conexión". Haga clic en **Aceptar**. La conexión inicial entre la unidad y DSL IV se establecerá mediante Ethernet/Internet.
- La nueva programación del comunicador se descargará en la unidad remotamente mediante GPRS o Ethernet/Internet. La vía real para la descarga estará determinada por la configuración del comunicador de la sección [005], opción de cambio [4] del comunicador.

## LED DE ESTADO DEL COMUNICADOR

El comunicador tiene cuatro indicadores LED. Estos incluyen un LED de problema amarillo, un LED de estado de conexión de rojo y dos LED de cobertura verdes.

### ▲LED de problema amarillo

Este LED amarillo parpadeará para indicar un problema en la unidad. El número de parpadeos indica el tipo de problema. Consulte la tabla siguiente para ver los parpadeos codificados y las condiciones que activarán el LED de estado de problema.

**Tabla 4: LED de estado de problema**

Nº DE PARPADEOS	PROBLEMA	Nº DE PARPADEOS	PROBLEMA
2	Problema de supervisión del panel	8	Problema de supervisión del receptor
4	Problema de bloqueo	9	Problema de FTC



Tabla 4: LED de estado de problema

Nº DE PARPADEOS	PROBLEMA	Nº DE PARPADEOS	PROBLEMA
5	Problema de GSM	11	Programación remota
6	Problema de Ethernet	12	Problema de configuración de módulo
7	Problema de receptor no disponible		

**NOTA:** Solo se indica el problema con la prioridad más alta (1 parpadeo es la prioridad más alta). Cuando se restaura este problema, se indicará el siguiente problema más importante, si lo hay. Esto continuará hasta que se hayan eliminado todos los problemas (LED amarillo APAGADO).

Los siguientes párrafos describen las condiciones asociadas con el problema indicado.

#### Problema de supervisión de panel (2 parpadeos)

Este problema aparecerá cuando la comunicación entre el módulo del comunicador y el panel de control falla. Si por alguna razón el módulo no puede comunicarse con el panel; por ejemplo, en caso de pérdida de energía del panel, el módulo enviará un mensaje de problema de panel ausente al receptor de la estación central. Cuando vuelve la comunicación, el módulo envía un mensaje de panel ausente restaurado al receptor de la estación central. Sus códigos de informe son ET0001 para el problema y ER0001 para la restauración. El evento de panel ausente utiliza siempre el código de cuenta del receptor principal cuando se comunica con la estación central.

**NOTA:** el problema/restauración de la supervisión del panel es un evento generado internamente por el comunicador. Es sólo el evento interno; todos los demás eventos los genera el panel de control. Generado si la unidad pierde 3 sondeos (PC9155) o 6 sondeos (PC1864). El problema se restaura al recibir el primer sondeo del panel.

#### Problema de bloqueo (4 parpadeos)

Este problema aparece en cualquiera de las siguientes condiciones: Problema de bloqueo de SIM o de bloqueo de red.

##### a. Problema de bloqueo de SIM

Este problema significa que la característica de bloqueo de SIM se ha activado y que la unidad no se ha programado con el PIN correcto para la tarjeta SIM. El problema de bloqueo de la tarjeta SIM es igual al problema de bloqueo SIM o al problema de bloqueo de la red.

##### b. Problema de bloqueo de red

Este problema se indicará cuando la función de bloqueo de red esté activada y la tarjeta SIM insertada en el dispositivo no tenga acceso a la red en la que está bloqueado el dispositivo.

#### Problema de GSM (5 parpadeos)

Este problema aparece en cualquiera de las siguientes condiciones:

##### a. Error de radio:

el problema se indica después de 8 intentos fallidos de comunicarse con la radio.

##### b. Error de SIM:

el problema se indica después de 10 comandos +CPIN fallidos.

##### c. Problema de red GSM:

el problema se indica cuando se pierde el registro del proveedor de red (3 errores consecutivos de inicio o actualización, error al conectarse a un APN, error al abrir un socket, recuento total de errores en comandos cíclicos = 20 o en la recepción de un MSDI (1/2), (7/8/14). El problema se eliminará después de que se ejecuten correctamente los comandos cíclicos y de inicialización y los comandos MIPCALL y MIPOPEN.

##### d. Cobertura insuficiente:

El problema se indica si se calcula que la cobertura es demasiado baja. (Los dos LED verdes APAGADOS). El problema se eliminará cuando la cobertura calculada esté por encima de los requisitos mínimos.

#### Problema de Ethernet (6 parpadeos)

Este problema indica que no hay enlace Ethernet entre el transmisor y el concentrador o enrutador local. El problema también se indicará si la unidad no puede obtener la configuración DHCP del servidor DHCP. (No está activo si no están programados los receptores Ethernet).

#### El receptor no está disponible (7 parpadeos)

Este problema se indica si la unidad no puede inicializar correctamente alguno de los receptores programados. Se excluyen los receptores sin programar. Este problema también se indica si no han sido programados los APN de los receptores GPRS.

#### Problema de supervisión de receptor (8 parpadeos)

Este problema se indica cuando la supervisión de receptor está activada y falla la comunicación entre el módulo del comunicador y el receptor. El problema se indica si Ethernet 1 está supervisado y no recibe un latido del receptor o el GPRS está supervisado y la unidad no recibe una confirmación a 4 latidos enviados al receptor.

#### Problema de FTC (9 parpadeos)

Este problema se indica cuando la unidad no puede comunicar eventos de módulos a la estación central. El problema se muestra después de que la unidad ha superado todos los intentos de comunicaciones a todos los receptores programados para eventos generados por el comunicador.

#### Programación remota (11 parpadeos)

Este problema se indica durante una actualización remota del firmware o durante la programación remota de DLS. Indica que hay una actualización remota de firmware en curso por GPRS/Ethernet. El problema se eliminará automáticamente cuando se complete correctamente la actualización de la sesión de programación DLS.

#### Problema de configuración de módulo (12 parpadeos)

Este problema indica que no se ha programado el código de cuenta de sistema o la cuenta del receptor. Se excluyen los receptores desactivados.

#### LED de estado de conexión de la red

PARPADEANDO: Indica que hay comunicaciones en curso.

- Una vez rápidamente para las transmisiones salientes de Ethernet.
- Dos veces rápidamente para indicar la confirmación o no confirmación (ACK/NACK) entrante de Ethernet.
- Lentamente para las llamadas de voz entrantes o salientes.

**DESACTIVADO:** Este es el estado normal del LED de estado de conexión de red. No hay problemas de conexión de red.

**ACTIVADO:** Hay un problema con la conexión de red Ethernet o GPRS. El LED estará ENCENDIDO si se produce alguna de las siguientes situaciones:

- El cable Ethernet no está conectado.
- Se ha superado el tiempo de espera de la configuración DHCP.
- La unidad no consigue obtener una dirección IP de la red GPRS.
- Se ha reiniciado la conexión GPRS.



**Cobertura**  (LED verde 1)  (LED verde 2) y  (LED amarillo)

**NOTA:** Si el LED amarillo está parpadeando, no es válida la cobertura de la siguiente tabla. Consulte la Tabla 7 para ver la solución de problemas.

**Tabla 5: Cobertura de la radio**

COBERTURA	NIVEL CSQ	LED AMARILLO	LED VERDE 2	LED VERDE 1	NIVEL DE SEÑAL	ACCIÓN REQUERIDA
Sin señal	0	Activado	Desactivado	Desactivado	-108.8 dBm	Compruebe las conexiones de la antena. Confirme que el servicio GSM está activo. Cambie de sitio el panel o instale una antena externa.
1 barra	1-4	Activado	Desactivado	Parpadeando	-108 dBm ~ -103 dBm	Cambie de sitio el panel o instale una antena externa.
2 barras	5-6	Desactivado	Desactivado	Parpadeando	-102 dBm ~ -99 dB	Si es posible, cambie de sitio el panel o instale una antena externa.
3 barras	7-10	Desactivado	Desactivado	Activado	-98 dBm ~ -91 dBm	La ubicación del panel es aceptable para el nivel de señal GSM.
4 barras	11-13	Desactivado	Parpadeando	Activado	-90 dBm ~ -85 dBm	La ubicación del panel es aceptable para el nivel de señal GSM.
5 barras	14+	Desactivado	Desactivado	Activado	-84 dBm. y más	La ubicación del panel es aceptable para el nivel de señal GSM.

**NOTA:** El comunicador indicará problema de GSM (LED amarillo = 5 parpadeos) si el nivel medio de CSQ es de 5 o menos.

**LED de actividad de red (rojo y verde)**

- **Actividad de Ethernet:** El LED rojo parpadeará rápidamente una vez para la transmisión de Ethernet o dos veces para la recepción de Ethernet.
- **Actividad de GPRS:** El LED verde 2 parpadeará rápidamente una vez para la transmisión de GPRS o dos veces para la recepción de GPRS.
- **Actividad de SMS:** El LED verde 2 parpadeará rápidamente una vez para la transmisión de SMS o dos veces para la recepción de SMS.

**REINICIO DE COMUNICADOR/ACTUALIZACIÓN/USO DE LOS DATOS DE RED**

**Reinicio de los valores predeterminados de fábrica**

Puede restablecer las opciones de programación del comunicador a la configuración de fábrica instalando el puente de hardware. Lleve a cabo los siguientes pasos para reiniciar el comunicador:

**NOTA:** Los dos pines requieren un puente para restablecer los valores de hardware.

1. Retire la cubierta del panel frontal.
2. Localice el conector de cinco pines AUDIO/DEFAULT situado en el medio del panel del comunicador. En los paneles PC1616/1832/1864 los pines 4 y 5 están en la parte superior. (Consulte la Figura 3). En el panel PC9155, los pines 4 y 5 están a la derecha. Consulte la Figura 5.
3. Aplique un puente para comunicar los pines 4 y 5 predeterminados de hardware.
4. Quite toda la alimentación del panel y después enciéndalo. Espere hasta que los dos LED verdes del comunicador empiecen a parpadear rápidamente. (Los LED verdes continuarán parpadeando mientras esté conectado el puente).
5. Quite el puente de los pines de hardware 4 y 5. (Los LED verdes dejarán de parpadear).

**NOTA:** Ahora el comunicador ha sido restablecido a los valores predeterminados de fábrica.

**Actualización de firmware**

El firmware del dispositivo se puede actualizar por GPRS o Ethernet. (Actualización remota o local).

- Cuando empieza la actualización del firmware, todos los LED se encienden.
- Durante el proceso de actualización del firmware, los LED rotarán individualmente siguiendo un patrón.
- Después de una actualización correcta, la unidad se reiniciará automáticamente.
- En caso de que la actualización falle, los cuatro LED se encenderán y después se apagarán a intervalos de un segundo.
- Si no se ha realizado la actualización de firmware, reinicie la unidad. En caso de que se produzcan errores constantes en la actualización, póngase en contacto con su agente.

**Uso de los datos de red**

**Tabla 6: Uso de los datos de red**

TIPO DE PAQUETE	DIRECCIÓN	BYTES	TIPO DE PAQUETE	DIRECCIÓN	BYTES
Inic.	Comunicador a receptor	101 Bytes	Confirm. Contact ID	Receptor a comunicador	49 Bytes
Confirm. inic.	Receptor a comunicador	74 Bytes	Latido 1	Comunicador a receptor	101 Bytes
SIA -Evento único	Comunicador a receptor	124 Bytes	Confirm. latido 1	Receptor a comunicador	74 Bytes
SIA -6 eventos	Comunicador a receptor	149 Bytes	Latido 2	Comunicador a receptor	60 Bytes
Confirm. SIA	Receptor a comunicador	77 Bytes	Confirm. latido 2	Receptor a comunicador	60 Bytes
Evento de Contact ID	Comunicador a receptor	70 Bytes	Cifrado y supervisión activados	Ambas direcciones	149 Bytes

**NOTA:** Con cifrado y supervisión activados, todos los paquetes tienen 149 bytes.

## APÉNDICE A: SOLUCIÓN DE PROBLEMAS DEL COMUNICADOR

**Tabla 7: Indicaciones de problemas con los LED**

INDICACIÓN DE PROBLEMA	PROBLEMA/POSIBLES CAUSAS	POSIBLE SOLUCIÓN DEL PROBLEMA
Los 4 LED APAGADOS	No hay energía	<ul style="list-style-type: none"> <li>• Compruebe las conexiones de energía al panel de control y el módulo comunicador. Confirme que el cable PC-LINK está correctamente conectado.</li> </ul>
	Modo de ahorro de energía (GS2065/TL265GS solo)	<ul style="list-style-type: none"> <li>• El panel de control puede estar en el modo de ahorro de energía (en este modo, los indicadores verdes fijos indican comunicaciones entrantes y salientes). La luz amarilla de estado también sigue funcionando en el modo de ahorro de energía.</li> <li>• Compruebe la fuente de CA del panel de control.</li> </ul>
	Modo en negro del teclado (GS2065/TL265GS solo)	<ul style="list-style-type: none"> <li>• Es posible que el panel de control esté en modo en negro del teclado. Pulse una tecla del teclado para quitar el modo en negro momentáneamente.</li> </ul>
LED amarillo: ENCENDIDO fijo	Cobertura insuficiente	<ul style="list-style-type: none"> <li>• Asegúrese de que la antena está bien conectada a la radio. Compruebe la conexión del cable a la radio.</li> <li>• Si se utiliza una antena de latiguillo, asegúrese de que esté bien atornillada al conector del cable de la antena y conectada internamente a la radio.</li> <li>• Confirme que el servicio de red GSM está activo en su área.</li> </ul>
LED de problemas: 2 parpadeos	Problema de supervisión del panel	<ul style="list-style-type: none"> <li>• Compruebe que la opción del panel [382] opción de cambio [5] está en ACTIVADO (módulo GPRS/Ethernet activado)</li> <li>• Asegúrese de que el cable PC-Link entre el panel de control y el comunicador está correctamente conectado (no invertido) y está fijo en su sitio.</li> </ul>
LED amarillo: 4 parpadeos	Problema de bloqueo	<ul style="list-style-type: none"> <li>• La tarjeta SIM tiene un PIN incorrecto programado o tiene uno que el módulo no reconoce. Pruebe con otra tarjeta SIM.</li> <li>• El módulo se ha bloqueado para la red de un proveedor específica y está intentando usar el dispositivo en una red no permitida. Utilice el dispositivo en la red cuyo uso está previsto.</li> </ul>
LED amarillo: 5 parpadeos	Problema de GSM	<ul style="list-style-type: none"> <li>• Confirme que el servicio GSM está disponible y activo en su área.</li> <li>• Compruebe las conexiones de la antena.</li> <li>• Asegúrese de que hay una cobertura de radio adecuada. (Consulte la Tabla 5).</li> <li>• Asegúrese de que la tarjeta SIM está bien insertada en el soporte.</li> <li>• Asegúrese de que la tarjeta SIM se ha activado.</li> <li>• Si el problema persiste, deberá cambiar de sitio el comunicador o instalar un kit de ampliación de antena externa.</li> </ul>
LED amarillo: 6 parpadeos	Problema de Ethernet	<ul style="list-style-type: none"> <li>• Confirme con su proveedor de servicios de Internet que el servicio de red está activo en su área.</li> <li>• Asegúrese de que el cable de Ethernet está bien insertado en el conector RJ45 del comunicador y el concentrador, enrutador o conmutador.</li> <li>• Compruebe que la luz de enlace del concentrador esté ENCENDIDA. Si la luz de enlace está APAGADA, trate de reiniciar el concentrador. Si el problema persiste, cambie el cable de Ethernet.</li> <li>• Si se utiliza DHCP, asegúrese que la unidad tiene una dirección IP asignada del servidor. Vaya a la sección del panel [851] [992] y asegúrese de que hay programada una dirección IP válida. De lo contrario, póngase en contacto con el administrador de la red.</li> </ul>
LED amarillo: 7 parpadeos	Receptor no disponible	<ul style="list-style-type: none"> <li>• Asegúrese de que la vía Ethernet tiene conectividad con Internet.</li> <li>• Confirme que el SIM no tiene un APN personalizado. La unidad no permitirá la conexión a Internet con APN personalizados.</li> <li>• Si utiliza una dirección IP estática, asegúrese de que la puerta de enlace y la máscara de subred se hayan introducido correctamente.</li> <li>• Si la red tiene un firewall, asegúrese de que la red tiene puertos de salida programados abiertos (puerto UDP predeterminado 3060 y puerto 3065)</li> <li>• Asegúrese de que todos los receptores están programados para DHCP o que tienen la dirección IP y número de puerto correctos.</li> <li>• Asegúrese de que los APN de los receptores GPRS han sido programados con el nombre de punto de acceso facilitado por el proveedor de GSM.</li> </ul>
LED amarillo: 8 parpadeos	Problema de supervisión del receptor	<ul style="list-style-type: none"> <li>• Este problema aparece cuando está activada la supervisión y la unidad no puede comunicarse correctamente con el receptor.</li> <li>• Si el problema persiste, póngase en contacto con su estación central.</li> </ul>
LED amarillo: 9 parpadeos	Problema de FTC	<ul style="list-style-type: none"> <li>• La unidad ha superado todos los intentos de comunicaciones con los receptores programados para eventos generados por el comunicador.</li> <li>• Reinicie el sistema y si el problema continúa, póngase en contacto con su distribuidor.</li> </ul>
LED amarillo: 11 parpadeos	Programación remota	<ul style="list-style-type: none"> <li>• Los LED parpadearán cuando esté en curso una actualización remota de firmware por Ethernet o GPRS. Los LED se apagarán cuando se complete la actualización.</li> <li>• Los LED parpadearán para indicar que hay una sesión de programación activa con DLS por Ethernet o GPRS. Los LED se apagarán cuando la sesión de DLS haya terminado correctamente.</li> </ul>
LED amarillo: 12 parpadeos	Problema de configuración de módulo	<ul style="list-style-type: none"> <li>• Esta indicación aparece cuando la sección [021] Código de cuenta de sistema o la sección [101]; [111]; [201]; y [211] Código de cuenta de receptor no hayan sido programadas. Asegúrese de que se ha introducido un código de cuenta válido en estas secciones.</li> </ul>
Todos los LED parpadearán a la vez	Error en el cargador de inicio	<ul style="list-style-type: none"> <li>• Apague y encienda el módulo comunicador.</li> </ul>
Los LED rojo y amarillo parpadearán al mismo tiempo	Secuencia de inicialización	<ul style="list-style-type: none"> <li>• La unidad todavía se está inicializando. Espere, por favor, a que la unidad establezca una conexión con todos los receptores programados. Tenga en cuenta que este proceso puede tardar algunos minutos.</li> </ul>
Los LED verde parpadearán rápidamente	Puente predeterminado de hardware	<ul style="list-style-type: none"> <li>• Se debe quitar el puente de hardware predeterminado. Consulte la Figura 3 y la Figura 5.</li> </ul>

## IMPORTANTE – LEA ATENTAMENTE

### TE: el Software DSC comprado con o sin Productos y

#### Componentes tiene marca registrada y es adquirido bajo los siguientes términos de licencia:

- Este Acuerdo de Licencia de Usuario Final (End-User License Agreement — "EULA") es un acuerdo legal entre Usted (la compañía, individuo o entidad que ha adquirido el Software y cualquier Hardware relacionado) y **Digital Security Controls, una división de Tyco Safety Products Canada Ltd.** ("DSC"), el fabricante de los sistemas de seguridad integrados y programador del software y de todos los productos o componentes relacionados ("HARDWARE") que usted ha adquirido.
  - Si el producto de software DSC ("PRODUCTO DE SOFTWARE" o "SOFTWARE") necesita estar acompañado de HARDWARE y NO está acompañado de nuevo HARDWARE, usted no puede usar, copiar o instalar el PRODUCTO DE SOFTWARE. EL PRODUCTO DE SOFTWARE incluye software y puede incluir medios asociados, materiales impresos y documentación "en línea" o electrónica.
  - Cualquier software provisto con el PRODUCTO DE SOFTWARE que esté asociado a un acuerdo de licencia de usuario final separado es licenciado a Usted bajo los términos de ese acuerdo de licencia.
  - Al instalar, copiar, realizar la descarga, almacenar, acceder o de otro modo, usar el PRODUCTO DE SOFTWARE, Usted se somete incondicionalmente a los límites de los términos de este EULA, incluso si este EULA es una modificación de cualquier acuerdo o contrato previo. Si no está de acuerdo con los términos de este EULA, DSC no podrá licenciarle el PRODUCTO DE SOFTWARE y Usted no tendrá el derecho de usarlo.
- (f) **Término** - Sin perjuicio de cualesquiera otros derechos, DSC puede terminar este EULA si Usted negligencia el cumplimiento de los términos y condiciones de este EULA. En tal caso, usted debe destruir todas las copias del PRODUCTO DE SOFTWARE y todas sus partes componentes.
- (g) **Marcas registradas** – Este EULA no le concede ningún derecho conectado con ninguna de las marcas registradas de DSC o de sus proveedores.

### 3. DERECHOS DE AUTOR

Todos los derechos de título y propiedad intelectual en este y relativos a este PRODUCTO DE SOFTWARE (incluyendo, pero no limitándose a todas las imágenes, fotografías y textos incorporados al PRODUCTO DE SOFTWARE), los materiales impresos que acompañan, y todas las copias del PRODUCTO DE SOFTWARE, son propiedad de DSC o de sus proveedores. Usted no puede copiar los materiales impresos que acompañan al PRODUCTO DE SOFTWARE. Todos los títulos y derechos de propiedad intelectual en y relativos al contenido que pueden ser accedidos a través del uso del PRODUCTO DE SOFTWARE son de propiedad de su respectivo propietario de contenido y pueden estar protegidos por derechos de autor u otros tratados y leyes de propiedad intelectual. Este EULA no le concede ningún derecho de usar tal contenido. Todos los derechos no expresamente concedidos por este EULA están reservados a DSC y sus proveedores.

### 4. RESTRICCIONES DE EXPORTACIÓN

Usted se compromete a no exportar o reexportar el PRODUCTO DE SOFTWARE a ningún país, persona o entidad sujeta a las restricciones de exportación de Canadá.

### 5. ELECCIÓN DE LEY

Este Acuerdo de Acuerdo de Licencia de Software se rige por las leyes de la Provincia de Ontario, Canadá.

### 6. ARBITRAJE

Todas las disputas que surjan con relación a este Acuerdo estarán determinadas por medio del arbitraje final y vinculante, de acuerdo con el *Arbitration Act*, y las partes acuerdan someterse a la decisión del árbitro. El lugar de arbitraje será Toronto, Canadá, y la lengua de arbitraje será el inglés.

### 7. GARANTÍA LIMITADA

(a) **SIN GARANTÍA** - DSC PROVEE EL SOFTWARE "TAL COMO ES", SIN GARANTÍA. DSC NO GARANTIZA QUE EL SOFTWARE SATISFARÁ SUS NECESIDADES O QUE TAL OPERACIÓN DEL SOFTWARE SERÁ ININTERRUPTA O LIBRE DE ERRORES.

(b) **CAMBIO EN EL ENTORNO OPERATIVO** - DSC no se responsabilizará de problemas causados por cambios en las características operativas del HARDWARE, o de problemas en la interacción del PRODUCTO DE SOFTWARE con SOFTWARE que no sea de DSC o con PRODUCTOS DE HARDWARE.

(c) **LIMITACIÓN DE RESPONSABILIDAD, CUOTA DE RIESGO DE LA GARANTÍA** - EN CUALQUIER CASO, SI ALGUNA LEY IMPLICA GARANTÍAS O CONDICIONES NO ESTABLECIDAS EN ESTE ACUERDO DE LICENCIA, TODA LA RESPONSABILIDAD DE DSC BAJO CUALQUIER DISPOSICIÓN DE ESTE ACUERDO DE LICENCIA SE LIMITARÁ A LA MAYOR CANTIDAD YA PAGADA POR USTED PARA LICENCIAR EL PRODUCTO DE SOFTWARE Y CINCO DÓLARES CANADIENSES (CAD\$5.00). DEBIDO A QUE ALGUNAS JURISDICIONES NO ACEPTAN LA EXCLUSIÓN O LIMITACIÓN DE LA RESPONSABILIDAD PARA DAÑOS CONSECUENTES O INCIDENTALES, LAS LIMITACIONES CITADAS PUEDEN NO APLICARSE A USTED.

(d) **EXENCIÓN DE LAS GARANTÍAS** - ESTA GARANTÍA CONTIENE LA GARANTÍA COMPLETA Y ES VÁLIDA, EN LUGAR DE CUALQUIER OTRA GARANTÍA, YA EXPRESA O IMPLÍCITA (INCLUYENDO TODAS LAS GARANTÍAS IMPLÍCITAS DE MERCANTILIDAD O APTITUD PARA UN PROPOSITO DETERMINADO) Y DE TODAS LAS OBLIGACIONES O RESPONSABILIDADES POR PARTE DE DSC. DSC NO CONCEDE OTRAS GARANTÍAS. DSC TAMPOCO ASUME NI AUTORIZA A NINGUNA OTRA PERSONA QUE PRETENDA ACTUAR EN SU NOMBRE PARA MODIFICAR O CAMBIAR ESTA GARANTÍA NI PARA ASUMIR PARA ELLA NINGUNA OTRA GARANTÍA O RESPONSABILIDAD RELATIVA A ESTE PRODUCTO DE SOFTWARE.

(e) **REPARACIÓN EXCLUSIVA Y LIMITACIÓN DE GARANTÍA** - BAJO NINGUNA CIRCUNSTANCIA DSC SERÁ RESPONSABLE DE CUALQUIER DAÑO ESPECIAL, IMPREVISTO O CONSECUENTE O DAÑOS INDIRECTOS BASADOS EN INFRACCIÓN DE LA GARANTÍA, INFRACCIÓN DEL CONTRATO, NEGLIGENCIA, RESPONSABILIDAD ESTRICTA O CUALQUIER OTRA TEORÍA LEGAL. TALES DAÑOS INCLUYEN, PERO NO SE LIMITAN, A PERDIDAS DE BENEFICIOS, PÉRDIDA DEL PRODUCTO DE SOFTWARE O CUALQUIER EQUIPO ASOCIADO, COSTE DE CAPITAL, COSTE DE SUSTITUCIÓN O REEMPLAZO DE EQUIPO, INSTALACIONES O SERVICIOS, DOWN TIME, TIEMPO DEL COMPRADOR, REIVINDICACIONES DE TERCEROS, INCLUYENDO CLIENTES, Y DAÑOS A LA PROPIEDAD.

**ADVERTENCIA:** DSC recomienda que se pruebe todo el sistema completamente de modo regular. Sin embargo, a pesar de las pruebas frecuentes, y debido a ellas, pero no limitado a las mismas, intento criminal de forzarlo o interrupción eléctrica, es posible que este PRODUCTO DE SOFTWARE falle con relación al desempeño esperado.

### LICENCIA DE PRODUCTO DE SOFTWARE

El PRODUCTO DE SOFTWARE está protegido por leyes de derecho de autor y acuerdos de derecho de autor, así como otros tratados y leyes de propiedad intelectual. El PRODUCTO DE SOFTWARE es licenciado, no vendido.

#### 1. CONCESIÓN DE LICENCIA. Este EULA le concede los siguientes derechos:

- Instalación y uso del software** – Para cada licencia que Usted adquiere, Usted puede instalar tan sólo una copia del PRODUCTO DE SOFTWARE.
- Almacenamiento/Usa en red** – El PRODUCTO DE SOFTWARE no puede ser instalado, accedido, mostrado, ejecutado, compartido o usado al mismo tiempo desde diferentes ordenadores, incluyendo una estación de trabajo, terminal u otro dispositivo electrónico ("Dispositivo"). En otras palabras, si Usted tiene varias estaciones de trabajo, Usted tendrá que adquirir una licencia para cada estación de trabajo donde usará el SOFTWARE.
- Copia de seguridad** – Usted puede tener copias de seguridad del PRODUCTO DE SOFTWARE, pero sólo puede tener una copia por licencia instalada en un momento determinado. Usted puede usar la copia de seguridad solamente para propósitos de archivo. Excepto del modo en que está expresamente previsto en este EULA, Usted no puede hacer copias del PRODUCTO DE SOFTWARE de otro modo, incluyendo los materiales impresos que acompañan al SOFTWARE.

#### 2. DESCRIPCIÓN DE OTROS DERECHOS Y LIMITACIONES

- Limitaciones en Ingeniería Reversa, Descompilación y Desmontado** – Usted no puede realizar ingeniería reversa, descompilar o desmontar el PRODUCTO DE SOFTWARE, excepto y solamente en la medida en que dicha actividad esté expresamente permitida por la ley aplicable, no obstante esta limitación. Usted no puede realizar cambios ni modificaciones al Software, sin el permiso escrito de un oficial de DSC. Usted no puede eliminar avisos de propiedad, marcas o etiquetas del Producto de Software. Usted debería instituir medidas razonables que aseguren el cumplimiento de los términos y condiciones de este EULA.
- Separación de los Componentes** – El PRODUCTO DE SOFTWARE se licencia como un producto único. Sus partes componentes no pueden ser separadas para el uso en más de una unidad de HARDWARE.
- Producto ÚNICO INTEGRADO** – Si usted adquirió este SOFTWARE con HARDWARE, entonces el PRODUCTO DE SOFTWARE está licenciado con el HARDWARE como un producto único integrado. En este caso, el PRODUCTO DE SOFTWARE puede ser usado solamente con el HARDWARE, tal y como se establezca más adelante en este EULA.
- Alquilar** – Usted no puede alquilar, prestar o arrendar el PRODUCTO DE SOFTWARE. No puede disponibilizarlo a terceros ni colgarlo en un servidor o una página web.
- Transferencia de Producto de Software** – Usted puede transferir todos sus derechos bajo este EULA sólo como parte de una venta permanente o transferencia del HARDWARE, desde que Usted no retenga copias y transfiera todo el PRODUCTO DE SOFTWARE (incluyendo todas las partes componentes, los materiales impresos y mediatícos y cualquier actualización y este EULA) y desde que el receptor esté conforme con los términos de este EULA. Si el PRODUCTO DE SOFTWARE es una actualización, cualquier transferencia debe incluir también todas las versiones previas del PRODUCTO DE SOFTWARE.

## Garantía Limitada

Digital Security Controls garantiza al comprador original que por un periodo de doce meses desde la fecha de compra, el producto está libre de defectos en materiales y hechura en uso normal. Durante el periodo de la garantía, Digital Security Controls, decide sí o no, reparará o reemplazará cualquier producto defectuoso devolviendo el producto a su fábrica, sin costo por labor y materiales. Cualquier repuesto o pieza reparada está garantizada por: el resto de la garantía original o noventa (90) días, cualquiera de las dos opciones de mayor tiempo. El propietario original debe notificar puntualmente a Digital Security Controls por escrito que hay un defecto en material o hechura, tal aviso escrito debe ser recibido en todo evento antes de la expiración del periodo de la garantía. No hay absolutamente ningún tipo de garantía sobre software y todos los productos de software son vendidos como una licencia de usuario bajo los términos del contrato de licencia del software incluido con el producto. El comprador asume toda responsabilidad por la apropiada selección, instalación, operación y mantenimiento de cualquier producto comprado a DSC. La garantía de los productos hechos a medida alcanzan solamente a aquellos productos que no funcionen al momento de la entrega. En tales casos, DSC puede reemplazarlos o acreditarlos, a opción de DSC.

### **Garantía Internacional**

La garantía para los clientes internacionales es la misma que para cualquier cliente de Canadá y los Estados Unidos, con la excepción que Digital Security Controls no será responsable por cualquier costo aduanero, impuestos o VAT que puedan ser aplicados.

### **Procedimiento de la Garantía**

Para obtener el servicio con esta garantía, por favor devuelva el(los) artículo(s) en cuestión, al punto de compra. Todos los distribuidores autorizados tienen un programa de garantía. Cualquiera que devuelva los artículos a Digital Security Controls, debe primero obtener un número de autorización. Digital Security Controls, no aceptará ningún cargamento de devolución sin que haya obtenido primero el número de autorización.

### **Condiciones para Cancelar la Garantía**

Esta garantía se aplica solamente a defectos en partes y en hechura concerniente al uso normal. Esta no cubre:

- daños incurridos en el manejo de envío o cargamento
- daños causados por desastres tales como incendio, inundación, vientos, terremotos o rayos eléctricos.
- daños debido a causas más allá del control de Digital Security Controls, tales como excesivo voltaje, choque mecánico o daño por agua.
- daños causados por acoplamientos no autorizados, alteraciones, modificaciones u objetos extraños.
- daños causados por periféricos (al menos que los periféricos fueron suministrados por Digital Security Controls);
- defectos causados por falla en el suministro un ambiente apropiado para la instalación de los productos;
- daños causados por el uso de productos, para propósitos diferentes, para los cuales fueron designados;
- daño por mantenimiento no apropiado;
- daño ocasionado por otros abusos, mal manejo o una aplicación no apropiada de los productos.

### **Ítems no cubiertos por la Garantía**

Además de los ítems que cancelan la Garantía, los siguientes ítems no serán cubiertos por la Garantía: (i) costo de flete hasta el centro de reparación; (ii) los productos que no sean identificados con la etiqueta de producto de DSC y su número de lote o número de serie; (iii) los productos que hayan sido desensamblados o reparados de manera tal que afecten adversamente el funcionamiento o no permitan la adecuada inspección o pruebas para verificar cualquier reclamo de garantía. Las tarjetas o etiquetas de

acceso devueltas para su reemplazo bajo la garantía, serán acreditadas o reemplazadas a opción de DSC. Los productos no cubiertos por la presente garantía, o de otra manera fuera de la garantía debido al transcurso del tiempo, mal uso o daño, serán evaluados y se proveerá una estimación para la reparación. No se realizará ningún trabajo de reparación hasta que una orden de compra válida enviada por el Cliente sea recibida y un número de Autorización de Mercadería Devuelta (RMA) sea emitido por el Servicio al Cliente de DSC.

La responsabilidad de Digital Security Controls, en la falla para reparar el producto bajo esta garantía después de un número razonable de intentos será limitada a un reemplazo del producto, como el remedio exclusivo para el rompimiento de la garantía. Bajo ninguna circunstancias Digital Security Controls, debe ser responsable por cualquier daño especial, incidental o consiguiente basado en el rompimiento de la garantía, rompimiento de contrato, negligencia, responsabilidad estricta o cualquier otra teoría legal. Tales daños deben incluir, pero no ser limitados a, pérdida de ganancias, pérdida de productos o cualquier equipo asociado, costo de capital, costo de sustitutos o reemplazo de equipo, facilidades o servicios, tiempo de inactividad, tiempo del comprador, los reclamos de terceras partes, incluyendo clientes, y perjuicio a la propiedad. Las leyes de algunas jurisdicciones limitan o no permiten la renuncia de daños consecuentes. Si las leyes de dicha jurisdicción son aplicables sobre cualquier reclamo por o en contra de DSC, las limitaciones y renuncias aquí contenidas serán las de mayor alcance permitidas por la ley. Algunos estados no permiten la exclusión o limitación de daños incidentales o consecuentes, en tal caso lo arriba mencionado puede no ser aplicable a Ud.

### **Renuncia de Garantías**

Esta garantía contiene la garantía total y debe prevalecer sobre cualquiera otra garantía y todas las otras garantías, ya sea expresada o implicada (incluyendo todas las garantías implicadas en la mercancía o fijada para un propósito en particular) Y todas las otras obligaciones o responsabilidades por parte de Digital Security Controls. Digital Security Controls, no asume o autoriza a cualquier otra persona para que actúe en su representación, para modificar o cambiar esta garantía, ni para asumir cualquier otra garantía o responsabilidad concerniente a este producto.

Esta renuncia de garantía y garantía limitada son regidas por el gobierno y las leyes de la provincia de Ontario, Canadá.

**ADVERTENCIA:** Digital Security Controls, recomienda que todo el sistema sea completamente probado en forma regular. Sin embargo, a pesar de las pruebas frecuentes, y debido a, pero no limitado a, sabotaje criminal o interrupción eléctrica, es posible que este producto falle en trabajar como es esperado.

### **Reparaciones Fuera de la Garantía**

Digital Security Controls, en su opción reemplazará o reparará los productos por fuera de la garantía que sean devueltos a su fábrica de acuerdo a las siguientes condiciones. Cualquiera que esté regresando los productos a Digital Security Controls, debe primero obtener un número de autorización. Digital Security Controls, no aceptará ningún cargamento sin un número de autorización primero.

Los productos que Digital Security Controls, determine que son reparables serán reparados y regresados. Un cargo fijo que Digital Security Controls, ha predeterminado y el cual será revisado de tiempo en tiempo, se exige por cada unidad reparada.

Los productos que Digital Security Controls, determine que no son reparables serán reemplazados por el producto más equivalente disponible en ese momento. El precio actual en el mercado del producto de reemplazo se cobrará por cada unidad que se reemplace.

Português

<b>Introdução</b> .....	<b>43</b>
Montagem do painel .....	43
Recursos .....	43
Especificações técnicas .....	43
Capacidades nominais .....	43
Compatibilidade .....	44
Criptografia .....	44
<b>Configuração pré-instalação do comunicador</b> .....	<b>44</b>
Instalação do cabo Ethernet (somente TL260GS/TL265GS) .....	44
Inserção e remoção do cartão SIM .....	44
Ativação da conta do DLS IV (antes da instalação) .....	44
<b>Instalação do comunicador GSM/ETHERNET em gabinete</b> .....	<b>45</b>
Instalação do comunicador GS2060/TL260GS com o painel PC1616/1832/1864 v4.3+ .....	45
Programação do PC1616/1832/1864 v4.3+ .....	46
Problemas do comunicador exibidos no painel PC1616/1832/1864 v4.3+ .....	46
Instalação do GS2065/TL265GS com o painel PC9155 .....	47
Recurso de economia de energia (somente GS2065/TL265) .....	48
Problemas do comunicador exibidos no painel PC9155 .....	48
<b>Teste de posicionamento do comunicador</b> .....	<b>48</b>
<b>Programação remota</b> .....	<b>49</b>
Programação via DLS IV: .....	49
Programação via Ethernet/Internet: .....	49
<b>LEDs de estado do comunicador</b> .....	<b>49</b>
LED amarelo de problema .....	49
LED vermelho do estado de conexão da rede .....	50
(LED verde 1) (LED verde 2) e (LED amarelo) – Intensidade de sinal .....	50
<b>Restauração/Atualização do Comunicador/Use de Dados da Rede</b> .....	<b>51</b>
Restauração dos padrões de fábrica .....	51
Atualização do firmware .....	51
Uso de dados da rede .....	51
<b>Apêndice A: Resolução de Problemas do Comunicador</b> .....	<b>52</b>

**NOTA:**

Este documento não inclui a Programação do Módulo GPRS/Ethernet (Seção [851] do Painel). Consulte o documento Planilhas de Programação DSC – Peça Número 29007619R001, fornecida com o Comunicador. As instruções de instalação contidas neste documento aplicam-se somente ao Comunicador GS2060/GS2065 e TL260GS/TL265GS.

**IMPORTANTE**

O Comunicador GPRS/Ethernet é fixo, montado na parede, e deve ser instalado na posição especificada nestas instruções. A caixa de proteção do equipamento deve ser completamente montada e fechada, com todos os parafusos e linguetas necessários, e fixada a uma parede antes da operação. O cabeamento interno deve ser realizado de maneira a evitar:

- Esforço excessivo sobre os cabos e as conexões terminais,
- Interferência entre cabos de alimentação limitada e não limitada,
- Afrouxamento de terminais; conexões, ou
- Danos no isolamento do condutor.

**AVISO: Nunca instale este equipamento durante uma tempestade com raios!**

**O instalador deve instruir o usuário do sistema em cada um dos seguintes aspectos:**

- Não tente fazer reparos neste produto. Abrir e remover as tampas pode expor o usuário a tensões perigosas ou outros riscos.
- Qualquer reparo deve ser encaminhado somente a profissionais de manutenção treinados.
- Use somente acessórios autorizados com este equipamento.

# AVISO Leia com atenção

## Nota para Instaladores

Esta advertência contém informações vitais. Como único indivíduo em contato com os usuários do sistema, é de sua responsabilidade trazer cada item desta advertência à atenção dos usuários deste sistema.

### Falhas do Sistema

Este sistema foi cuidadosamente projetado para ser tão eficaz quanto possível. Entretanto, há circunstâncias que envolvem incêndio, roubo ou outros tipos de emergência, onde este poderia não oferecer proteção. Qualquer sistema de alarme de qualquer tipo pode estar comprometido deliberadamente ou pode falhar ao operar como esperado por uma variedade de razões. Algumas, mas não todas destas razões podem ser:

#### Instalação Inadequada

Um sistema de segurança deve ser instalado adequadamente a fim de fornecer uma proteção adequada. Cada instalação deverá ser avaliada por um profissional de segurança para garantir que todos os pontos e áreas de acesso sejam cobertos. Fechaduras e trancas em janelas e portas devem ser fixadas e operar como previsto. Janelas, portas, paredes, tetos e outros materiais de construção devem ser de suficiente resistência e construção para oferecer o nível de proteção esperado. Uma reavaliação deve ser feita durante e após qualquer atividade de construção. Uma avaliação pelo departamento de incêndio e/ou de polícia é extremamente recomendada se este serviço estiver disponível.

#### Conhecimento criminal

Este sistema contém recursos de segurança que são conhecidos como sendo eficazes no momento da fabricação. É possível, para pessoas com pretensões criminais, desenvolver técnicas que reduzam a eficácia destes recursos. É importante que um sistema de segurança seja revisado periodicamente para garantir que os seus recursos permaneçam eficazes e que sejam atualizados ou substituídos, se forem encontrados de forma que não ofereçam a proteção esperada.

#### Acesso por Intrusos

Os intrusos podem entrar através de um ponto de acesso não protegido, evitando um dispositivo sensor, esquivando-se de detecção pela movimentação através de uma área de cobertura insuficiente, desconectando um dispositivo de aviso ou interferindo ou evitando a operação adequada do sistema.

#### Falha de Energia

As unidades de controle, os detectores de intrusão, os detectores de fumaça e vários outros dispositivos de segurança requerem uma fonte de alimentação adequada para operação apropriada. Se um dispositivo opera com baterias, é possível que as baterias falhem. Mesmo se as baterias não falharem, elas devem ser carregadas, em boas condições e instaladas corretamente. Se um dispositivo opera somente com energia de CA, qualquer interrupção, mesmo que breve, tornará aquele dispositivo inoperante enquanto não tiver energia. As interrupções de energia de qualquer duração são frequentemente acompanhadas por flutuações de tensão, que pode danificar o equipamento eletrônico, tal como um sistema de segurança. Após ter ocorrido uma interrupção de energia, conduzir imediatamente um teste completo do sistema para garantir que o sistema opere como planejado.

#### Falha das Baterias Substituíveis

Os transmissores remotos deste sistema foram projetados para oferecer vários anos de vida de bateria sob condições normais. A vida esperada da bateria é uma função do ambiente do dispositivo, utilização e tipo. As condições ambientais, tais como alta umidade, alta ou baixa temperatura ou grandes flutuações de temperatura, podem reduzir a vida esperada da bateria. Enquanto cada dispositivo transmissor tem um monitor de bateria baixa, o qual identifica quando as baterias necessitam ser substituídas, este monitor pode falhar para operar como esperado. Teste e manutenção regulares manterão o sistema em boas condições operacionais.

#### Compromisso dos Dispositivos de Radiofrequência (sem fio)

Os sinais podem não alcançar o receptor sob todas as circunstâncias as quais poderiam incluir objetos de metal posicionados sobre ou próximos do caminho do rádio ou considerar bloqueio ou outra interferência do sinal de rádio por inadvertência.

#### Usuários do Sistema

Um usuário pode não estar apto a operar um interruptor de pânico ou de emergência, possivelmente devido à desabilidade física permanente ou temporária, inabilidade para alcançar o dispositivo em tempo ou não-familiaridade com a operação correta. É importante que todos os usuários do sistema sejam treinados sobre a operação correta do sistema de alarme e que eles saibam como responder quando o sistema indicar um alarme.

#### Detectores de Fumaça

Os detectores de fumaça, que são uma parte deste sistema, podem não alertar adequadamente os ocupantes de um incêndio por várias razões, algumas das quais citadas a seguir. Os detectores de fumaça podem não ter sido instalados ou posicionados adequadamente. A

fumaça pode não ser capaz de alcançar os detectores de fumaça, tal como quando o fogo está em uma chaminé, paredes ou telhados, ou do outro lado de portas fechadas. Os detectores de fumaça podem não detectar a fumaça de incêndios em um outro pavimento da residência ou do prédio.

Cada incêndio é diferente na quantidade de fumaça produzida e na proporção da queima. Os detectores de fumaça podem não detectar igualmente bem todos os tipos de fogo. Os detectores de fumaça podem não proporcionar aviso em tempo de incêndios causados por imprudência ou riscos de segurança, tais como fumar na cama, explosões violentas, escape de gás, estocagem inadequada de materiais inflamáveis, circuitos elétricos sobrecarregados, crianças brincando com fósforos ou incêndio culposos. Mesmo se o detector de fumaça operar como planejado, pode haver circunstâncias quando há aviso insuficiente para permitir que todos os ocupantes escapem em tempo para evitar lesões ou morte.

#### Detectores de Movimento

Os detectores de movimento podem detectar movimento somente dentro das áreas designadas, como mostrado nas suas respectivas instruções de instalação. Eles não podem discriminar entre intrusos e ocupantes internos. Os detectores de movimento não oferecem proteção da área volumétrica. Eles têm múltiplos feixes de detecção e o movimento pode somente ser detectado em áreas não obstruídas cobertas por estes feixes. Eles não podem detectar movimento que ocorre atrás das paredes, tetos, pisos, portas fechadas, partições de vidro, portas ou janelas de vidro. Qualquer tipo de violação, seja intencional ou não-intencional, tais como mascaramento, pintura ou borrifação de qualquer material nos sensores, espelhos, janelas ou qualquer outra parte do sistema de detecção, prejudicará sua operação adequada.

Os detectores de movimento com infravermelho passivo operam detectando alterações na temperatura. Entretanto, a sua eficácia pode ser reduzida quando a temperatura ambiente aumentar para próximo ou acima da temperatura do corpo ou se houver fontes de calor intencionais ou não-intencionais dentro ou próximas da área de detecção. Algumas destas fontes de calor poderiam ser aquecedores, radiadores, estufas, churrasqueiras, lareiras, luz solar, vaporizadores, iluminação, etc.

#### Dispositivos de Aviso

Os dispositivos de aviso, tais como sirenes, buzinas ou luzes estroboscópicas podem não avisar ou acordar alguém que esteja dormindo, se houver intervenção de uma parede ou porta. Se os dispositivos de aviso estiverem localizados em um nível diferente da residência ou do prédio, então, é menos provável que os ocupantes sejam alertados ou acordados. Os dispositivos de aviso audíveis podem ser interferidos por outras fontes de ruído, como estéreos, rádios, televisores, ares-condicionados ou outros equipamentos ou tráfego passante. Os dispositivos de aviso audíveis, mesmo altos, podem não ser ouvidos por uma pessoa com deficiência auditiva.

#### Linhas Telefônicas

Se as linhas telefônicas forem utilizadas para transmitir alarmes, elas podem estar fora de serviço ou ocupadas por certos períodos de tempo. Outrossim, um intruso pode cortar a linha telefônica ou anular sua operação por meios mais sofisticados, os quais podem ser difíceis de serem detectados.

#### Tempo Insuficiente

Pode haver circunstâncias, quando o sistema irá operar como planejado, em que os ocupantes não seriam protegidos de emergência devido à sua inabilidade de responder aos avisos em tempo. Se o sistema for monitorado, a resposta pode não ocorrer em tempo para proteger os ocupantes ou os seus pertences.

#### Falha de Componente

Embora todo esforço tenha sido feito para fazer este sistema tão confiável quanto possível, o sistema pode falhar para funcionar como planejado devido à falha de um componente.

#### Teste Inadequado

A maioria dos problemas, que evitariam um sistema de alarme de operar como planejado, pode ser encontrada pelo teste e manutenção regulares. O sistema completo deverá ser testado semanalmente e imediatamente após uma interrupção, uma interrupção intencional, um incêndio, uma tempestade, um terremoto, um acidente ou qualquer tipo de atividade de construção dentro ou fora das instalações. O teste deverá incluir todos os dispositivos sensores, teclados, consoles, dispositivos que indicam alarme e quaisquer outros dispositivos operacionais que fazem parte do sistema.

#### Segurança e Seguro

Independente de suas competências, um sistema de alarme não é um substituto para um seguro de propriedade ou de vida. Um sistema de alarme também não é um substituto para possuidores de propriedades, inquilinos ou outros ocupantes para agir prudentemente a fim evitar ou minimizar os efeitos prejudiciais de uma situação de emergência.

## INTRODUÇÃO

**TGS2060/GS2065:** Comunicadores de alarme sem fio GPRS/GSM (General Packet Radio Service/Global System for Mobile) que enviam comunicação de alarme aos receptores Sur-Gard System I, II e III (SG-DRL3IP) da estação central através de uma rede celular digital GPRS/GSM.

**TL260GS/TL265GS:** Comunicadores de alarme GSM/Ethernet bidirecionais que enviam comunicações de alarme a receptores Sur-Gard System I e III da estação central através da Ethernet/Internet ou de uma rede celular digital GPRS/GSM.

O comunicador pode ser usado como um comunicador principal ou auxiliar. O comunicador suporta a transmissão de IP de eventos internos e do painel através da Ethernet/Internet e/ou GSM/GPRS. O comunicador pode fornecer notificação de eventos via SMS e permite o SMS interativo via GPRS e Ethernet para serviços de terceiros usando o protocolo ITV2.

O desempenho do GPRS/GSM dos comunicadores **GS2060/GS2065/TL260GS/TL265GS** depende imensamente da cobertura GSM da rede. Ele não deve ser montado no local final sem antes executar o Teste de posicionamento do comunicador na página 48 para determinar o melhor local para a recepção de rádio (mínimo de um LED verde **ACESO**). Kits de antenas opcionais estão disponíveis na DSC em: <http://www.DSC.com>.

**NOTA:** Antes da instalação do comunicador, confirme com sua operadora se uma rede GPRS/GSM está disponível e ativa na região em que o comunicador será instalado e se a intensidade de sinal de rádio é adequada.

### Montagem do painel

Os seguintes comunicadores são compatíveis com os painéis de controle PC1616/PC1832/PC1864 v4.3+:

- **GS2060** (somente GPRS/GSM) • **TL260GS** (Ethernet/Internet + GPRS/GSM bidirecional)

Os seguintes modelos de comunicador são compatíveis com os painéis de controle PC9155:

- **GS2065** (somente GPRS/GSM) • **TL265GS** (Ethernet/Internet + GPRS/GSM bidirecional).

**NOTA:** Quando o **GS2065** for instalado, o modelo :9155G. Quando o **TL265GS** for instalado, o modelo : 9155D.

### Recursos

- Criptografia AES de 128 bits via GPRS/GSM e Ethernet/Internet (certificado de validação NIST nº. 995).
- Programação avançada remota e local via DSC DLS IV.
- Comunicação de alarme via GPRS/GSM auxiliar ou principal.
- Ethernet LAN/WAN 10/100 BaseT (somente TL260GS/TL265GS).
- Relatório completo dos eventos.
- Programação completa do teclado (somente GS2065 e TL265GS).
- Comunicação de alarme via Ethernet/Internet e GPRS/GSM bidirecional totalmente redundante (somente TL260GS/TL265GS).
- Transmissão de teste periódica via Ethernet e/ou GPRS individual.
- Código do instalador.
- Roteamento de chamadas integrado.
- Suporte para upload/download remoto do painel via GPRS/GSM e Ethernet/Internet.
- Conexão PC-LINK.
- Rótulos programáveis (rótulos de zonas e partições sincronizados automaticamente somente com os painéis 9155 v1.1+)
- Comandos SMS programáveis e mensagens de resposta em 28 idiomas via mensagens de texto para telefone celular.
- Operação em quatro faixas de frequência: 850 MHz, 900 MHz, 1800 MHz e 1900 MHz.
- Formato SIA (Contact ID somente no GS2065/TL265GS V1.1).
- Exibição da intensidade do sinal e do problema.
- Pulsações de supervisão via GPRS/GSM e Ethernet/Internet.

### Especificações técnicas

**A fonte de alimentação deve ser de classe II, limitada. (ou seja, não mais que 30 V ou 8 A para o total máximo de 100 VA).**

### Capacidades nominais

**Tabela 1: Capacidades nominais do comunicador**

MODELO	GS2060 SOMENTE GPRS/GSM	TL260GS ETHERNET E GPRS	GS2065 SOMENTE GPRS/GSM	TL265GS ETHERNET E GPRS
<b>TENSÃO NOMINAL DA FONTE DE ALIMENTAÇÃO</b>				
• Tensão de entrada	11,1 a 12,6 V CC: A saída da campainha do painel deve ter a tensão nominal reduzida: 700 mA – (mA do comunicador) = saída da campainha com tensão reduzida.		11,1 a 12,6 V CC (do conector PC-LINK)	
<b>CONSUMO DE CORRENTE</b>				
• Corrente do modo de espera	65 mA a 12 V	100 mA a 12 V	65 mA a 12 V	100 mA a 12 V
• Corrente do alarme (transmissão)	400 mA a 12 V durante a transmissão			
• Frequência de operação	Quatro faixas de frequência: 850 MHz, 900 MHz, 1800 MHz, 1900 MHz			
• Ganho típico da antena	2 db			
<b>ESPECIFICAÇÕES AMBIENTAIS</b>				
• Temperatura operacional	-10°C a 55°C			
• Umidade	5% a 93% de umidade relativa, sem condensação			
<b>ESPECIFICAÇÕES MECÂNICAS</b>				
• Dimensões da placa (mm)	100 × 150 × 15	100 × 150 × 18	100 × 150 × 15	100 × 150 × 18
• Peso (gramas)	310 (com suporte de montagem)	320 (com suporte de montagem)	68	78

Tabela 2: Receptores, painéis de controle e gabinetes compatíveis

COMUNICADOR	RECEPTOR/PAINEL	DESCRIÇÃO
GS2060/TL260GS GS2065/TL265GS	Receptor	<ul style="list-style-type: none"> <li>• Receptor Sur-Gard System I, versão 1.1+</li> <li>• Receptor Sur-Gard System II, versão 2.0+</li> <li>• Sur-Gard SG-DRL3-IP versão 2.2+ (para o receptor Sur-Gard System III)</li> </ul>
GS2060/TL260GS	Painel de controle e gabinetes	<ul style="list-style-type: none"> <li>• Power Series PC1864, versão 4.3+</li> <li>• Power Series PC1832, versão 4.3+</li> <li>• Power Series PC1616, versão 4.3+</li> <li>• Gabinetes: PC5003C/PC4050C</li> </ul>
GS2065/TL265GS	Painel de controle	<ul style="list-style-type: none"> <li>• PC9155 versão 1.1+</li> </ul>

## CONFIGURAÇÃO PRÉ-INSTALAÇÃO DO COMUNICADOR

Este comunicador GSM/Ethernet é fixo e deve ser instalado somente por profissionais de manutenção. (Profissional de manutenção é definido como uma pessoa com treinamento técnico apropriado e a experiência necessária para estar ciente dos riscos a que pode estar exposto na execução de uma tarefa e saber as medidas cabíveis para minimizar os riscos a si próprio ou a outras pessoas). O comunicador deve ser instalado e usado em um ambiente que forneça o grau de poluição 2 no máximo, sobretensão de categoria II, somente em locais internos e não perigosos. Este manual deve ser usado com o Manual de Instalação do painel de controle de alarme conectado ao comunicador GSM/Ethernet. Todas as instruções especificadas no manual do painel devem ser seguidas.

### Criptografia

O comunicador usa a criptografia AES de 128 bits. A criptografia pode ser habilitada somente no receptor da estação de monitoramento. Cada receptor pode habilitar ou desabilitar a criptografia de forma independente. Quando a criptografia for habilitada, a estação central irá configurar o dispositivo para criptografar as comunicações na próxima vez em que o módulo comunicador estabelecer comunicação com esse receptor.

**NOTA: Os pacotes começarão a ser criptografados somente depois que o próximo evento for enviado a esse receptor, ou se o equipamento for reiniciado.**

### Instalação do cabo Ethernet (somente TL260GS/TL265GS)

Um cabo Ethernet de categoria 5 (CAT 5) deve ser conectado de uma fonte de conectividade Ethernet/Internet ao módulo comunicador, dentro do gabinete do painel de controle. A extremidade do cabo referente ao comunicador deve ter um plugue RJ45, que é conectado ao conector RJ45 do comunicador. Todos os requisitos de instalação do cabo Ethernet CAT5 devem ser seguidos para promover a operação correta do comunicador, incluindo, sem limitação, o seguinte:

- NÃO retire a cobertura do cabo mais do que o necessário para a terminação adequada.
- NÃO dobre nem faça nós no cabo. • NÃO comprima o cabo com abraçadeiras para cabo. • NÃO desfaça o trançado dos pares CAT5 em mais de 1,2 cm.
- NÃO emende o cabo. • NÃO dobre o cabo em ângulos determinados nem de qualquer outra forma pontiaguda.

**NOTA: A especificação CAT5 requer que qualquer dobradura de cabo deve ter um raio mínimo de 5 cm. NÃO exceda o máximo de 15 cm do centro da ferrita do conector de rede T-Link. O comprimento máximo do cabo CAT 5 é de 100 m.**

### Inserção e remoção do cartão SIM

1. Se o comunicador já estiver instalado em um gabinete do painel de controle, remova a tampa frontal do painel de controle para acessar o compartimento do cartão SIM.
2. Desligue o painel e desconecte as conexões da bateria auxiliar.
3. No compartimento do cartão SIM, empurre delicadamente para deslizar a tampa na direção da antena PCB, conforme indicado pela seta no compartimento SIM na direção OPEN (abrir). Isso destravará o compartimento do cartão SIM no lado mais próximo da borda da PCB do comunicador.
4. Levante a tampa do cartão SIM pela lateral para que não fique curvada.
5. Insira ou remova o cartão SIM, observando a orientação dos entalhes do cartão SIM e do compartimento correspondente.
6. Quando for inserir um cartão SIM, insira-o na orientação adequada e empurre delicadamente o compartimento do cartão SIM para baixo e deslize-o conforme indicado pela seta marcada no cartão SIM na direção LOCK (travar). Veja a Figura 3 e Figura 5.

Reconecte a bateria auxiliar, aplique a alimentação ao painel e recoloque a tampa do painel.

### Ativação da conta do DLS IV (antes da instalação)

Opcionalmente, o instalador pode executar toda a programação do módulo antes da instalação no local - (se o cartão SIM tiver sido ativado). Execute as seguintes etapas para programar o comunicador localmente usando o software DLS IV.

**NOTA: Quando você receber o cartão SIM da operadora de rede GSM local, registre o número de telefone GSM do cartão SIM. Esse número será exigido pela programação remota e também é o número que será usado para funções do SMS interativo. Devido à natureza do processo de ativação do cartão SIM com as operadoras de rede GSM, pode demorar até 24 horas para a ativação do cartão SIM ser concluída.**

1. Conecte o comunicador ao seu computador usando o cabo PC-Link apropriado para o tipo de comunicador:
  - a. GS2060 e TL260GS: kit PCLINK-9 ou kit PCLINK-SCW.
  - b. GS2065 e TL265GS: kit PCLINK-5WP.
2. Ligue o comunicador.
  - a. GS2060 e TL260GS: obtenha o poder das saídas Bell + e Aux - do painel. (PC1616/1832/1864 v4.3+).
  - b. GS2065 e TL265G: obtenha o poder do transformador fornecido com o kit PCLINK-5WP.
3. Execute o software DLS IV em seu computador.
4. Execute as seguintes etapas para programar o comunicador usando o software DLS IV:
  - a. Selecione o **tipo do painel de controle** e configure uma nova conta para essa instalação.
  - b. Adicione o tipo de comunicador a essa conta.
  - c. Adicione o tipo de conexão do comunicador (SMS, Ethernet/Internet e PC-Link) e digite todas as informações relevantes.
  - d. Abra a nova conta e navegue até a seção **GS/IP**.
  - e. Na guia **Comunicador Options** (Opções do comunicador), digite todas as informações relevantes.
  - f. Na guia **Receiver Options** (Opções do receptor), digite todas as informações relevantes.
  - g. Na guia **GPRS Network Options** (Opções de rede GPRS), digite todas as informações relevantes.
  - h. Confirme se todas as informações foram inseridas corretamente antes de enviar. Selecione **Global Download** (Download global).
  - i. Em **Connection Type** (Tipo de conexão), selecione **PC-LINK** e clique em **OK**.
  - j. Saia do software DLS IV, remova a fonte de alimentação e desconecte o comunicador.
5. Desligue o comunicador e insira o cartão SIM no slot. (Consulte **Inserção e remoção do cartão SIM na página 44**).

**NOTA: Você também pode usar o DLS IV para reconfigurar o comunicador de forma remota após a instalação inicial. Para obter mais detalhes, consulte Programação via DLS IV: na página 49 ou o manual do DLS IV.**



## INSTALAÇÃO DO COMUNICADOR GSM/ETHERNET EM GABINETE

Antes de sair do local de instalação, o equipamento deve ser conectado por um dispositivo de interface de rede (NID) APROVADO (aceito pelas autoridades locais). Todo o cabeamento deve ser realizado de acordo com os códigos elétricos locais.

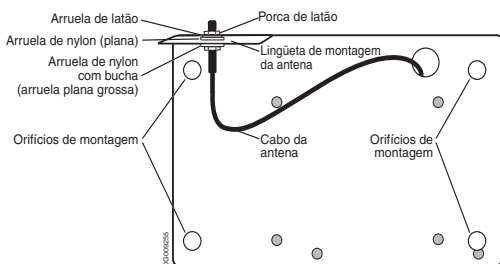
Instalação do comunicador GS2060/TL260GS com o painel PC1616/1832/1864 v4.3+

**NOTA:** Antes de instalar o GS2060/TL260GS ou inserir/remover o cartão SIM, certifique-se de que o sistema esteja DESLIGADO.

1. Para montar o suporte de montagem, execute as etapas a seguir (veja a Figura 1).

- Remova as 4 buchas de plástico brancas do pacote fornecido com o kit do comunicador.
- Insira as 4 buchas na parte traseira do suporte de montagem fornecido, nos orifícios de cada canto. (a guia de montagem da antena deve estar voltada para a direção contrária à sua).
- Coloque o suporte em uma superfície plana e sólida. Segure o comunicador voltado para cima e alinhe os quatro orifícios do comunicador com as quatro buchas que saem do suporte. Empurre o comunicador de forma firme e nivelada contra as buchas até que fique firmemente preso ao suporte de montagem.
- Remova a tampa frontal do painel de alarme.
- Remova e descarte a tampa circular do orifício localizada na parte superior direita do painel. (Esse orifício é usado na conexão da antena de rádio fornecida).

Figura 1 Suporte de montagem do comunicador



- Conecte o cabo de antena de 12,7 cm fornecido ao rádio, passando o conector pelo orifício localizado na parte traseira do suporte de montagem até a placa do comunicador. Empurre o conector da antena com firmeza no soquete no rádio GSM (veja a Figura 3).
- Coloque a arruela de nylon com a bucha (arruela chata espessa) na parte rosqueada do cabo da antena. Insira a seção rosqueada através do orifício de montagem da antena. Coloque a segunda arruela de nylon (chata), seguida da arruela de latão e a rosca de latão, na seção rosqueada do cabo, fora do painel. Aperte o módulo somente com as mãos. Não aperte demais o módulo.

Figura 2 Painel de controle PC1616/1832/1864

2. Para instalar o módulo comunicador no painel. (Veja a Figura 3).

- Conecte uma extremidade do cabo PC-LINK ao conector PC-LINK do painel (o fio vermelho deve ir ao pino 1 do conector PC-LINK do painel).

**NOTA:** Observe que no painel o fio preto fica à direita, enquanto no comunicador isso é o inverso. Veja a Figura 3.

- Insira o comunicador montado no gabinete do painel.

**NOTA:** Certifique-se de que o ponto de conexão rosqueado da antena fique visível pelo orifício vazado do painel.

- Localize o orifício do parafuso na parede do lado direito do painel. Veja a Figura 2 (j). Alinhe o comunicador montado com a parede lateral do painel e, com o parafuso fornecido, fixe o suporte de montagem ao painel.

- Conecte o chicote branco da antena de quatro faixas de frequência fornecido ao ponto de conexão de antena rosqueado no topo do painel.

3. Conecte o comunicador ao painel e faça o seguinte (veja a Figura 3):

**AVISO:** TODAS AS CONEXÕES AO MÓDULO GS2060/TL260GS SÃO DE ALIMENTAÇÃO LIMITADA. NÃO PASSE CABOS SOBRE AS PLACAS DE CIRCUITOS. MANTENHA UMA SEPARAÇÃO MÍNIMA DE 25,4 MM ENTRE A PLACA DE CIRCUITOS E OS CABOS. UMA SEPARAÇÃO MÍNIMA DE 7 MM PODE SER MANTIDA EM TODOS OS PONTOS ENTRE CABOS DE ALIMENTAÇÃO LIMITADA E NÃO LIMITADA.

- Desconecte a alimentação CA e as conexões de bateria do painel.
- Conecte um fio do terminal PWR esquerdo do comunicador ao terminal BELL+ do painel.
- Conecte um fio do terminal GND esquerdo do comunicador ao terminal AUX- do painel.
- Conecte um fio do terminal SHLD esquerdo do comunicador ao terminal EGNB do painel. (conexão de proteção ao terra).
- Se uma campainha/sirene for usada, conecte um fio do terminal PWR direito do comunicador ao terminal positivo (+) da campainha/sirene. (Veja a Figura 3).

- Se uma campainha/sirene for usada, conecte o terminal BELL- do painel ao terminal negativo (-) da campainha/sirene. **NOTA:** Se uma campainha/sirene não for usada, instale o resistor de 1 KΩ ½ W 5% (marrom, preto, vermelho, dourado) (fornecido com o painel) entre os terminais Bell + e Bell - do painel, e depois conecte somente o terminal BELL + ao terminal PWR do comunicador.

- Confirme se o cartão SIM foi inserido e travado. (Consulte Inserção e remoção do cartão SIM na página 44).

- Insira o conector PC-LINK no soquete do comunicador. (Conecte o fio preto no pino 1 do comunicador).

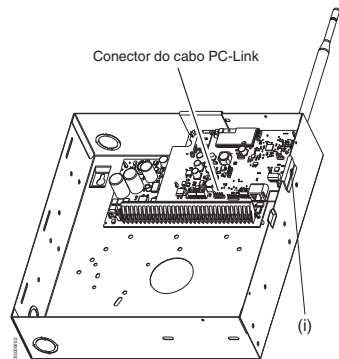
- Passo o cabo Ethernet CAT 5 pela parte traseira do gabinete e conecte-o ao conector RJ45 do comunicador.

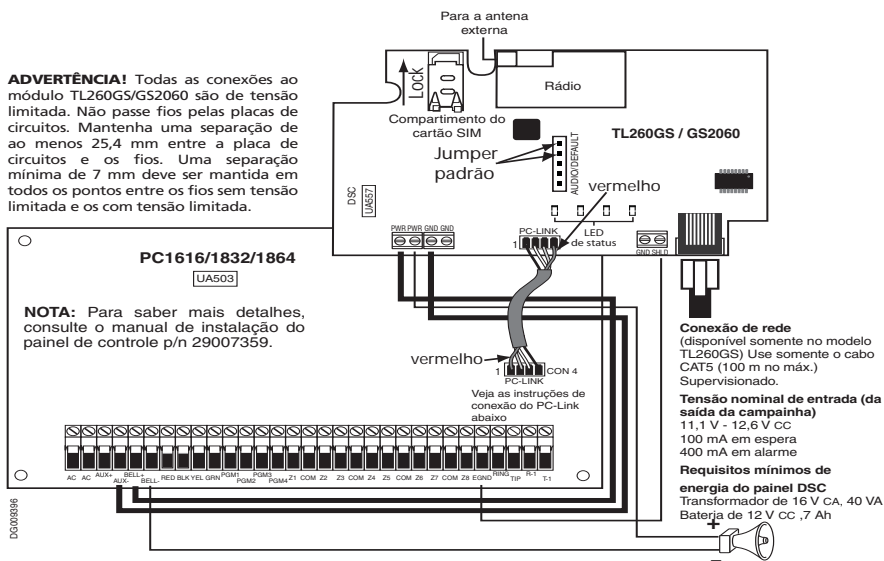
4. Execute as seguintes etapas para ligar o painel pela primeira vez com o comunicador instalado:

- Reconecte a alimentação CA e a bateria ao painel. (o comunicador e o painel serão ligados simultaneamente).
- Observe que os LEDs vermelho e amarelo do comunicador piscam simultaneamente enquanto o equipamento é inicializado. Os LEDs vermelho e amarelo continuarão a piscar até que o equipamento tenha se comunicado com todos os receptores programados.
- No teclado, digite [\*]8[8][código do instalador] [382] e confirme se a opção de alternância [5] está ATIVADA (módulo GPRS/Ethernet habilitado).

**NOTA:** A inicialização pode demorar vários minutos para ser concluída. Os LEDs vermelho e amarelo piscarão simultaneamente durante a inicialização. Não saia da instalação até que os LEDs vermelho e amarelo tenham parado de piscar. (Se somente o LED amarelo estiver piscando, há um problema no comunicador e os LEDs verdes não são válidos para o teste de posicionamento do comunicador). Corrija o problema antes de continuar. (Consulte a Tabela 7 para obter assistência para solucionar os problemas).

5. Execute o Teste de posicionamento do comunicador na página 48.





Execute as etapas a seguir para assegurar que o comunicador e o painel funcionem juntos conforme desejado.

Essas seções devem ser programadas no teclado do painel. Digite [\*][8][código do instalador] [número da seção]. Registre os valores que tiverem suas opções padrão modificadas, nas Planilhas para o painel ou o comunicador.

**NOTA: A alternância é ATIVADA quando o número é exibido. A alternância é DESATIVADA quando o número não é exibido. (ex.: [1---5---], opções de alternância 1 e 5 ATIVADAS, as demais DESATIVADAS). Pressione o número no teclado para ATIVAR/DESATIVAR a alternância.**

- Na seção [167], programe **060** (segundos).
- Nas seções [301], [302] e [303], programe o número de telefone da estação central que será usado pelo comunicador GPRS/Ethernet. As entradas válidas são:
  - Um número de telefone válido; os sinais serão roteados para a estação central usando a rede telefônica pública (PSTN).
  - DCAA** (Receptor 0); os sinais serão roteados para os receptores GPRS/Ethernet 1 - 4 dependendo da programação da seção [006].
  - A seção [301] define o trajeto de comunicação principal e pode ser configurado como roteamento por PSTN ou pelo comunicador. A seção [302] do painel é redundante, e a seção [303] é o número de telefone auxiliar da seção [301].
- Na seção [350], programe o formato de comunicação como Contact ID (03) ou SIA FSK (04).
 

**NOTA: Se qualquer um dos números de telefone do painel tiver sido configurado para DCAA, essa seção deverá ser configurada para [04].**
- Nas seções [351] - [376], programe as opções de direcionamento de chamadas do comunicador. Consulte as opções no Manual de Instalação do painel.
- Na seção [382], certifique-se de que a opção de alternância [5], "GPRS/Ethernet Module Enabled" (Módulo GPRS/Ethernet habilitado) esteja configurada para **ON** (ativada). Se a opção for configurada para OFF (desativada), o LED amarelo de estado indicará "Panel Supervision Trouble" (Problema de supervisão do painel) (2 piscadas) e o equipamento não poderá ser programado pelo cabo PC-LINK.
- Na seção [401], configure a opção de alternância [1] "Downloading Answer Enable" (Habilitar download de resposta) deve ser configurada para **ON** (ativada) para executar a sessão do DLS no painel por meio da rede GPRS ou Ethernet.

**NOTA: Antes de sair do local, o instalador deve verificar todos os trajetos de comunicação programados. Consulte a seção [901] das Planilhas de Programação para enviar uma transmissão de teste imediata.**

**Problemas do comunicador exibidos no painel PC1616/1832/1864 v4.3+**

O problema geral no sistema é o único que aparecerá no LCD do teclado quando detectado por um comunicador instalado em um painel PC1616/1832/1864 v4.3+. Para obter mais informações sobre o problema no módulo comunicador, consulte a memória de eventos do painel. A entrada do registro mostrará a indicação de falha ou restauração para cada evento.

- T-Link Network Fault/Restore** (Falha/restauração da rede T-Link): esse registro ocorrerá para as seguintes condições de problemas: problema de bloqueio do SIM, problema de GSM, problema de Ethernet, ou problema de configuração da conexão 24.
- T-Link Network Fault/Restore** (Falha/restauração do receptor T-Link): esse registro ocorrerá para as seguintes condições de problemas: problema de receptor não disponível, problema de supervisão do receptor ou problema de FTC.
- T-Link Network Fault/Restore** (Falha/restauração da comunicação T-Link): esse registro ocorrerá quando o painel perder a comunicação com o comunicador.

## Instalação do GS2065/TL265GS com o painel PC9155.

**NOTA: O comunicador GS2065 é usado no painel: 9155G e o comunicador TL265GS é usado no painel: PC9155D.**

1. Remova a tampa frontal do painel e a bateria a fonte de alimentação CA e a bateria (remova o conector + (vermelho) da bateria).
2. Segure o módulo comunicador com o conector RJ45 na parte inferior esquerda. Incline o módulo ligeiramente para a direita e alinhe o orifício com a lingueta inferior direita e os encaixes da lateral direita do painel. Pressione o comunicador levemente sobre os encaixes da direita, e depois pressione o lado esquerdo para travá-lo na posição. (Veja a Figura 4).
3. Conecte o conector PC-LINK. Conecte o fio vermelho no pino 5 do painel e do comunicador. (Veja a Figura 5)
4. Conecte o plugue do cabo Ethernet ao conector RJ45 do comunicador. Se um cabo CAT 5 blindado for usado, um jumper deve ser colocado entre as conexões **GND** e **SHLD** do bloco de terminais 2 do comunicador (à esquerda do conector RJ45) para reduzir o ruído.

**NOTA: Não coloque esse jumper se a blindagem do cabo Ethernet for aterrada pelo equipamento na outra extremidade. Não passe os cabos do sistema próximo à antena PCB.**

5. Reconecte a alimentação CA e o conector + da bateria ao painel. (o comunicador e o painel serão ligados simultaneamente).
  - a. Observe que os LEDs vermelho e amarelo do comunicador piscam simultaneamente enquanto o equipamento é inicializado. Os LEDs vermelho e amarelo continuarão a piscar até que o equipamento tenha se comunicado com todos os receptores programados.

**NOTA: A inicialização pode demorar vários minutos para ser concluída. Os LEDs vermelho e amarelo piscarão simultaneamente durante a inicialização. Não saia da instalação até que os LEDs vermelho e amarelo tenham parado de piscar. (Se somente o LED amarelo estiver piscando, há um problema no comunicador e os LEDs verdes não são válidos para o teste de posicionamento do comunicador). Consulte a Tabela 7 para obter assistência para solucionar problemas do comunicador.**

6. Execute o Teste de posicionamento do comunicador na página 48.
7. Estabelecer um canal de comunicação entre o comunicador e o painel é essencial para assegurar a operação desejada dos dois equipamentos. As etapas a seguir devem ser concluídas durante a instalação no local. Programe os parâmetros a seguir no painel para assegurar que o comunicador e o painel funcionarão juntos conforme desejado. As seções do painel devem ser programadas no teclado do painel. Digite **[\*][8][código do instalador][número da seção]** para a programação do painel. Registre os valores que tiverem suas opções padrão modificadas, nas Planilhas de Programação apropriadas para o painel e o comunicador.

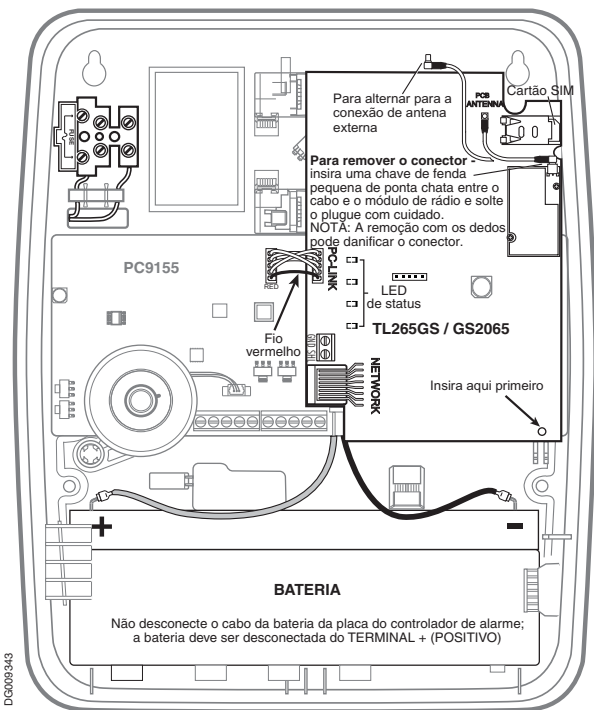
**NOTA: Quando for programar as opções de alternância, a alternância é ATIVADA quando o número é exibido e DESATIVADA quando o número não é exibido. (ex.: [1---5---], opções de alternância 1 e 5 ATIVADAS, as demais DESATIVADAS).**
8. Seção [167] do painel aguarda a comunicação com a interface GPRS/Ethernet para confirmação (ACK): Programe o valor como: **060** (segundos).
9. Quando o comunicador for instalado com o painel PC9155, 4 números de telefone são disponibilizados para auxiliar uns aos outros. Você pode configurar esses 4 números de telefone para funcionar de uma das duas formas: Discagem auxiliar ou discagem alternada.
  - a. Discagem auxiliar: cada um dos 4 números de telefone farão 5 tentativas de discagem por vez, antes de um problema de falha na comunicação (FTC) ser gerado no teclado.
  - b. Discagem alternada: cada número de telefone faz 1 tentativa de discagem antes de passar para o próximo número, alternando entre os 4 números por um total de 5 vezes cada. Se todos os números falharem nas 5 tentativas, um problema de FTC será exibido no teclado.
10. As seções [301], [302], [303] e [305] do painel podem ser configuradas como trajetos principais de comunicação.
  - a. As seções [302], [303] e [305] do painel também podem ser configuradas para comunicação auxiliar ou redundante usando as seções [383] ou [351] a [376] do painel. Consulte o Manual de Instalação do painel PC9155 para obter mais informações.
  - b. Se um número de telefone válido for programado, as comunicações usarão uma rede telefônica pública (PSTN). Inserir um valor hexadecimal de 4 dígitos para um número de telefone mudará o roteamento das chamadas conforme determinado pelo número programado:

**DCAA:** Interno (Todos os receptores). Os sinais serão roteados dependendo da programação do módulo GS/IP  
**DCBB:** Receptor Ethernet 1 (Principal). (Somente TL260GS/TL265GS)  
**DCCC:** Receptor Ethernet 2 (Auxiliar). (Somente TL260GS/TL265GS)  
**DCDD:** Receptor GPRS 1 (Principal).  
**DCEE:** Receptor GPRS 2 (Auxiliar).

**NOTA: Adicione um "F" como sufixo ao número para preencher o restante não usado do campo de 32 caracteres.**

11. Seção [350] do painel: Se qualquer um dos números tiver sido programado como DCAA, DCBB, DCCC, DCDD ou DCEE, a seção [350] do painel deve ser configurada para [04] se o formato SIA for usado ou [03] se o formato Contact ID for usado.
12. Seção [382] do painel: a opção de alternância [5], "GS/IP Module Enabled" (módulo GS/IP habilitado), deve ser configurada para **ON** (ativada). Se a opção for configurada para **OFF** (desativada), o LED amarelo de estado indicará "Panel Supervision Trouble" (Problema de supervisão do painel) (2 piscadas) e o equipamento não poderá ser programado pelo cabo PC-LINK.
13. Seção [401] do painel: a opção de alternância [1] deve ser configurada para **ON** (ativada) para executar a sessão do DLS no painel por meio da rede GPRS ou Ethernet.

Figura 4 Painel de controle PC 9155



DC000343

**NOTA:** Mantenha um registro do número de telefone do cartão SIM, pois ele é necessário para os usuários em funções do SMS interativo. Devido à natureza do processo de ativação do cartão SIM com as operadoras de rede GSM, pode demorar até 24 horas para a ativação do cartão SIM ser concluída.

## Recurso de economia de energia (somente GS2065/TL265)

Os modelos GS2065 e TL265GS possuem um recurso chamado modo de economia de energia. Se houver uma perda da alimentação CA no painel de controle PC9155, o sistema entrará no modo de economia de energia para prolongar a duração da bateria. Durante o modo de economia de energia, a funcionalidade Ethernet é DESATIVADA e será ATIVADA somente quando for necessário transmitir eventos, a sessão do DLS for solicitada via SMS, ou a atualização do firmware for necessária.

- No modo de economia de energia, as conexões DLS de entrada não serão possíveis.
- Sessões SMS de saída iniciadas pelo DLS são possíveis enquanto o equipamento estiver no modo de economia de energia.
- O LED de atividade de conexão no dispositivo de interface da rede também se APAGARÁ quando o equipamento estiver no modo de economia de energia.

## Problemas do comunicador exibidos no painel PC9155

Os seguintes problemas aparecerão no LCD do teclado quando encontrados por um comunicador no painel PC9155. Consulte o Manual de Instalação do PC9155 para obter mais informações.

Figura 5 Diagrama de cabeamento do GS2065/TL265GS

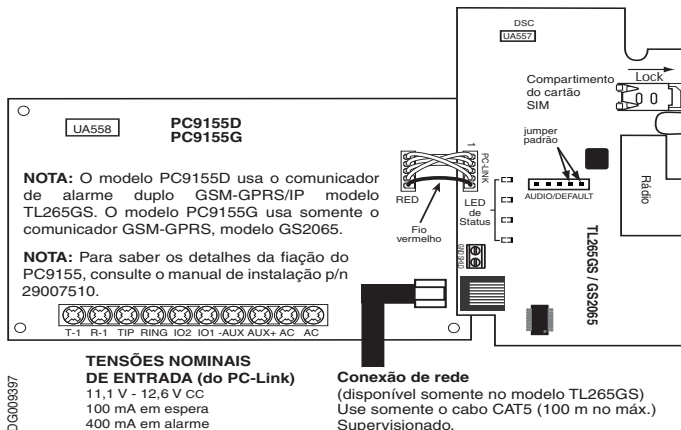


Tabela 3: Problemas do comunicador no painel PC9155

CONDIÇÃO DE PROBLEMA	DESCRIÇÃO	AÇÃO DO USUÁRIO
Problema do comunicador alternativo	Problema de GSM, problema de Ethernet, problema do receptor da estação central, problema de SMS da configuração de supervisão para o módulo GS/IP (se instalado). Pressione < > para verificar os problemas.	Chame a assistência técnica. Para problema de Ethernet, verifique as conexões da rede LAN.

## TESTE DE POSICIONAMENTO DO COMUNICADOR

- Para confirmar se o local do painel/antena é adequado para a operação do rádio, execute este teste de posicionamento do comunicador:
 

**NOTA:** Talvez seja preciso reposicionar o painel ou instalar uma extensão de antena opcional se a intensidade de sinal do rádio estiver muito baixa.

  - Confirme se o LED amarelo do comunicador não está piscando. Um LED amarelo piscante indica um problema no comunicador. (Consulte a Tabela 7 para solucionar o problema e corrigir a causa desse problema antes de prosseguir para a próxima etapa).
  - Observe se a intensidade do sinal de rádio no LED amarelo e os dois LEDs verdes na placa do comunicador atendem ou excedem o requisito de nível de sinal mínimo. Nível de sinal mínimo: O LED amarelo **APAGADO** e o LED verde 1 ■■■ (mais longe do LED amarelo) **ACESO**. (isto é, não piscando) para o local do painel ser aceitável. Consulte a tabela Intensidade de sinal do rádio na página 50 para interpretar a intensidade do sinal GSM nos LEDs.

**NOTA:** Se a intensidade de sinal necessária for muito baixa com o painel em seu local atual, será necessária uma antena externa.

  - Se necessário, os seguintes kits de antenas externas GSM estão disponíveis para o instalador:
    - GS15-ANTQ – Kit de extensão de antena interna de 4,57 m (ideal somente para montagem interna).
    - GS25-ANTQ – Kit de extensão de antena externa de 7,62 m (ideal somente para montagem externa).
    - GS50-ANTQ – Kit de extensão de antena externa de 15,24 m (ideal somente para montagem externa).
 Instruções específicas para a instalação da extensão da antena são fornecidas com o kit. Siga todas as instruções de segurança elétrica relacionadas à instalação da antena. Todo o cabeamento do equipamento deve estar totalmente em conformidade com as regras e regulamentações locais.
- Instale a extensão da antena e execute as seguintes etapas para determinar o melhor local para a colocação da antena:
 

**NOTA:** Siga o procedimento adequado ao painel de controle usado. Se você não for instalar uma antena externa, siga para a etapa 4.

**Gabinete PC1616/1832/1864**

  - Desconecte o chicote branco da antena do gabinete.
  - Conecte uma extremidade do cabo de extensão da antena ao conector rosqueado da antena no painel e a outra extremidade à antena externa.

**Gabinete PC9155**

  - Desligue o painel e remova a tampa frontal.
  - Remova e descarte a tampa circular do orifício localizada no topo do painel.
  - Insira uma chave de fenda de ponta chata pequena entre o cabo da antena e o rádio (veja a Figura 4). Abra o plugue do rádio e remova a outra extremidade do cabo da antena do PCB.

**NOTA:** Remover o cabo da antena usando somente seus dedos pode causar danos ao conector.

  - Seguindo as instruções fornecidas com o kit da antena, instale o kit da antena de extensão opcional no comunicador.
  - Conecte uma extremidade do cabo de extensão da antena ao rádio do comunicador.
  - Recoloque a tampa frontal do painel.
  - Ligue o painel e aguarde até que ele seja inicializado.
- Mova a extensão da antena para vários locais enquanto observa os dois LEDs verdes no painel. Continue a reposicionar a extensão da antena até receber um sinal com intensidade aceitável (no mínimo um LED verde ACESO continuamente).

**NOTA:** A intensidade mínima é: ■■■ LED verde 1 piscando e ■■■ LED amarelo APAGADO. Se o LED verde 1 estiver piscando, considere o reposicionamento.

a. Monte o suporte da extensão da antena fornecido no local que fornece a melhor intensidade de sinal.

4. Alternativamente, você pode reposicionar o painel de controle para melhorar a intensidade de sinal. Desmonte o painel e mova-o para outro local para obter a intensidade de sinal desejada. Se o painel for reposicionado para melhorar a intensidade de sinal, monte-o no novo local.

**NOTA:** Antes de sair do local, o instalador deve verificar todos os trajetos de comunicação programados. Consulte a seção [901] das Planilhas de Programação para saber as configurações das opções de alternância para enviar a transmissão de teste imediatamente aos receptores.

## PROGRAMAÇÃO REMOTA

### Programação via DLS IV:

**NOTA:** Antes da programação, você precisará do endereço IP público da sua rede e da porta de escuta pública para conexões DLS IV de entrada. Você deve enviar uma mensagem SMS para o equipamento e, portanto, deve saber o número de telefone atribuído ao SIM.

1. Execute o software DLS IV em seu computador.

**NOTA:** Se necessário, baixe o software DLS IV da DSC: <http://www.dsc.com/index.php?n=library#self>

2. Crie uma conta para o painel/comunicador, selecione o tipo de comunicador (ex.: SMS - GS2065) e digite todas as informações relevantes na seção "SMS", incluindo o número de telefone GSM do comunicador.
3. Todas as opções disponíveis para o comunicador e o painel podem ser configuradas na conta do DLS IV. Consulte Planilhas de Programação, Peça Número: 29007619R001, para obter informações detalhadas sobre a programação. Além disso, consulte o manual do DLS IV e o arquivo da Ajuda.
4. Quando você terminar a programação da conta, clique em **Global Download** (Download global) e escolha **SMS** como **Connection Type** (Tipo de conexão). Clique em **OK**.
5. O DLS IV irá gerar o texto necessário para a mensagem SMS. Essa mensagem tem o IP público e o número da porta do servidor DLS para permitir que o comunicador conecte-se ao computador. Digite a mensagem SMS em seu telefone celular e envie para o número de telefone GSM do comunicador. Em seguida, clique em **OK**.
6. A mensagem SMS acionará o equipamento para estabelecer uma conexão com seu software DLS IV. A nova programação do comunicador será baixada no equipamento de forma remota via GPRS ou Ethernet/Internet. O trajeto real do download será determinado pelas configurações de comunicação do comunicador na seção [005], opção de alternância [4].

**NOTA:** Você pode desabilitar o DLS via GPRS. Consulte seção [006] opção de alternância [7] das Planilhas de Programação. Se você desabilitar o DLS via GPRS, a programação remota não funcionará em comunicadores GS2065/GS2065, independentemente do trajeto definido na seção [005] opção de alternância [4] das Opções de Programação.

### Programação via Ethernet/Internet:

(Somente TL260GS e TL265GS)

**NOTA:** Um computador com acesso à Internet e o software DLS IV é necessário para a programação.

1. Execute o software DLS IV em seu computador.
2. Com o software de download DLS IV, você pode alterar a programação do comunicador usando a interface gráfica do usuário (GUI) na tela. Consulte o documento Planilhas de Programação, fornecido com o comunicador, para obter informações detalhadas sobre a programação. Além disso, consulte o manual do DLS IV e o arquivo da Ajuda.
3. Em **Account Settings** (Configurações da conta), selecione seu módulo e digite as informações relevantes na seção **Ethernet/Internet**.
4. Após a alteração da programação do comunicador, clique em **Global Download** (Download global) e escolha **Ethernet/Internet** como o tipo de conexão. Clique em **OK**. A conexão inicial entre o equipamento e o DLS IV será estabelecida pela Ethernet/Internet.
5. A nova programação do comunicador será baixada no equipamento de forma remota via GPRS ou Ethernet/Internet. O trajeto real do download será determinado pelas configurações do comunicador na seção [005], opção de alternância [4].

## LEDS DE ESTADO DO COMUNICADOR

O comunicador possui quatro LEDs indicadores integrados. São eles: LED amarelo de problema, LED vermelho do estado de conexão da rede e dois LEDs verdes de intensidade de sinal.

### ▲ LED amarelo de problema

Esse LED amarelo piscará para indicar um problema no equipamento. O número de piscadas indica o tipo de problema. Confira a codificação das piscadas e as condições que ativam o LED de estado de problema na tabela abaixo.

Tabela 4: LED de estado de problema

Nº. DE PISCADAS	PROBLEMA	Nº. DE PISCADAS	PROBLEMA
2	Problema de supervisão do painel	8	Problema de supervisão do receptor
4	Problema de bloqueio	9	Problema de FTC
5	Problema de GSM	11	Programação remota (11 piscadas)
6	Problema de Ethernet	12	Problema de configuração do módulo
7	Problema de receptor não disponível		

**NOTA:** Somente o problema de prioridade mais alta (1 piscada é a prioridade mais alta) é indicado. Quando esse problema é restaurado, o próximo problema de maior prioridade é indicado, se presente. Isso continuará até que todos os problemas sejam eliminados (LED amarelo APAGADO).

Os parágrafos a seguir descrevem as condições associadas ao problema indicado

#### Problema de supervisão do painel (2 piscadas)

Esse problema será indicado quando a comunicação entre o módulo comunicador e o painel de controle falhar. Se por algum motivo o módulo não puder comunicar-se com o painel – ex.: perda de alimentação no painel – o próprio módulo enviará uma mensagem de evento de problema de painel ausente ao receptor da estação central. Quando a comunicação retornar, um evento de restauração de painel ausente é enviada pelo módulo ao receptor da estação central. Seus códigos de relatório são ET0001 para Problema, ER0001 para Restauração. O evento de painel ausente sempre usa o código da conta do receptor principal quando comunicado à estação central.

**NOTA:** O problema/restauração da supervisão do painel é um evento gerado internamente pelo comunicador. É o único evento interno, todos os outros eventos são gerados pelo painel de controle. Gerado se o equipamento perder 3 monitoramentos (PC9155) ou 6 monitoramentos (PC1864 v4.3+). O problema é restaurado após o recebimento do primeiro monitoramento do painel.

#### Problema de bloqueio (4 piscadas)

Esse problema é indicado para uma das seguintes condições: Problema de bloqueio do SIM ou Problema de bloqueio da rede.

a. Problema de bloqueio do SIM

Esse problema significa que o recurso de bloqueio do SIM foi habilitado e o equipamento não foi programado com o PIN correto para o cartão SIM. O problema de bloqueio do cartão SIM equivale ao problema de bloqueio do SIM ou da rede.

b. Problema de bloqueio da rede

Esse problema será indicado quando o recurso de bloqueio da rede for habilitado e o cartão SIM inserido no dispositivo não tiver acesso à rede em que o dispositivo está bloqueado.

#### Problema de GSM (5 piscadas)

Esse problema é indicado para qualquer uma das seguintes condições:

a. **Falha do rádio:** problema indicado após 8 tentativas malsucedidas de comunicação com o rádio.

b. **Falha do SIM:** problema indicado após comandos +CPIN malsucedidos.

c. **Problema na rede GSM:** problema indicado pela perda do registro no provedor de rede. (3 falhas consecutivas de inicialização ou atualização, falha ao conectar a um APN, falha ao abrir um soquete, número total de erros em comando cíclico = 20 ou recebimento de um MSDI (1/2), (7/8/14)). O problema será eliminado depois que a inicialização e os comandos cíclicos forem bem-sucedidos, assim como os comandos MIPCALL e MIPOEN.

d. **Intensidade de sinal insuficiente:** O problema é indicado se a intensidade de sinal média calculada for muito baixa. (dois LEDs verdes APAGADOS). O problema será eliminado quando a intensidade de sinal média calculada estiver acima do requisito mínimo.

#### Problema de Ethernet (6 piscadas)

Esse problema é indicado quando a conexão Ethernet entre o transmissor e o hub ou roteador local estiver ausente. Esse problema também será indicado se o equipamento não obtiver as configurações de DHCP do servidor DHCP. (inativo se os receptores Ethernet não estiverem programados).

#### Receptor não disponível (7 piscadas)

Esse problema é indicado se o equipamento não puder inicializar com sucesso qualquer receptor programado. Os receptores não programados são excluídos. Esse problema também é indicado se os APNs do receptor não tiverem sido programados.

#### Problema de supervisão do receptor (8 piscadas)

Esse problema é indicado quando a supervisão do receptor é habilitada e a comunicação entre o módulo comunicador e o receptor falha. O problema é indicado se Ethernet 1 for supervisionado e não receber uma pulsação do receptor ou o GPRS for supervisionado e o equipamento não receber uma confirmação de 4 pulsações enviadas ao receptor.

#### Problema de FTC (9 piscadas)

Esse problema é indicado quando o equipamento não conseguir comunicar eventos do módulo à estação central. O problema é exibido depois que a unidade esgotar todas as tentativas de comunicação de todos os eventos gerados pelo comunicador aos receptores programados.

#### Programação remota (11 piscadas)

Esse problema é indicado durante uma atualização remota do firmware ou durante a programação remota do DLS. Indica que uma atualização remota do firmware está em andamento via GPRS/Ethernet. O problema será eliminado automaticamente quando uma atualização da sessão de programação do DLS for concluída com sucesso.

#### Problema de configuração do módulo (12 piscadas)

Esse problema é indicado quando o código da conta do sistema ou a conta do receptor não forem programados. Os receptores desabilitados são excluídos.

### LED vermelho do estado de conexão da rede

PISCANDO: Indica comunicações em andamento.

- Uma vez rapidamente para transmissões de saída via Ethernet.
- Duas vezes rapidamente para indicar confirmação/não confirmação de entrada via Ethernet.
- Lentamente para chamada de voz recebida ou efetuada.

**APAGADO:** Esse é o estado normal do LED vermelho de estado da conexão de rede. Não há problemas de conexão de rede.

**ACESO:** Há um problema na conexão da rede Ethernet ou GPRS. LED ficará ACESO quando o seguinte ocorrer:

- Cabo Ethernet não conectado.
- Tempo de configuração do DHCP excedido.
- O equipamento não consegue obter o endereço IP da rede GPRS.
- A conexão do GPRS é restaurada.

 (LED verde 1),  (LED verde 2) e  (LED amarelo) – Intensidade de sinal

**NOTA:** Se o LED amarelo estiver piscando, a intensidade de sinal indicada na tabela abaixo não é válida. Consulte a Tabela 7 para a resolução de problemas.

Tabela 5: Intensidade de sinal do rádio

INTENSIDADE DO SINAL	NÍVEL CSQ	LED AMA-RELO	LED VERDE 2	LED VERDE 1	NÍVEL DO SINAL	AÇÃO NECESSÁRIA
Sem sinal	0	ACESO	APAGADO	APAGADO	-108.8 dBm	Verifique as conexões da antena. Confirme se o serviço GSM está ativo. Reposicione o painel ou instale uma antena externa.
1 barra	1 - 4	ACESO	APAGADO	Piscando	-108 dBm ~ -103 dBm	Reposicione o painel ou instale uma antena externa.
2 barras	5 - 6	APAGADO	APAGADO	Piscando	-102 dBm ~ -99 dBm	Se possível, reposicione o painel ou instale a antena externa.
3 barras	7 - 10	APAGADO	APAGADO	ACESO	-98 dBm to -91 dBm	Localização do painel aceitável para o nível de sinal GSM.
4 barras	11-13	APAGADO	Piscando	ACESO	-90 dBm to -85 dBm	Localização do painel aceitável para o nível de sinal GSM.
5 barras	14 +	APAGADO	ACESO	ACESO	-84 dBm me mais	Localização do painel aceitável para o nível de sinal GSM

**NOTA:** O comunicador indicará problema de GSM (LED amarelo = pisca 5 vezes) se o nível médio de CSQ for 5 ou menos.

#### LEDs de atividade da rede (vermelho e verde)

- **Atividade da Ethernet:** o LED vermelho piscará rapidamente uma vez para a transmissão via Ethernet ou duas vezes para recepção via Ethernet.
- **Atividade do GPRS:** o LED verde 2 piscará rapidamente uma vez para a transmissão via GPRS ou duas vezes para recepção via GPRS.
- **Atividade de SMS:** o LED verde 2 piscará rapidamente uma vez para a transmissão de SMS ou duas vezes para recepção de SMS.

## RESTAURAÇÃO/ATUALIZAÇÃO DO COMUNICADOR/USO DE DADOS DA REDE

### Restauração dos padrões de fábrica

Você pode restaurar as configurações de fábrica das opções de programação do comunicador instalando o jumper de hardware. Execute as seguintes etapas para restaurar o comunicador:

**NOTA: Dois pinos exigem um jumper para poder restaurar os valores de hardware.**

1. Remova a tampa frontal do painel.
2. Localize o conector de cinco pinos AUDIO/DEFAULT no meio da placa do comunicador. Nos painéis PC1616/1832/1864 v4.3+, os pinos 4 e 5 encontram-se na parte superior (Veja a **Figura 3**). No painel PC9155, os pinos 4 e 5 à direita (Veja a **Figura 5**).
3. Aplique um jumper para provocar um curto nos pinos 4 e 5 padrão do hardware.
4. Remova todas as fontes de alimentação do painel e aplique a alimentação ao painel. Aguarde até que os dois LEDs verdes do comunicador comecem a piscar rapidamente. (Os LEDs verdes continuarão a piscar enquanto o jumper de hardware estiver conectado).
5. Remova o jumper dos pinos 4 e 5 padrão do hardware. (Os LEDs verdes param de piscar).

**NOTA: Feito isso, os valores padrão de fábrica do comunicador estarão restaurados.**

### Atualização do firmware

O firmware do dispositivo pode ser atualizado via GPRS ou Ethernet. (Atualização remota ou local).

- Quando a atualização do firmware começa, todos os LEDs se ACENDEM.
- Durante o processo de atualização do firmware, os LEDs serão alternados individualmente em um padrão de acompanhamento.
- Após a atualização bem-sucedida, o equipamento será reiniciado automaticamente.
- Se a atualização falhar, todos os 4 LEDs piscarão e se apagarão ao mesmo tempo em intervalos de 1 segundo.
- Se a atualização do firmware falhar, reinicie o equipamento. Em caso de falhas consistentes de atualização, entre em contato com seu revendedor.

### Uso de dados da rede

Tabela 6: Uso de dados da rede

TIPO DE PACOTE	DIREÇÃO	BYTES	TIPO DE PACOTE	DIREÇÃO	BYTES
Init	Comunicador ao receptor	101 Bytes	Contact ID ACK	Receptor ao comunicador	49 Bytes
Init ACK	Receptor ao comunicador	74 Bytes	Heartbeat 1	Comunicador ao receptor	101 Bytes
SIA -Single Event	Comunicador ao receptor	124 Bytes	Heartbeat 1 ACK	Receptor ao comunicador	74 Bytes
SIA -6 Events	Comunicador ao receptor	149 Bytes	Heartbeat 2	Comunicador ao receptor	60 Bytes
SIA ACK	Receptor ao comunicador	77 Bytes	Heartbeat 2 ACK	Receptor ao comunicador	60 Bytes
Contact ID Event	Comunicador ao receptor	70 Bytes	Criptografia e supervisão habilitadas	Ambas as direções	149 Bytes

**NOTA: Com criptografia e supervisão ativas, todos os pacotes são de 149 bytes.**



## APÊNDICE A: RESOLUÇÃO DE PROBLEMAS DO COMUNICADOR

**Tabela 7: Indicações de problemas por LED**

INDICAÇÃO DE PROBLEMA	PROBLEMA/CAUSAS POSSÍVEIS	POSSÍVEL SOLUÇÃO PARA O PROBLEMA
Todos os 4 LEDs APAGADOS	Sem alimentação	<ul style="list-style-type: none"> <li>• Verifique as conexões de alimentação do painel de controle e do módulo comunicador. Confirme se o cabo PC-LINK está devidamente conectado.</li> </ul>
	Modo de economia de energia (Somente GS2065/TL265GS)	<ul style="list-style-type: none"> <li>• O painel de controle pode estar no modo de economia de energia (no modo de economia de energia, os indicadores verdes ainda indicam comunicações de entrada e saída). A luz de estado amarela também continua a funcionar no modo de economia de energia.</li> <li>• Verifique a fonte CA conectada ao painel de controle.</li> </ul>
	Modo de apagamento do teclado (Somente GS2065/TL265GS)	<ul style="list-style-type: none"> <li>• O painel de controle pode estar no modo de apagamento do teclado. Pressione uma tecla no teclado para remover o apagamento momentaneamente.</li> </ul>
LED amarelo – ACESO contínuo	Intensidade de sinal insuficiente	<ul style="list-style-type: none"> <li>• Certifique-se de que a antena está conectada ao rádio com firmeza. Verifique a conexão do cabo ao rádio.</li> <li>• Se uma antena chicote for usada, verifique se ela está bem aparafusada no conector do cabo da antena e internamente conectada ao rádio.</li> <li>• Confirme se o serviço de rede GSM está ativo em sua região.</li> </ul>
LED de problema – Pisca 2 vezes	Problema de supervisão do painel	<ul style="list-style-type: none"> <li>• Verifique se a opção [382] do painel, opção de alternância [5], está ajustada em ON (módulo GPRS/Ethernet habilitado).</li> <li>• Verifique se o cabo PC-Link entre o painel de controle e o comunicador está conectado corretamente (não invertido) e seguro no lugar.</li> </ul>
LED amarelo – Pisca 4 vezes	Problema de bloqueio	<ul style="list-style-type: none"> <li>• O cartão SIM tem um PIN incorreto programado ou que não é reconhecido pelo módulo. Tente um cartão SIM diferente.</li> <li>• O módulo foi bloqueado para a rede de uma operadora específica e você está tentando usar o dispositivo em uma rede não suportada. Use o dispositivo na rede em que ele deve ser usado.</li> </ul>
LED amarelo – Pisca 5 vezes	Problema de GSM	<ul style="list-style-type: none"> <li>• Confirme se o serviço GSM está disponível e ativo em sua região.</li> <li>• Verifique as conexões da antena.</li> <li>• Verifique se há uma intensidade de sinal de rádio adequada. (Consulte Tabela 5).</li> <li>• Verifique se o cartão SIM está devidamente inserido no compartimento de cartão SIM.</li> <li>• Verifique se o cartão SIM foi ativado.</li> <li>• Se esse problema persistir, você deve reposicionar o comunicador ou instalar um kit de extensão de antena externa.</li> </ul>
LED amarelo – Pisca 6 vezes	Problema de Ethernet	<ul style="list-style-type: none"> <li>• Consulte seu ISP para confirmar se o serviço de rede está ativo em sua região.</li> <li>• Verifique se o cabo Ethernet está devidamente inserido no conector RJ45 do comunicador e do hub/roteador/switch.</li> <li>• Verifique se a luz de conexão do hub está ACESA. Se a luz de conexão estiver APAGADA, tente reiniciar o HUB. Se o problema persistir, substitua o cabo Ethernet.</li> <li>• Se o DHCP for usado, verifique se o equipamento possui um endereço IP atribuído pelo servidor. Na seção [851] [992] do painel, verifique se um endereço IP válido foi programado. Se não foi programado, entre em contato com o administrador da rede.</li> </ul>
LED amarelo – Pisca 7 vezes	Receptor não disponível	<ul style="list-style-type: none"> <li>• Verifique se o trajeto da Ethernet tem conectividade com a Internet.</li> <li>• Confirme se o SIM não possui um APN personalizado. O equipamento não permite a conexão à Internet com APNs personalizados.</li> <li>• Se você estiver usando um endereço IP estático, verifique se o gateway e a máscara de subrede foram especificados corretamente.</li> <li>• Se a rede possui um firewall, verifique se a rede tem as portas de saída programadas abertas (porta UDP 3060 padrão e porta 3065).</li> <li>• Certifique-se de que todos os receptores estejam programados para DHCP ou tenham o endereço IP e número de porta adequados.</li> <li>• Certifique-se de que os APNs do receptor GPRS tenham sido programados com o nome do ponto de acesso fornecido pelo provedor de GSM.</li> </ul>
LED amarelo – Pisca 8 vezes	Problema de supervisão do receptor	<ul style="list-style-type: none"> <li>• Esse problema é indicado quando a supervisão é habilitada e o equipamento não pode comunicar-se com o receptor com sucesso.</li> <li>• Se esse problema persistir, entre em contato com a estação central.</li> </ul>
LED amarelo – Pisca 9 vezes	Problema de FTC	<ul style="list-style-type: none"> <li>• O equipamento esgotou todas as tentativas de comunicação de todos os eventos gerados pelo comunicador ao receptor programado.</li> <li>• Reinicie o sistema. Se o problema persistir, entre em contato com seu revendedor.</li> </ul>
LED amarelo – Pisca 11 vezes	Programação remota	<ul style="list-style-type: none"> <li>• Os LEDs piscarão quando uma atualização remota do firmware estiver em andamento pela Ethernet ou GPRS. Os LEDs se apagarão quando a atualização for concluída.</li> <li>• Os LEDs piscarão para indicar uma sessão de programação DLS remota ativa pela Ethernet ou GPRS. Os LEDs se apagarão quando a sessão DLS for encerrada com sucesso.</li> </ul>
LED amarelo – Pisca 12 vezes	Problema de configuração do módulo	<ul style="list-style-type: none"> <li>• Essa indicação aparece quando a seção [021], código da conta do sistema, ou as seções [101], [111], [201] e [211], código da conta do receptor, não foram programadas. Certifique-se de que um código de conta válido seja especificado nessas seções.</li> </ul>
Todos os LEDs piscando ao mesmo tempo	Falha do carregador de inicialização	<ul style="list-style-type: none"> <li>• Desconecte e reconecte a fonte de alimentação do módulo comunicador.</li> </ul>
LEDs vermelho e amarelo piscando ao mesmo tempo	Sequência de inicialização	<ul style="list-style-type: none"> <li>• O equipamento ainda está inicializando. Aguarde enquanto o equipamento estabiliza uma conexão com todos os receptores programados. Observe que esse processo pode demorar vários minutos.</li> </ul>
LEDs verdes piscando rapidamente	Jumper padrão de hardware	<ul style="list-style-type: none"> <li>• O jumper padrão do hardware deve ser removido. Veja Figura 3 e Figura 5.</li> </ul>



## IMPORTANTE LEIA COM ATENÇÃO:

### O software DSC, adquirido com ou sem Produtos e Componentes, respeita leis de direitos de autor e é comprado com a aceitação dos seguintes termos de licenciamento:

- "O Contrato de Licença de Utilizador Final (CLUF) (End User License Agreement ("EULA")) é um acordo legal entre V. Exa. (empresa, indivíduo ou entidade que adquira o Software ou qualquer Hardware relacionado) e a Digital Security Controls, uma divisão da Tyco Safety Products Canada Ltd. ("DSC"), o fabricante dos sistemas de segurança integrados e o programador do software e quaisquer produtos ou componentes relacionados ("HARDWARE") que V. Exa. adquiriu.
- Se for suposto o software do produto DSC ("PROGRAMA") ou "SOFTWARE" vir acompanhado de HARDWARE, e se verificar que NÃO vem acompanhado de novo HARDWARE, V. Exa. não poderá utilizar, copiar ou instalar o PROGRAMA. O PROGRAMA inclui o software, e poderá incluir meios associados, materiais impressos e documentação electrónica ou disponível "online".
- Qualquer software fornecido com o PROGRAMA que esteja associado a um contrato de licença de utilizador final em separado está licenciado a V. Exa. nos termos desse mesmo contrato de licença.
- Ao instalar, copiar, descarregar, armazenar, aceder, ou outro, utilizando o PROGRAMA, V. Exa. concorda incondicionalmente em respeitar os termos deste CLUF (EULA), mesmo que o CLUF (EULA) seja considerado como uma modificação de quaisquer acordos ou contratos prévios. Se V. Exa. não concordar com os termos deste CLUF (EULA) a DSC não irá licenciar o PROGRAMA a V. Exa., e V. Exa. não terá direito à sua utilização.

#### LICENÇA DO PROGRAMA

O PROGRAMA está protegido por leis de direitos de autor e tratados internacionais de direitos de autor, bem como por outros tratados e leis de propriedade intelectual. O PROGRAMA é licenciado, não vendido.

#### 1. CONCESSÃO DA LICENÇA. Este CLUF (EULA), concede a V. Exa. os seguintes direitos:

- (a) Instalação e Uso do Software - Para cada licença que V. Exa. adquira, apenas poderá ter uma cópia do PROGRAMA instalada.
- (b) Armazenamento/uso em Rede - O PROGRAMA não pode ser instalado, accedido, apresentado, executado, partilhado ou utilizado de forma concomitante em ou a partir de diferentes computadores. Incluindo estações de trabalho, terminais ou outros dispositivos electrónicos digitais ("Dispositivo"). Por outras palavras, se V. Exa. tem várias estações de trabalho, terá de adquirir uma licença para cada estação de trabalho onde o SOFTWARE vai ser utilizado.
- (c) Cópia de Segurança - V. Exa. poderá efectuar cópias de segurança do PROGRAMA, mas poderá apenas ter uma cópia por cada licença instalada numa determinada altura. V. Exa. apenas poderá utilizar a cópia de segurança para efeitos de arquivo. Excepto quando expressamente mencionado neste CLUF (EULA), V. Exa. não poderá efectuar cópias do PROGRAMA, incluindo os materiais impressos que acompanham o SOFTWARE.

#### 2. DESCRIÇÃO DE OUTROS DIREITOS E LIMITAÇÕES.

- (a) Limitações sobre Engenharia Inversa, Descompilação e Desmontagem - V. Exa. não poderá fazer engenharia inversa, descompilação ou desmontagem do PROGRAMA, excepção feita à actividade cuja extensão é permitida por lei aplicável, sem oposição a esta limitação. V. Exa. não poderá efectuar alterações ou modificações ao Software, sem a autorização escrita por parte de um responsável da DSC. V. Exa. não poderá remover notas de propriedade, marcas ou etiquetas do Programa. V. Exa. irá instituir medidas responsáveis para que possa garantir a conformidade com os termos e condições deste CLUF (EULA).
- (b) Separação de Componentes - O PROGRAMA é licenciado como um produto único. As partes que o constituem não podem ser separadas para utilização em mais do que uma unidade de HARDWARE.
- (c) PRODUTO ÚNICO INTEGRADO - Se V. Exa. adquiriu este SOFTWARE com HARDWARE, então o PROGRAMA é licenciado com o HARDWARE como um produto único integrado. Neste caso, o PROGRAMA só pode ser utilizado com o HARDWARE, como determinado neste CLUF (EULA).
- (d) Alugar - V. Exa. não poderá alugar, ceder ou emprestar o PROGRAMA. V. Exa. não poderá disponibilizá-lo a outros ou colocá-lo num servidor ou página Web.
- (e) Transferência do Programa - V. Exa. poderá transferir todos os seus direitos abrangidos por este CLUF (EULA) apenas como parte de uma venda ou transferência permanente do HARDWARE, desde que V. Exa. não fique com quaisquer cópias, transfira todo o PROGRAMA (incluindo todos os componentes, meios e materiais impressos, quaisquer upgrades e este CLUF (EULA)), desde que o receptor concorde com os termos deste CLUF (EULA). Se o PROGRAMA for um upgrade, qualquer transferência deverá incluir todas as versões anteriores do PROGRAMA.
- (f) Extinção - Sem prejuízo a quaisquer outros direitos, a DSC pode terminar este CLUF (EULA) se V. Exa. falhar no cumprimento dos termos e condições deste CLUF (EULA). Se tal acontecer, V. Exa. deverá destruir todas as cópias do PROGRAMA e todos os seus componentes.

- (g) Marcas Registradas - Este CLUF (EULA) não concede a V. Exa. quaisquer direitos em relação a quaisquer marcas registradas ou de serviço da DSC ou seus fornecedores.

#### 3. DIREITOS DE AUTOR.

Todos os títulos e direitos de propriedade intelectual não e para o PROGRAMA (incluindo, mas não limitando, quaisquer imagens, fotografias e texto incorporado no PROGRAMA), os materiais impressos que o acompanham ou quaisquer cópias do PROGRAMA, são propriedade da DSC ou dos seus fornecedores. V. Exa. não poderá copiar os materiais impressos que acompanham o PROGRAMA. Todos os títulos e direitos de propriedade intelectual não e para o conteúdo que poderá vir a ser accedido através do uso do PROGRAMA são propriedade dos respectivos proprietários do conteúdo e poderão ser protegidos por direitos de autor aplicáveis ou outros tratados e leis de propriedade intelectual. Este CLUF (EULA) não confere a V. Exa. quaisquer direitos sobre o uso desses conteúdos. A DSC e os seus fornecedores reservam todos os direitos não expressos ao abrigo deste CLUF (EULA).

#### 4. RESTRIÇÕES À EXPORTAÇÃO.

V. Exa. assume que não exportará ou reexportará o PROGRAMA para qualquer país, indivíduo ou entidade sujeita a restrições de exportação Canadianas.

#### 5. LEGISLAÇÃO APLICÁVEL: Este Acordo de Licença de Software é regido pelas leis da Província de Ontário, Canada.

#### 6. ARBITRAGEM - Todos os conflitos emergentes da relação com este Acordo serão determinados por arbitragem final e mandatória ao abrigo do Arbitration Act, ficando as partes sujeitas à decisão arbitral. O local designado para a arbitragem será Toronto, no Canada, e a língua utilizada na arbitragem será o Inglês.

#### 7. LIMITES DE GARANTIA

##### (a) ISENÇÃO DE GARANTIA

A DSC FORNECE O SOFTWARE "TAL COMO ESTÁ" SEM GARANTIA. A DSC NÃO GARANTE QUE O SOFTWARE IRÁ AO ENCONTRO DOS SEUS REQUISITOS OU QUE O FUNCIONAMENTO DO SOFTWARE SEJA ININTERRUPTO OU LIVRE DE ERROS.

##### (b) ALTERAÇÕES AO AMBIENTE OPERATIVO

A DSC não se responsabiliza por problemas causados por alterações às características operativas do HARDWARE, ou por problemas na interação do PROGRAMA com SOFTWARE ou HARDWARE não produzido pela DSC.

##### (c) LIMITAÇÕES DE RESPONSABILIDADE; A GARANTIA REFLECTE A ALOCAÇÃO DE RISCO

EM QUALQUER CASO, SE ALGUM ESTATUTO IMPLICAR GARANTIAS OU CONDIÇÕES NÃO MENCIONADAS NESTE ACORDO DE LICENÇA, A RESPONSABILIDADE TOTAL DA DSC NÃO SERÁ SUPERIOR AO VALOR EFECTIVAMENTE PAGO POR V. Exa. PELA LICENÇA DESTA PROGRAMA E CINCO DOLARES CANADIANOS (CAD\$5.00). PORQUE ALGUMAS JURISDIÇÕES NÃO PERMITEM A EXCLUSÃO OU LIMITAÇÃO DE RESPONSABILIDADE PARA DANOS CONSEQUENTES OU ACIDENTAIS, A LIMITAÇÃO ACIMA INDICADA PODERÁ NÃO SE APLICAR A V. Exa.

(d) ISENÇÃO DE GARANTIAS - ESTA GARANTIA CONTEM A GARANTIA COMPLETA E DEVERÁ PREVALECER SOBRE TODA E QUALQUER GARANTIA, EXPRESSA OU IMPLÍCITA (INCLUINDO TODAS AS GARANTIAS DE COMERCIALIZAÇÃO OU ADAPTAÇÃO PARA UM DETERMINADO FIM.) E A TODAS AS OUTRAS OBRIGAÇÕES OU RESPONSABILIDADES POR PARTE DA DSC. A DSC NÃO DÁ QUAISQUER OUTRAS GARANTIAS. A DSC NÃO ASSUME NEM AUTORIZA QUALQUER OUTRA PESSOA A AGIR EM SEU NOME NA MODIFICAÇÃO DESTA GARANTIA. NEM PARA QUE POSSA ASSUMIR POR SI (DSC) QUALQUER OUTRA GARANTIA OU RESPONSABILIDADE RELACIONADA COM ESTE PROGRAMA.

##### (e) DIREITOS EXCLUSIVOS E LIMITAÇÃO DE GARANTIA

EM NENHUMA CIRCUNSTÂNCIA SERÁ A DSC RESPONSABILIZADA POR QUAISQUER DANOS ESPECIAIS, ACIDENTAIS, CONSEQUENTES OU INDIRECTOS RESULTANTES DE FALHAS NA GARANTIA, FALHAS NO CONTRATO, NEGLIGÊNCIA, RESPONSABILIDADE OBJECTIVA, OU QUAISQUER OUTRAS TEORIAS LEGAIS. TAIS DANOS INCLUEM, MAS NÃO LIMITAM, PERDA DE LUCROS, PERDA DO PROGRAMA OU EQUIPAMENTO ASSOCIADO, CUSTO DE CAPITAL, CUSTOS COM EQUIPAMENTO DE SUBSTITUIÇÃO, INSTALAÇÕES OU SERVIÇOS, TEMPO MORTO, TEMPO DE COMPRA, EXIGÊNCIAS DE TERCEIROS, INCLUINDO CLIENTES, E PREJUÍZO SOBRE A PROPRIEDADE.

ATENÇÃO: A DSC recomenda que todo o sistema seja completamente testado numa base de regularidade. Contudo, e apesar da testagem frequente, e devido a, mas não limitando, comportamento criminoso ou falha eléctrica, é possível que este PROGRAMA possa não funcionar como é esperado.

## Garantia Limitada

A Digital Security Controls garante ao comprador original que, por um período de doze meses a partir da data de compra, o produto deverá estar livre de defeitos de materiais e de mão-de-obra sob utilização normal. Durante o período de garantia, a Digital Security Controls irá, por opção sua, reparar ou substituir qualquer produto defeituoso mediante devolução do produto à sua fábrica, sem nenhum custo de mão-de-obra e materiais. Qualquer substituição e/ou partes reparadas são garantidas pelo tempo remanescente da garantia original ou noventa (90) dias, qual durar mais. O proprietário original deve notificar prontamente a Digital Security Controls, por escrito, que há defeito no material ou na mão-de-obra; tal notificação escrita deverá ser recebida, em todos os eventos, antes da expiração do período de garantia.

### **Garantia Internacional**

A garantia para clientes internacionais é a mesma para qualquer cliente dentro do Canadá e dos Estados Unidos, com a exceção que a Digital Security Controls não deverá ser responsável por quaisquer despesas de clientes, taxas ou VAT que possam ser devidas.

### **Procedimento de Garantia**

Para obter serviço sob esta garantia, favor devolver o(s) item(ns) em questão ao ponto de venda. Todos os distribuidores e revendedores autorizados têm um programa de garantia. Qualquer pessoa que devolve bens à Digital Security Controls deve, primeiro, obter um número de autorização. A Digital Security Controls não aceitará nenhuma remessa que não tenha tido uma autorização prévia.

### **Condições que Invalidam a Garantia**

Esta garantia aplica-se somente aos defeitos em partes e de mão-de-obra relativas à utilização normal. Ela não cobre:

- danos decorrentes de transporte ou manuseio;
- danos causados por desastre, tais como incêndio, inundações, ventos, terremotos ou relâmpagos;
- danos devido a causas fora do controle da Digital Security Controls, tais como tensão excessiva, choque mecânico ou danos com água;
- danos causados por adaptações, alterações, modificações não-autorizadas ou objetos estranhos;
- danos causados por periféricos (a menos que tais periféricos sejam fornecidos pela Digital Security Controls);
- defeitos causados por falha em proporcionar um ambiente adequado de instalação para os produtos;
- danos causados por uso de produtos para objetivos diferentes daqueles para os quais ele foi projetado;
- danos por manutenção inapropriada;
- danos que surgem de qualquer outro abuso, mau trato ou aplicação indevida dos produtos.

A responsabilidade da Digital Security Controls por falha em reparar o produto sob esta garantia após um número razoável de tentativas será limitada a uma substituição do produto, como a única solução por violação da garantia. Sob circunstância alguma a Digital Security Controls será responsável por quaisquer danos especiais, incidentais ou consequenciais baseados na violação da garantia, violação do contrato, negligência, responsabilidade estrita ou qualquer outra teoria legal. Tais danos incluem, mas não são limitados a, perda de proveitos, perda do produto ou de qualquer equipamento associado, custo de capital, custo do equipamento substituído, recursos ou serviços, tempo parado, tempo do comprador, reclamações de terceiros, incluindo clientes, e prejuízos à propriedade.

### **Renúncia das Garantias**

Esta garantia contém a garantia completa e deverá estar no lugar de quaisquer e todas as outras garantias, expressas ou implícitas (incluindo todas as garantias implícitas de comerciabilidade ou adequação a um objetivo em especial), e de todas as outras obrigações ou responsabilidades por parte da Digital Security Controls. A Digital Security Controls não assume nenhuma responsabilidade nem autoriza qualquer outra pessoa que pretenda agir em seu nome para modificar ou alterar esta garantia, nem para assumir por ela qualquer outra garantia ou responsabilidade referente a este produto. Esta renúncia das garantias e garantia limitada são controladas pelas leis da província de Ontário, Canadá.

AVISO: A Digital Security Controls recomenda que o sistema inteiro seja completamente testado regularmente. No entanto, apesar do teste frequente e devido, mas não limitado a, violação criminal ou interrupção elétrica, é possível que este produto falhe ao realizar o planejado.

### **Bloqueio do Instalador**

Quaisquer produtos devolvidos à DSC, que tiver a opção de Bloqueio do Instalador habilitada e não exibir nenhum outro problema, estarão sujeitos a um custo de serviço.

### **Fora das Reparações de Garantia**

A Digital Security Controls irá, por opção sua, reparar ou substituir os produtos fora de garantia, os quais forem devolvidos à sua fábrica, de acordo com as seguintes condições. Qualquer pessoa que devolve bens à Digital Security Controls deve, primeiro, obter um número de autorização. A Digital Security Controls não aceitará nenhuma remessa que não tenha tido uma autorização prévia.

Os produtos que a Digital Security Controls determina como sendo reparáveis, serão reparados e devolvidos. Uma taxa estabelecida, a qual a Digital Security Controls predeterminou e que pode ser revisada de tempos em tempos, será cobrada para cada unidade reparada.

Os produtos que a Digital Security Controls determina como não sendo reparáveis, serão substituídos pelo produto equivalente mais próximo disponível naquele momento. O preço de mercado atual do produto de substituição será cobrado para cada unidade de substituição.



## FCC Compliance Statement

**CAUTION: Changes or modifications not expressly approved by the manufacturer could void your authority to use this equipment.**

This equipment has been tested and found to comply with the limits for a Class B digital device, pursuant to Part 15 of the FCC Rules. These limits are designed to provide reasonable protection against harmful interference in a residential installation. This equipment generates, uses and can radiate radio frequency energy and, if not installed and used in accordance with the instructions, may cause harmful interference to radio communications. However, there is no guarantee that interference will not occur in a particular installation. If this equipment does cause harmful interference to radio or television reception, which can be determined by turning the equipment off and on, the user is encouraged to try to correct the interference by one or more of the following measures:

- Re-orient the receiving antenna.
- Increase the separation between the equipment and receiver.
- Connect the equipment into an outlet on a circuit different from that to which the receiver is connected.
- Consult the dealer or an experienced radio/television technician for help.

The user may find the following booklet prepared by the FCC useful: 'How to Identify and Resolve Radio/Television Interference Problems'. This booklet is available from the U.S. Government Printing Office, Washington D.C. 20402, Stock # 004-000-00345-4.

Warning: To satisfy FCC RF exposure requirements for mobile transmitting devices, a separation distance of 20cm or more must be maintained between the antenna of this device and persons during device operation.

## Industry Canada Statement

The prefix 'IC:' in front of the radio certification number signifies only that Industry Canada technical specifications were met.

Certification Number IC: 160A-GS260L

This Class B digital apparatus complies with Canadian ICES-003.

Cet appareil numérique de la classe B est conforme à la norme NMB-003 du Canada.

DSC erklærer herved at denne komponenten overholder alle vigtige krav samt andre bestemmelser gitt i direktiv 1999/5/EC.

Por este meio, a DSC, declara que este equipamento está em conformidade com os requisitos essenciais e outras determinações relevantes da Directiva 1999/5/EC.

"DSC bekräftar härmed att denna apparat uppfyller de väsentliga kraven och andra relevanta bestämmelser i Direktivet 1999/5/EC".

Con la presente la Digital Security Controls dichiara che questo prodotto è conforme ai requisiti essenziali ed altre disposizioni rilevanti relative alla Direttiva 1999/05/CE.

Por la presente, DSC declara que este equipo está en conformidad con los requisitos esenciales y otros requisitos relevantes de la Directiva 1999/5/EC.

Hierdurch erklärt DSC, daß dieses Gerät den erforderlichen Bedingungen und Voraussetzungen der Richtlinie 1999/5/EC entspricht.

"Δία του παρόντος, η DSC, δηλώνει ότι αυτή η συσκευή είναι σύμφωνη με τις ουσιαστικές απαιτήσεις και με όλες τις άλλες σχετικές αναφορές της Οδηγίας 1999/5/EC".

Hierbij verklaart DSC dat dit toelating in overeenstemming is met de eisen en bepalingen van richtlijn 1999/5/EC.

Par la présente, DSC déclare que ce dispositif est conforme aux exigences essentielles et autres stipulations pertinentes de la Directive 1999/5/EC.

DSC vakuuttaa laitteen täyttävän direktiivin 1999/5/EC olennaiset vaatimukset.

DSC jako výrobce prohlašuje, že tento výrobek je v souladu se všemi relevantními požadavky směrnice 1999/5/EC.

Herby, DSC, declares that this device is in compliance with the essential requirements and other relevant provisions of Directive 1999/5/EC.

**The complete R&TTE Declaration of Conformity can be found at [http://www.dsc.com/listings\\_index.aspx](http://www.dsc.com/listings_index.aspx)**

modelo GS2060



modelo GS2065



modelo TL260GS



modelo TL265GS



Estes equipamentos operam em caráter secundário, isto é, não tem direito a proteção contra interferência prejudicial, mesmo de estações do mesmo tipo, e não podem causar interferência a sistemas operando em caráter primário.



# DSC

©2010 Digital Security Controls  
Toronto, Canada • [www.dsc.com](http://www.dsc.com)

Tech Support / Centre d'aide technique/Líneas Tech: 1-800-387-3630 (Canada, US), 905-760-3036  
Printed in Canada / Imprime au Canada / Impreso en Canadá / Impresso no Canadá