

See Far, Go Further

Hikvision Naming Rule

Turbo HD Camera NEW naming rule

①	②	③	④	⑤	⑥	⑦	⑧	⑨
DS-2	C	E	1	6	D	8	T	— IT3
Hikvision front-end product	Color camera	C: C series for project E: E series for distribution S: S series for special application	1: bullet 3: box 5: dome 7: turret	Fixed lens bullet: 16: bullet 14, bullet 32, bullet 22 (old structure) 10: bullet 42 (new structure) 12: bullet 43 (new structure) 17: bullet 38 (new structure) 13, 14, 15, 18: reserved number Fixed lens turret : 76: turret 14, turret 17, turret 30 78: turret 13 (old structure) 72: turret 20 70: turret 33 7P: turret + panorama 73, 74, 75: reserved number Fixed lens dome: 56: dome 10 (old structure) 57: dome 18 (old structure) 50, 52, 53, 54: reserved number Vari-focal bullet: 19: bullet 25 (old structure) Vari-focal turret: 79: turret 12 (old structure) 77: reserved number Vari-focal dome : 56: dome 16 (old structure) 59: dome 11 (old structure) 5A: 5A dome (old structure) 58: reserved number Box: 37: box 14 Cube: 38: cube	C: 720P D: 1080P H: 5 MP U: 8 MP	0,1,2,3: economic rank 5,8: ultra-low light 9: ultra-low light+ F: full-time color	T: HDTVI	Annotation: P: plastic M: metal VP: vandal-proof VF: vari focal IR: conventional infrared 10-20m IR3: conventional infrared 30-40m I: enhanced conventional infrared 20m I3: enhanced conventional infrared 30m IT/IT1: EXIR 2.0 20/30m IT2: EXIR 2.0 20-40m IT3: EXIR 2.0 30-60m IT5: EXIR 2.0 60-80m A: AC24V and DC12V F: 4 in 1 E: PoC Z: motorized lens H: heater PH: pinhole camera PIR: PIR detection L: lighting O: alarm out S: coaxial audio B: built-in balun C: eco X: strobe light alarm and audible alarm

DVR Naming Rule

No.	①	②	③	④	⑤	⑥	⑦	⑧
Model Name	DS-	72	08	HGH	I	-F	1	/N
Standing for	DS-: Hikvision Products	Product Series	Analog Channel No.	Stands for the encoding resolution of DVR	I stands for international.	Stands for the product generation no.	Supported hard drive no.	Extended function and features
Detailed Description	DS-: General Products iDS-: Inteligent products	DVR: 71/72/73/76/8 1/90 Encoder: 60/61/65/66/6 7	Range from 01 to 32.	HFH:HD-SDI HGH:720p/ 1080p lite HQH:1080P/ 4 MP lite HUH:3 MP/5 MP / 8 MP HTH:8MP	With I: for international markets Without I: for domestic markets only	New generation: -K (H.265 & H.265+) -M (2nd Gen AcuSense) Old generation: -F (H.264 & H.264+) -S, -ST, -SH, -E	Range from 1 to 16	/P: built-in PoC /N: non- realtime /xS: smart analysis channel
Example	iDS- 7204HUH I-K1/2S	Hikvision intelligent TVI DVR, 4-ch analog video input, up to 3MP/5MP non-real-time encoding, 1 HDD interface, supports 2 channels smart analysis						

2/3 Series Network Camera Naming Rule

No.	①	②	③	④	⑤	⑥	⑦	⑧		⑨	⑩	—	Suffix	Bracket1	Bracket 2	Bracket 3	Bracket 4	Bracket5
Model Name	Intelligent Identification	Hikvision Identification	Camera Identification	Series	Form	Resolution	Feature	International Identification	Upgrade Identification	Version Identification	Special Identification	—	Suffix	Bracket1	Bracket 2	Bracket 3	Bracket 4	Bracket5
Detailed Description	Default: Vacant i: Intelligent network camera	DS-2: Hikvision front-end product	CD: Color camera CV: DIY series network cameras/Wi-Fi cameras/Consumer cameras	1: 1 series 2: 2 series 3: 3 series	0: Fixed bullet 1: Fixed dome 3: Fixed turret 4: Cube 5: Mini dome 6: Vari-focal bullet 7: Vari-focal dome T: Big fixed bullet 8: Box 9: Fisheye D: Pinhole E: Recessed mount dome F: PT dome H: Vari-focal turret U: Wi-Fi Cube Q: Wi-Fi PT camera	0: 1 MP 1: 1.3 MP 2: 2 MP 3: 3 MP 4: 4 MP 5: 5 MP 6: 6 MP 8: 8 MP	0: H.264 1: H.264 (for 1 series) 2/3 series) 2: H.264 3: H.265 5: Powered by DarkFighter 6: AcuSense 7: ColorVu ... 9: Reserved ... A: Reserved ... Z: Reserved	G: For International market	0: First version 1: Second version 2: Third version ...	Default: Vacant E: Economy H: Enhanced X/S: Reserved	Default: Vacant P: Panoramic T: Pigtail	—	I: IR (2I: 2 IR LEDs; 4I: 4 IR LEDs) L: White light N: Invisiable IR Z: Motorized vari-focal lens S: Interface (audio/alarm) F: SD card (only for 1 series) U: Built-in Mic M: HDMI/Metal (only for 1 series) D: non-PoE, AC/DC W*: Wi-Fi; (W: built-in antenna; W1: external antenna; W2: enhanced external antenna) /SL: Strobe light & audio alarm /**G-T : Pre-install **G storage card TLC /**G-M: Pre-install **G storage card MLC /**G-E: Install **G EMMC storage chip on board	Default: Vacant (O1): OEM1 (O2): OEM2 ...	Focal length	(O-STD): Oversea standard (O-NEU): Oversea neutral	Default: Vacant (BL ACK): Hikvision black	Default: Vacant @: Sample /European standard /American standard
	Example		DS-2	CD	2	1	2	5	G	0			—	ID	O1	(BK)	(2.8mm)	(GN)

DS-2CD2125G0-ID/NF(O1)(BK)(2.8mm)(GN)

4,5,7,8 Series Network Camera Naming Rule

No.	④	⑤	⑥	⑦	⑧	⑨	⑩	⑪	⑫	⑬	⑭	⑮	⑯	⑰	⑱	⑲	⑳			
Model Name	Intelligent Identification	Hikvision Identification	Camera Identification	Series	Form	Resolution	Low Illumination	International Identification	Upgrade Identification	Version Identification	Special Identification	Special Function	—	Suffix	Bracket 1	Bracket 2	Bracket3	Bracket4	Bracket5	
Detailed Description	Default: Vacant i: Intelligent network camera	DS-2: Hikvision front-end product	CD: Color camera	4: 4 series 5: 5 series 6: 6 series 7: 7 series 8: 8 series	0: Box 1: Indoor dome 5: Outdoor dome 6: Big outdoor bullet A: Outdoor bullet B: Outdoor bullet C: Box D: Outdoor dome	0: 1 MP 1: 1.3 MP 2: 2 MP 3: 3 MP 4: 4 MP 5: 5 MP 6: 6 MP 8: 8 MP C: 12 MP	5: Conventional 6: DarkFighter 8: DarkFighterX	G: For international market	0: First version 1: Second version 2: Third version ...	Default: Vacant E: Economy H: Enhanced X、S: Reserved	Default: Vacant P: Panoramic T: Pigtail	Default: Vacant /P: ANPR /B: Behavior analysis /C: People counting /F: Face recognition /L: Flow analysis /E: Box camera with housing	—	I: IR (2I: 2 IR LEDs; 4I: 4 IR LEDs) L: White light N: Invisible IR H: Heater Z: Motorized vari-focal lens S: Interface (audio/alarm) U: Built-in Mic D: non-PoE, AC/DC W*: Wi-Fi; (W: built-in antenna; W1: external antenna; W2: enhanced external antenna) Y: Anti-corrosion coating A: ABF P: P-iris V: Enhanced struture, such as supporting IK10 /F01: Single optical fiber port /F21: Double ethernet port, single optical fiber port /F11: Single ethernet port, single optical fiber port /F12: Single ethernet port, double optical fiber port /SL: Strobe light & audio alarm /UH: Ultra-low temperature /**G-T : Pre-install **G storage card TLC /**G-M: Pre-install **G storage card MLC /**G-E: Install **G EMMC storage chip on board	Default: Vacant (O1): OEM1 (O2): OEM2 ...	Focal length	(O-STD): Oversea standard (O-NEU): Oversea neutral	Default : Vacant (BLACK): Hikvision black	Default: Vacant @: Sample /Europe standard /American standard	
	Example		DS-2	CD	5	5	2	6	G	0				—	IZHSY			(2.8~12mm)	(GS)	
		DS-2CD5526G0-IZHSY(2.8~12mm)(GS)																		
		i	DS-2	CD	8	6	2	6	G	0			/P	—	IZHS			(8~32mm)	(GS)	
	iDS-2CD8626G0/P-IZHS(8~32mm)(GS)																			

6 Series Network Camera Naming Rule

No.	①	②	③	④	⑤	⑥	⑦	⑧	⑨	⑩	⑪	⑫	⑬	⑭	⑮	⑯		
Model Name	Intelligent Identification	Hikvision Identification	Camera Identification	Series	Form	Resolution	Key Feature	International Identification	Upgrade Identification	Different Version Identification	Special Function	—	Suffix	Bracket1	Bracket2	Bracket3	Bracket4	Bracket5
Detailed Description	Default: Vacant Intelligent network camera	DS-2: Hikvision front-end product	CD: Common cameras XE: Explosion-proof cameras XC: Corrosion-proof cameras XM: Mobile cameras	6: Special	DS-2CD: 3: Fisheye 4: Covert 5: Mobile 6: Corrosion 8: Dual-lens people counting 9: Multi-lens stitching dome A: Multi-lens stitching bullet D: Multi-lens dome DS-2XE: 0: Explosion-proof mobile fixed-focus bullet 1: Explosion-proof dome 2: Explosion-proof fixed-focus bullet 4: Explosion-proof vari-focus bullet DS-2XC: 1: Corrosion-proof mini dome 2: Corrosion-proof underwater fixed-focus bullet DS-2XM: 1: Mobile mini dome 2: Mobile out-door bullet 3: Mobile fisheye 4: Mobile covert cameras 5: Mobile out-door cameras 7: Mobile mini dome 8: Mobile dual-lens people counting	2: 2 MP 3: 3 MP 4: 4 MP 5: 5MP 8: 8 MP C: 12 MP	Multi-lens cameras: (2CD69 / 2CD6D / 2CD6A) 2: 2 lens 4: 4 lens 5: 5 lens ... Single lens cameras: 5: Default	G: For International	0: First version 1: Second version 2: Third version ...	Default: Vacant E: Economical H: Enhanced	Default: Vacant /C: People counting /F: Face capture	—	I: IR L: White light N: Invisible IR H: Heater Z: Motorized vari-focal lens S: Interface (audio/alarm) M: Mobile avation port D: non-PoE, only AC/DC W*: Wi-Fi; (W: built-in antenna; W1: external antenna; W2: enhanced external antenna) Y: Anti-corrosion coating A: ABF P: P-iris V: Enhanced struture, such as supporting IK10 R: Wiper /NFC: Fiber optic /NF: Non-local storage /ND: no DC/AC, only PoE /RC: In-ceiling installation /F01: Single optical fiber port /F21: Double ethernet port, single optical fiber port /F11: Single ethernet port, single optical fiber port /F12: Single ethernet port, double optical fiber port XY(num): used in covert camera; X: 1-cylindric lens, 2-square lens, 3-mini cylindric lens, 4-sphere lens, 5-cup lens, 6-button lens; Y: lens channels CX(num): used in covert camera; X: host; Y: input channels LXY(num): used in covert camera; L10-cylindric lens, L20-square lens, L30-mini cylindric lens, L40-sphere lens, L50-cup lens, L60-button lens; PXY(num): used in covert camera; stand for lens and bracket packaging methods	Default: Vacant (O1): OEM1 (O2): OEM2 ...	Focal length	(O-STD): Oversea standard (O-NEU): Oversea neutral	Default: Vacant (BLACK): Hikvision black	Default: Vacant @: Sample /European standard /American standard

Bracket Naming Rule

No.	①		②	③	④		⑤	⑥
Model Name	DS	—	12	72	ZJ	—	110	—TRS
Detailed Description	Hikvision product		12: bracket of camera 16: bracket of PTZ dome	70: adaptor cap of bracket 71: pendant bracket 72: short arm wall mount bracket 73: long arm wall mount bracket 75: pole mount bracket 76: corner mount bracket 80: junction box 81: inclined base 82: adaptor plate	Bracket		110: φ 110mm adaptor cap 120: φ 120mm adaptor cap 130: φ 130mm adaptor cap 135: φ 135mm adaptor cap 140: φ 140mm adaptor cap 155: φ 155mm adaptor cap 160: φ 160mm adaptor cap B: with junction box adapter: with various adaptor cap and customized bracket	TR: for turret camera TRS: for turret 3,5 TRL: for turret 6,8 TR3: for turret 3 TR3-Grey: for turret 3, hik grey TR6: for turret 6 TR6-Grey: for turret 6, hik grey TR8: for turret 8 DM18: for dome camera 18 DM20: for dome camera 20 DM21: for dome camera 21 DM23: for dome camera 23

Housing Naming Rule

No.	①		②	③	④		⑤
Model Name	DS	—	13	31	HZ	—	—C
Detailed Description	Hikvision product		13: housing	30: indoor plastic housing 32: indoor metal housing 31: outdoor housing 40: outdoor housing with self-contained three-axis adjustment	Housing		Default: vacant -C: built-in fan -H: built-in heater and fan -W: wiper -E: support PoE -I: IK10 -T: for wide-angle lens -R: built-in refrigeration

PTZ Dome Naming Rule

No.	①	②	③	④	⑤	⑥	⑦	⑧	⑨	⑩					
Model Name	DS-2	D	F	8	2	30	IR light	Hardware	—	Power supply	Installation type	Interface	Extra function	Protection	Other
Detailed Description	DS-2: Hikvision front-end product ids-2 : Hikvision front-end intelligent product	A: analog/digital D: network	F: F series E: E series	2: 2.5 inch 3: 3 inch 4: 4 inch 5: 5 inch 6: 6 inch 7: 7 inch 8: 8 inch XA/C: X inch enhanced	0: 700TVL or WD1 1: 1.3MP 2: 2MP 3: 3MP 4: 4MP 5: 5MP 6: 6MP 8: 8MP	00: fixed lens 03: 3x optical 04: 4x optical 12: 12x optical 18: 18x optical 20: 20x optical 23: 23x optical 25: 25x optical 30: 30x optical 32: 32x optical 35: 35x optical 36: 36x optical 42: 42x optical 45: 45x optical 45: 48x optical 50: 50x optical 73: 73x optical	Default: without IR I: with IR light I3: 300m laser IR I5: 500m laser IR I8: 800m laser IR B: White light M: IR and white light	XS: H5 series H/HS: darkfighterX X-xxx(T3): H7 series X-xxx: H3 series --OLD-- H: H1 series(Darkfighter X) W: R7 Series	A: AC24V D: DC12V E: PoE/PoE+/Hi-POE	Default: outdoor mounting 3: indoor mounting(both ceiling or in-celing) 4: support multiple installation types	Default: RJ45 network interface or BNC standard definition interface C: Coaxial transmission F: fiber interface P: EPON interface S: SDI interface	Default: normal L: start in low temperature W: Wiper	Default: normal V: Vandal-proof X: Anti-explosion Y: Anti-corrosion	/W /3G /4G (T2) - H5 series (T3) - H7 series (S5) - G3 series (S1) - H3 series NO MA	
Example	DS-2DF8250I5X-AELW(T3)			(2MP,50x optical, 8 inch, 500m laser IR, network high PTZ Dome(AC24V, P/N system adaptive, RJ45, Wiper, outdoor PTZ Dome, H7 platform)											

See Far, Go Further

Positioning System Naming Rule

No.	①	②	③	④	⑤	⑥	⑦	⑧	⑨	⑩					
Model Name	DS-2	D	Y	3	2	20	IR light	Hardware	—	Power supply	Installation type	Interface	Extra function	Protection	Other
Detailed Description	DS-2: Hikvision front-end product ids-2 : Hikvision front-end intelligent product	A: analog/digital D: network	Positioning system	3: 3 series 5: 5 series 7: 7 series 9: 9 series	2: 2MP 3: 3MP 3: 8MP	03: 3x optical 04: 4x optical 12: 12x optical 18: 18x optical 20: 20x optical 23: 23x optical 30: 30x optical 36: 36x optical 50: 50x optical	Default: without IR I: IR light I3: 300m laser IR I5: 500m laser IR I8: 800m laser IR IA: 1000m laser IR	W: R7 Series X-xxx(T3): H7 series X-xxx: H3 series		A: AC24V D: DC12V E: PoE/PoE+/Hi-POE M: Mobile	Default: outdoor mounting 3: indoor mounting(both ceiling or in-celing) 4: support multiple installation types	Default: RJ45 network interface or BNC standard definition interface C: Coaxial transmission F: fiber interface P: EPON interface S: SDI interface	Default: normal H: High frame rate (50fps or 60fps) L: start in low temperature W: Wiper	Default: normal V: Vandal-proof X: Anti-explosion Y: Anti-corrosion	/WIFI /3G /4G (T3) - H7 series
Example	DS-2DY5223IW-AE			2MP,23X,150m IR, 24VAC, Hipoe											

PanoVu Series

No.	①	②	③	④	⑤	⑥	⑦		⑧	⑨
Model Name	DS-2	DP	16	36	Z	I	X	-	D	/236
Detailed Description	Hikvision front-end product	PanoVu Camera	08:8MP 16:16MP	18:180° 36:360°	Z: With PTZ Camera	I: 200m IR (PTZ supoort)	default: first generation X: Second generation		D: DC36V	Default: First generation /236: PTZ parameter. 2MP, 36X

PanoVu Mini Series

Model Name	DS-2	PT	5	3	2	6	IZ	-	D	E	5-50 mm	4 mm
Detailed Description	Hikvision front-end product	PT series Camera	5 series camera	3: 3-ch panoramic camera 1: 1-ch panoramic camera	2: PTZ Camera resolution	6: panoramic camera resolution	I:with IR Z: with PTZ Camera		D: DC12V	E:POE	PTZ camra focal length	Panorami c Camera focal length

Taffic PTZ camera

No.	①	②	③	④	⑤	⑥	⑦	⑧	⑨	⑩
Model Name	i	DS-2	V	S	4	3	5	-	F	840
Detailed Description	Intelligent products	Hikvision front-end product	V:Traffic camera	S: speed dome	PTZ resolution 2: 2MP 3: 3MP A: 12MP D: 16MP 4: 4MP	3nd generation	Inheriting from the last generation, there is no special meaning		Traffic Violation PTZ Camera	8: 8 inch 40: 40x optical

PanoVu Series PT camera

No.	①	②	③	④	⑤	⑥	⑦	⑧	⑨	⑩	⑪	⑫	
Model Name	i	DS-2	PT	9	A	1	4	4	M	XS	-	D	T2
Detailed Description	Intelligent products	Hikvision front-end product	PT series Camera	9: main series	N/A: the only manufacture products or the first generation products A-Z: Different Product Version	N/A: no Panoramic lens 1-9: Panoramic lens' number	P PTZ resolution 2: 2MP 3: 3MP 4: 4MP 5: 5MP	Fixed lens resolution 2: 2MP 3: 3MP 4: 4MP 5: 5MP	Light compensation I: 200m IR B: White light M: Mix light(Light compensation of two or more different wavebands)	Version or Platform H:Ultra High level(Darkfighter X etc.) X: High level H265(Capture) Y: Low level W:Medium level H265 XS: High level H265(Video Structuralization)		D: DC 12V or DC 30V	Firmware Platform and sub-firmware platform N/A:the first firmware of the series like H series: N/A = H3+M1 X series: N/A = H3+M1 W series: N/A = R7 Y series: N/A = E2 S1 = H3 S2 = H3+M2 S3 = H3+M1+TX1 S5 = G3 T1 = H5+M2 T2 = H5 T3 = H7
	See Far, Go Further												

NVR Naming Rule

No.	①	②	③	④	⑤	⑥	⑦	⑧	⑨	⑩
Model Name	(i)DS-	77	16	N	I	-I	2	/8P	/4S	(B)
Standing for	DS-: Hikvision Products	Product Level	IP Channel Number	NVR	I stands for international.	Product Platform	HDD Slot(s)	Extended function and features	Intelligent Functions	Hardware revision
Detailed Description	DS-: General Products iDS-: Intelligent products	71: Value Level 76: Pro Series 77: Pro Series 96: Pro/Ultra Series	4/8/16/32/64/128/256 IP Channels	Product Series N: NVR NX: NVR with Deep Learning technology	With I: for international markets Without I: for domestic markets only	I/K/E/Q(different CPU or Dsp inside)	1: support 1 HDD 2: support 2 HDDs 4: support 4 HDDs 8: support 8 HDDs 16: support 16 HDDs 24: support 24 HDDs	/16P: With 16 PoE interfaces /H: With decode board /W: with WiFi module /4G: with 4G module	/4S: up to 4 channels for human detection /4F: up to 4 channels for facial recognition /4B: up to 4 channels for behavior analysis	(B): the second hardware revision X: the Xth hardware revision
Example	DS-9664NI-I8	Hikvision NVR, 64-ch IP video input, with 8 HDDs								
	iDS-9632NXI-I8/16S	Hikvision Intelligent NVR, 32 IP video input, 8 HDD interfaces, supports 16-ch for human detection.								
	DS-7716NI-I4/16P(B)	Hikvision NVR, 16-ch IP video input, with 4 HDDs and 16 PoE ports, hardware upgraded to version B.								
	DS-7732NXI-I4/16P/4S	Hikvision EasyIP 4.0 Series NVR, 16-ch IP video input, with 16 PoE ports, supports 4-ch human detection for false alarm filter.								



Access Control

General Naming Rules

DS - K X YYYY - WW

①

②

③

④

⑤

Extend feature

Main feature

Category

Access control & Video intercom

Hikvision product

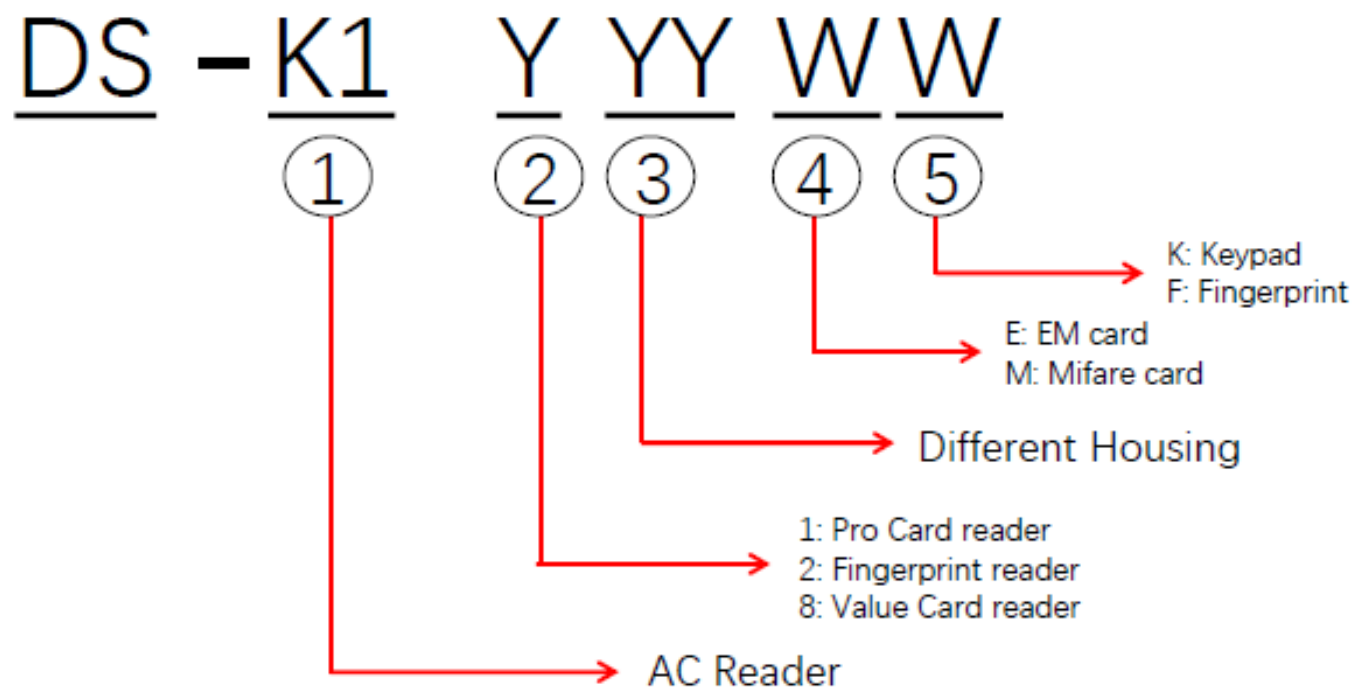
1	AC Reader
1F	AC Issuer
1A	TA Terminal
1T	AC Terminal
2	Access Controller
3	Barrier Turnstile
4	Electric lock
50	Visitor terminal
56	Barrier Face module
7	Accessories

AC: Access Control. TA: Time Attendance;



Access Control

AC Reader Naming Rules



Example:

AC: Access Control. TA: Time Attendance;

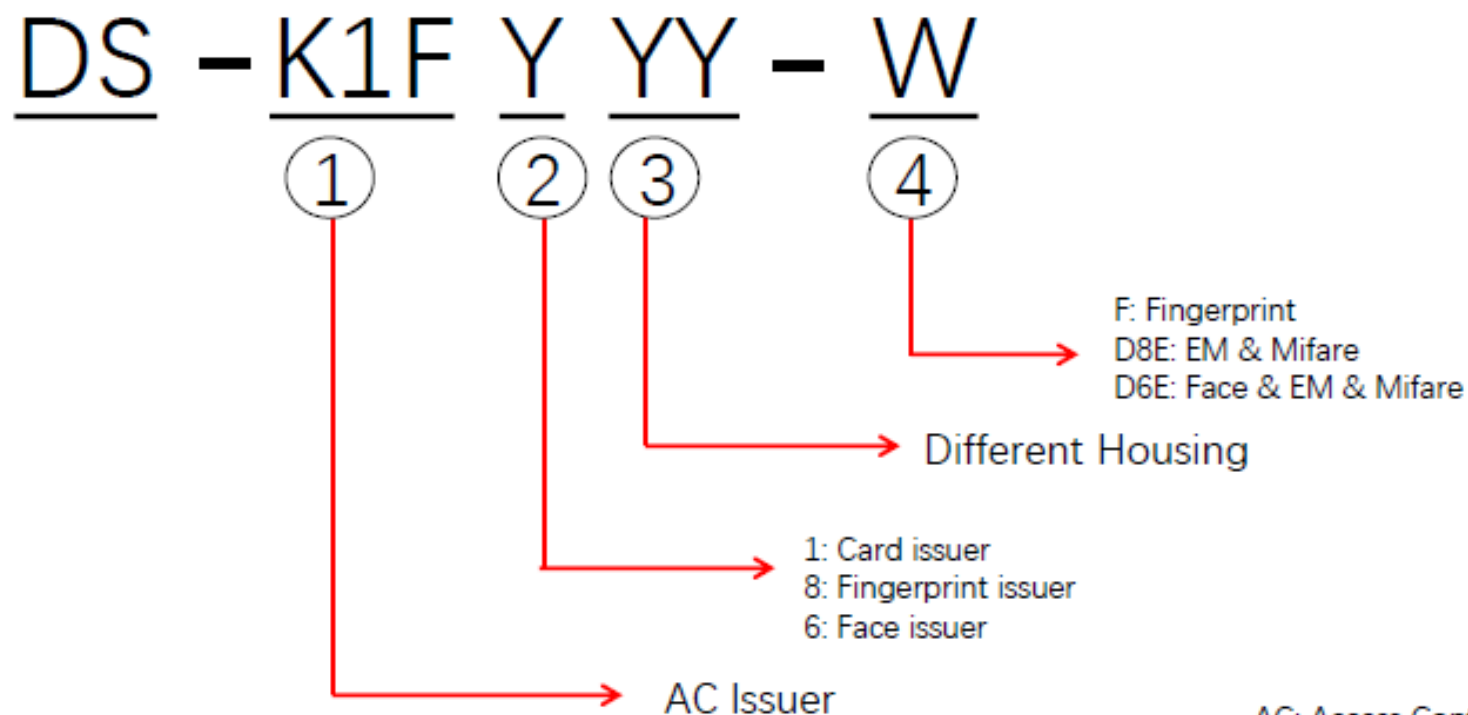
DS-K1101MK	Pro Card reader (K11), Housing 1 (01), with Mifare (M), Keypad (K).
DS-K1102MK	Pro Card reader (K11), Housing 2 (02), with Mifare (M), Keypad (K).
DS-K1103MK	Pro Card reader (K11), Housing 3 (03), with Mifare (M), Keypad (K).
DS-K1104MK	Pro Card reader (K11), Housing 4 (04), with Mifare (M), Keypad (K).
DS-K1107MK	Pro Card reader (K11), Housing 7 (07), with Mifare (M), Keypad (K).
DS-K1108MK	Pro Card reader (K11), Housing 8 (08), with Mifare (M), Keypad (K).

DS-K1801MK	Value Card reader (K18), Housing 1 (01), with Mifare (M), Keypad (K).
DS-K1802EK	Value Card reader (K18), Housing 2 (02), with EM (E), Keypad (K).
DS-K1201EF	Fingerprint reader (K12), Housing 1 (01), with EM (E), Fingerprint (F).



Access Control

AC Issuer Naming Rules



Example:

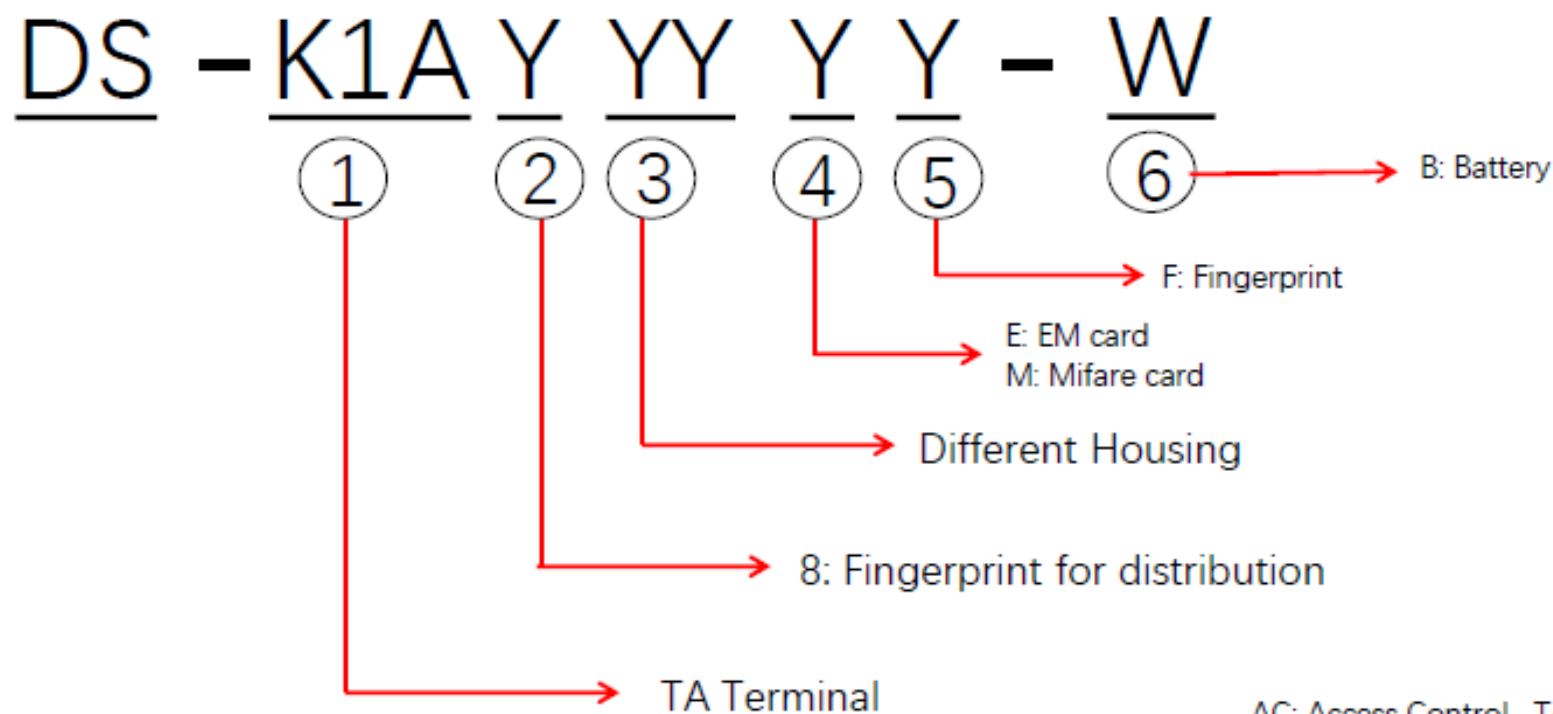
AC: Access Control. TA: Time Attendance;

DS-K1F100-D8E	Card issuer (K1F1), Housing 00 (00), with EM & Mifare (D8E).
DS-K1F820-F	Fingerprint issuer (K1F8), Housing 20 (20), with fingerprint (F).
DS-K1F600-D6E	Face issuer (K1F6), Housing 00 (00), with Face & EM & Mifare (D6E).
DS-K1F600-D6E-F	Face issuer (K1F6), Housing 00 (00), with Face & EM & Mifare (D6E), Fingerprint (F).



Access Control

TA Terminal Naming Rules



AC: Access Control. TA: Time Attendance;

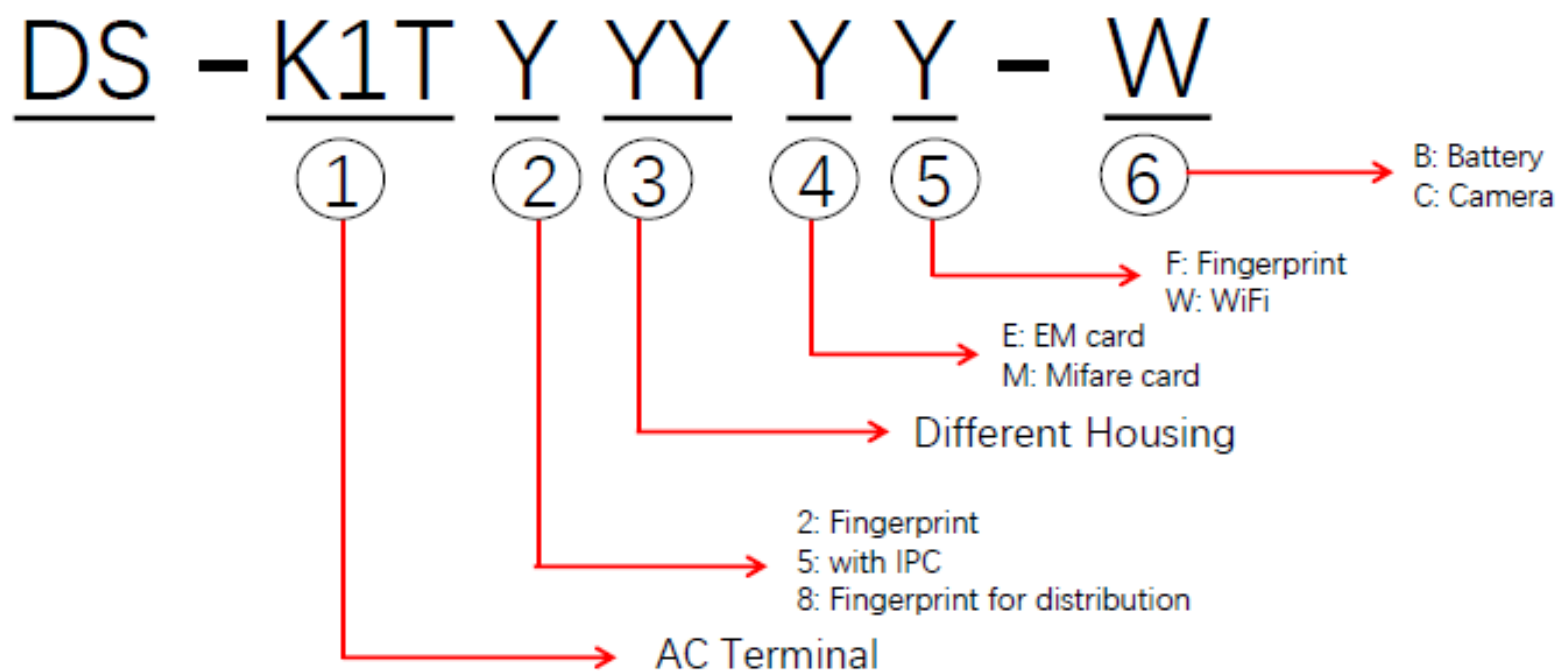
Example:

DS-K1A802MF	TA Terminal (K1A), Fingerprint for distribution type (8), Housing 02 (02), with Mifare (M), Fingerprint (F).
DS-K1A802EF-B	TA Terminal (K1A), Fingerprint for distribution type (8), Housing 02 (02), with EM (E), Fingerprint (F), Battery (B).
DS-K1A802AEF-B	TA Terminal (K1A), Fingerprint for distribution type (8), Housing 02A (02A), with EM (E), Fingerprint (F), Battery (B).
DS-K1A8503MF	TA Terminal (K1A), Fingerprint for distribution type (8), Housing 503 (503), with Mifare (M), Fingerprint (F).
DS-K1A8503EF-B	TA Terminal (K1A), Fingerprint for distribution type (8), Housing 503 (503), with EM (E), Fingerprint (F), Battery (B).



Access Control

AC Fingerprint Terminal Naming Rules



Example:

AC: Access Control. TA: Time Attendance;

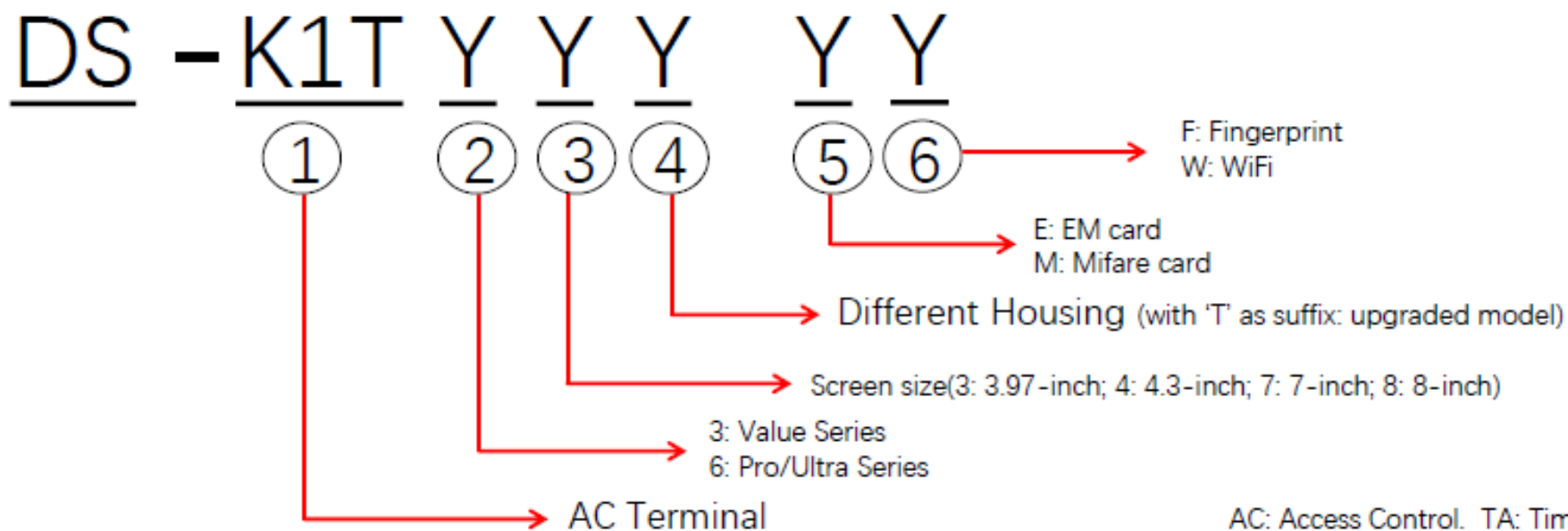
DS-K1T201MF-C	AC Terminal (K1T), Fingerprint type (2), Housing 01 (01) with Mifare (M), Fingerprint (F), Camera (C).
DS-K1T501SF*	AC Terminal (K1T), with 2MP IPC type (5), Housing 01 (01) with Mifare (S), Fingerprint (F).
DS-K1T804MF	AC Terminal (K1T), fingerprint for distribution type (8), Housing 04 (04) with Mifare (M), Fingerprint (F).
DS-K1T804AMF	AC Terminal (K1T), fingerprint for distribution type (8), Housing 04A (04A), with Mifare (M), Fingerprint (F).
DS-K1T8003MF	AC Terminal (K1T), fingerprint for distribution type (8), Housing 003 (003) with Mifare (M), Fingerprint (F).

Notes: the above name rule is not suitable for old product, like K1T801, K1T802, K1T105.



Access Control

AC Face Terminal Naming Rules



Example:

AC: Access Control. TA: Time Attendance;

DS-K1T331W	AC Terminal (K1T), Value Series (3), Screen size 3.97-inch(3), Housing 1 (1), with WiFi (W).
DS-K1T341AM	AC Terminal (K1T), Value Series (3), Screen size 4.3-inch(4), Housing 1A (1A), with mifare (M).
DS-K1T341AMF	AC Terminal (K1T), Value Series (3), Screen size 4.3-inch(4), Housing 1A (1A), with mifare (M), fingerprint(F).
DS-K1T642MF	AC Terminal (K1T), Pro/Ultra Series (6), Screen size 4.3-inch(4), Housing 2 (2), with Mifare (M), Fingerprint (F).
DS-K1T671MF	AC Terminal (K1T), Pro/Ultra Series (6), Screen size 7-inch(7), Housing 1 (1), with Mifare (M), Fingerprint (F).
DS-K1T671TMFW	AC Terminal (K1T), Pro/Ultra Series (6), Screen size 7-inch(7), Housing 1 (1), Upgraded Model (T), with Mifare (M), Fingerprint (F), WiFi (W).
DS-K1T672MF	AC Terminal (K1T), Pro/Ultra Series (6), Screen size 7-inch(7), Housing 2 (2), with Mifare (M), Fingerprint (F).
DS-K1T680MF	AC Terminal (K1T), Pro/Ultra Series (6), Screen size 8-inch(8), Housing 0 (0), with Mifare (M), Fingerprint (F).

Notes: the above name rule is not suitable for old product, like K1T8105, K1T604, K1T605, K1T606, K1T607.



Access Control

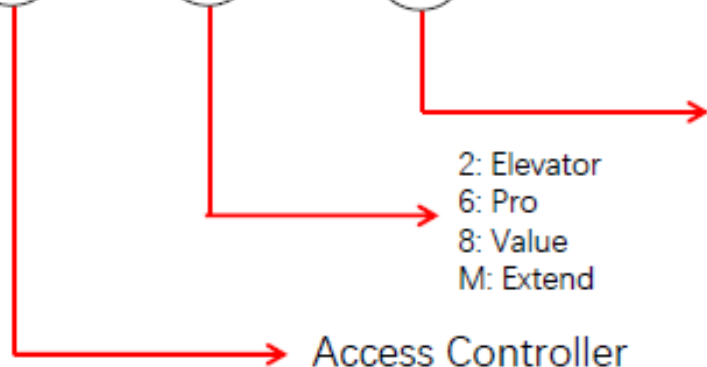
Access Controller Naming Rules

DS - K2 Y YY

①

②

③



- 01: one door
- 02: two doors
- 04: four doors
- (with 'T' as suffix: upgraded model,
with '-G' as suffix: new appearance model)
- 10: Elevator master controller
- 0016A: Elevator extend controller

Example:

AC: Access Control. TA: Time Attendance;

DS-K2604	Access Controller (K2), Pro (6), support 04 door (04).
DS-K2804	Access Controller (K2), Value (8), support 04 door (04).
DS-K2604T	Access Controller (K2), Pro (6), support 04 door (04), upgraded model (T).
DS-K2604-G	Access Controller (K2), Pro (6), support 04 door (04), new appearance model (-G).
DS-K2210	Access Controller (K2), Elevator (2), master controller (10).
DS-K2M0016A	Access Controller (K2), Extend (M), extend controller (0016A). (should be used together with elevator master controller)
DS-K2M060*	Secure module. Accessible Card Reader: 1 Wiegand reader, Uplink Communication Interface: RS-485 Interface;

*: it means that this product is old version and name rule is different with the general name rules for new version;



Access Control

Barrier Turnstile Naming Rules

HIKVISION

DS - K3 YYYYYY / Y Y - W

①

②

③

④

⑤

⑥

⑦

⑧

⑨

Barrier Turnstile

B: Swing
Y: Flap
G: Tripod

1~3: Value
4~6: Pro
7~9: Ultra

Different Housing

A: Supreme motor

M: Mifare
Pg: Face
F: Fingerprint
Q: QR code

In: Entrance direction
Out: Exit direction

L: Left side
M: Medium side
R: Right side

Dp65: Acrylic, 650mm
Dp110: Acrylic, 1100mm
Dm65: Stainless steel, 650mm
Dm110: Stainless steel, 1100mm,

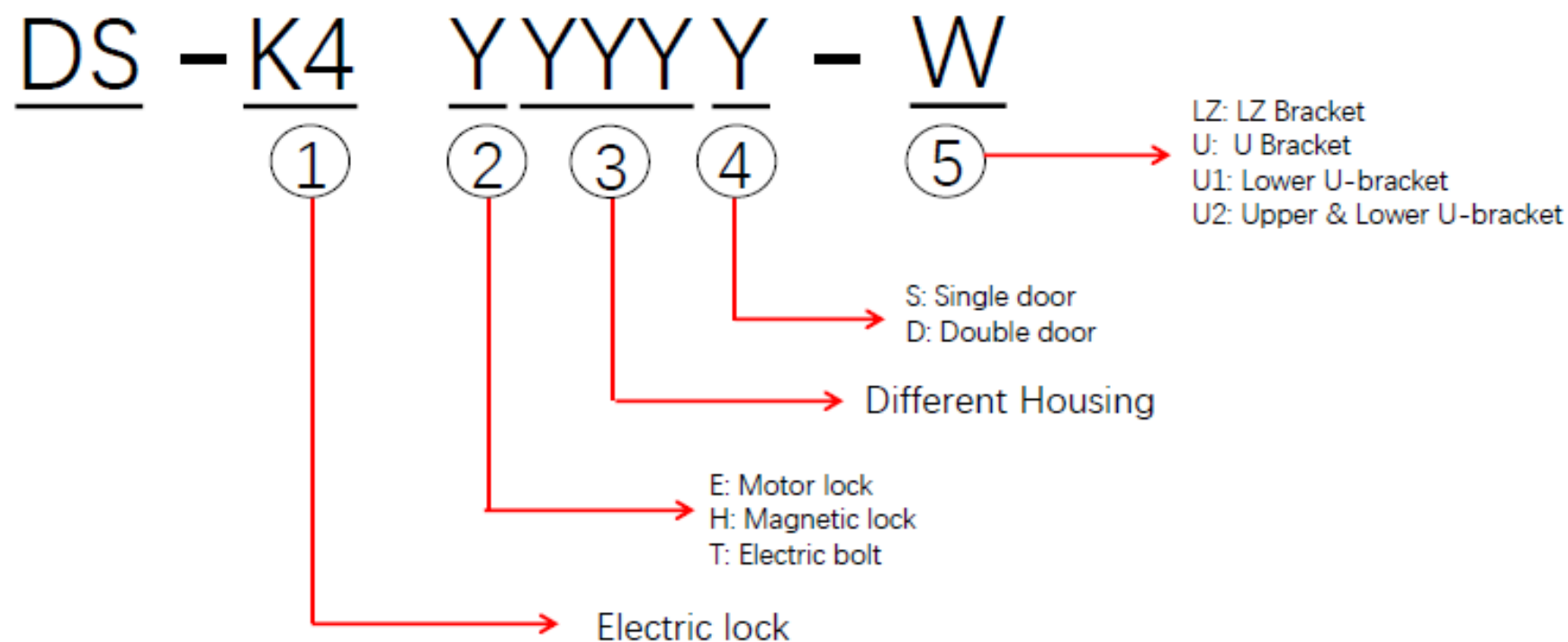
Example:

DS-K3B601-M/M-InPg-Dm90	Swing barrier turnstile body (K3B), Housing 601 (601), Middle side Mifare out Face in (M/M-InPg), 900mm, Stainless steel (Dm90)
DS-K3B601-R/MPg-Dm90	Swing barrier turnstile body (K3B), Housing 601 (601), Right side both Mifare & Face (R/MPg), 900mm, Stainless steel (Dm90)
DS-K3B601A-L/M-Dp65	Swing barrier turnstile body (K3B), Housing 601 (601A), left side Mifare (L/M), 650mm, Acrylic (Dp65)
DS-K3B601-BASE650-M	For DS-K3B601, the module base for multi-lane of 650mm (BASE650-M)
DS-K3B601-BASE650-S	For DS-K3B601, the single base for single lane of 650mm (BASE650-S)
DS-K3Y501	Flap barrier turnstile body (K3Y), Housing 501 (501),
DS-K3G501	Tripod Turnstile body (K3G), Housing 501 (501),



Access Control

Electric lock Naming Rules



Example:

DS-K4E100	Electric lock (K4), Motor type (E), Housing 100 (100),
DS-K4T100	Electric lock (K4), Electric bolt type (T), Housing 100 (100),
DS-K4T100-U1	For Using with DS-K4T100. Lower U-bracket (U1) of Electric Bolt,
DS-K4T100-U2	For Using with DS-K4T100. Upper and lower U-bracket (U2) of Electric Bolt,
DS-K4T108	Electric lock (K4), Electric bolt type (T), Housing 108 (108),
DS-K4T108-U1	For Using with DS-K4T108. U-bracket (U1) of Electric Bolt



Access Control

Exit Button Naming Rules

DS - K7P YY

①

②

01/02: Aluminum alloy touch panel, different shape
03/04: Stainless steel untouch panel, different shape
05/06: Stainless steel touch panel, different shape
EB: Emergency break glass

Exit button

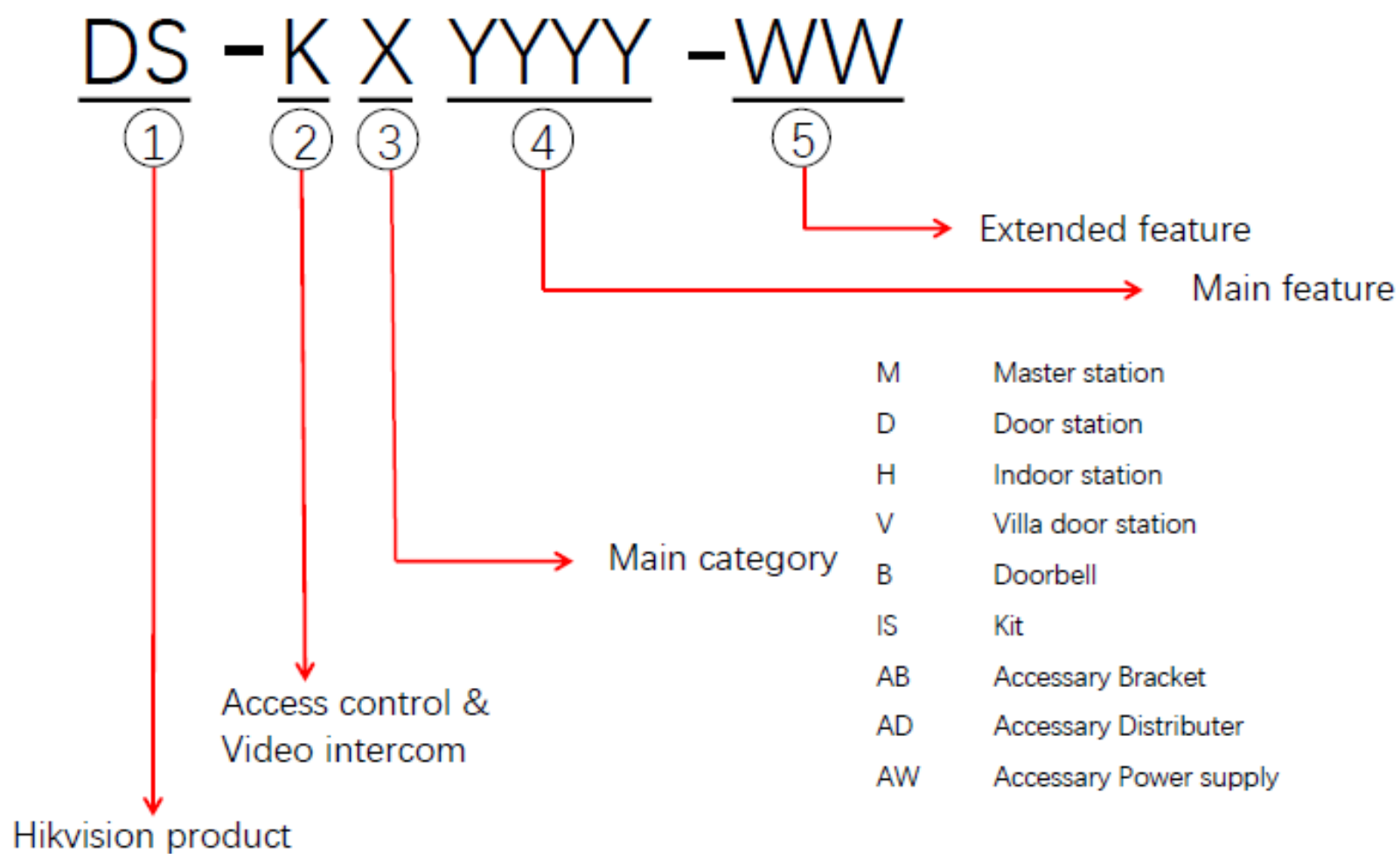
Example:

DS-K7P01	Exit button (K7P), Aluminum alloy touch panel, different shape (01)
DS-K7P02	Exit button (K7P), Aluminum alloy touch panel, different shape (02)
DS-K7P03	Exit button (K7P), Stainless steel untouch panel, different shape (03)
DS-K7P04	Exit button (K7P), Stainless steel untouch panel, different shape (04)
DS-K7P05	Exit button (K7P), Stainless steel touch panel, different shape (05)
DS-K7P06	Exit button (K7P), Stainless steel touch panel, different shape (06)
DS-K7PEB	Exit button (K7P), Emergency break glass (EB)



Video Intercom

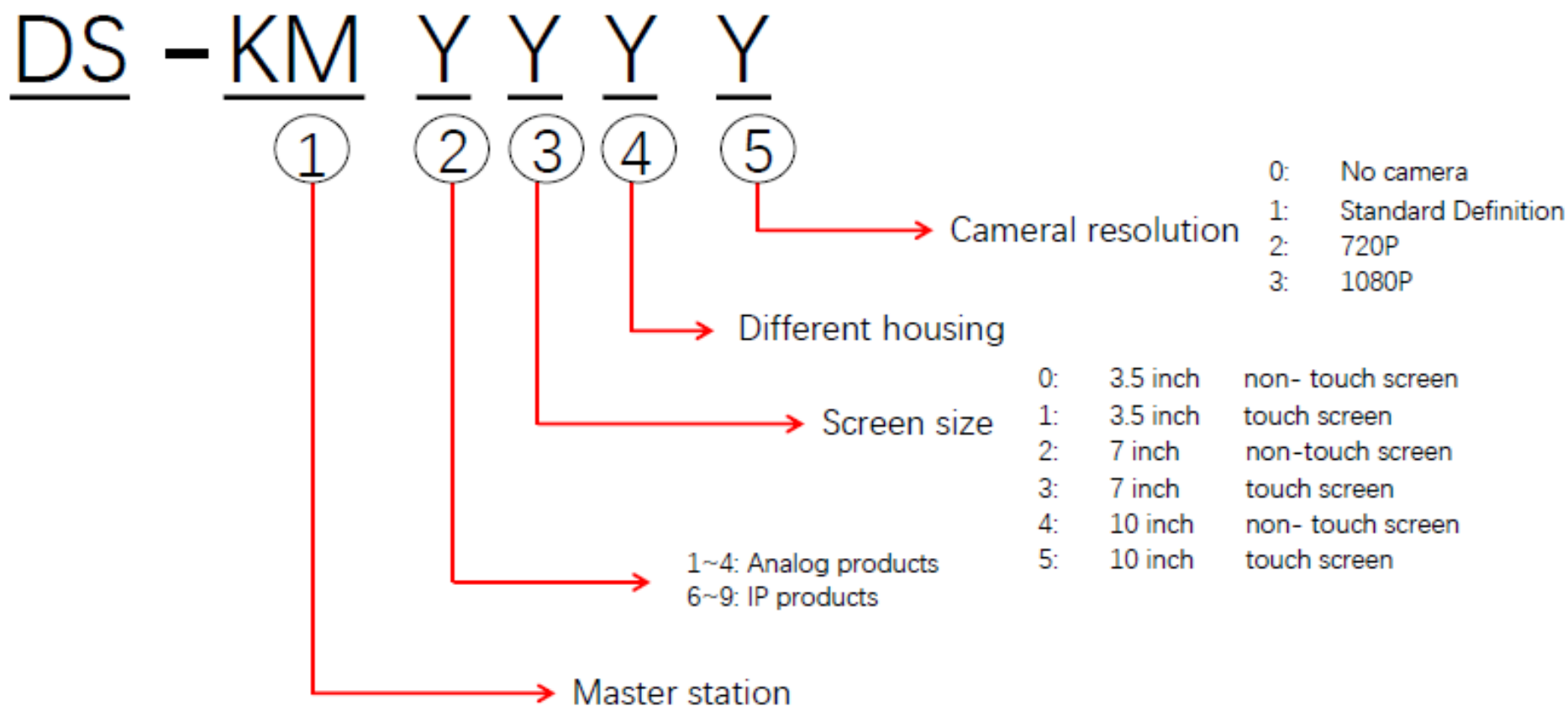
General Naming Rules





Video Intercom

Master Station Naming Rules



Example:

DS-KM8301

Master station (KM), IP product (8) with 7 inch touch screen (3), Housing 0 (0), SD Cameral resolution (1).



Video Intercom

Indoor Station Naming Rules

DS - KH Y Y Y Y - WWW

1

2

3

4

5

6

Indoor station

1~2: 4-Wire analog products
3-4: Analog products
6-9: IP products

- 0: 4.3 inch non-touch screen
- 1: 4.3 inch touch screen
- 2: 7 inch non-touch screen
- 3: 7 inch touch screen
- 4: 10 inch non-touch screen
- 5: 10 inch touch screen

Screen size

Different housing

Camera resolution

- 0: without camera
- 1: 0.3 mega pixel resolution
- 2: 1.3 mega pixel resolution
- 3: 2.0 mega pixel resolution

Extra description

- H: Handle
- W: WiFi
- Z: Zigbee
- B: Bluetooth
- T: TF Card
- E0: Private PoE
- E1: Standard PoE
- E2: 2-wire
- E3: Powered by 220V PLC AC
- E4: Powered by 220V AC
- E5: Powered by Battery
- E6: Powered by 12V DC

Example:

DS-KH8520-WTE1	Indoor station (KH) , IP product (8) with 10 inch touch screen (5), Housing 2 (2), without camera (0), support WiFi (W), TF card (T), standard PoE (E1).
DS-KH8350-WTE1	Indoor station (KH) , IP product (8) with 7 inch touch screen (3), Housing 5 (5), without camera (0), support WiFi (W), TF card (T), standard PoE (E1).
DS-KH8301-WT	Indoor station (KH) , IP product (8) with 7 inch touch screen (3), Housing 0 (0), with 0.3MP camera (1), support WiFi (W), TF card (T),
DS-KH8300-T	Indoor station (KH) , IP product (8) with 7 inch touch screen (3), Housing 0 (0), without camera (0), support TF card (T),



Video Intercom

Door Station Naming Rules

HIKVISION

DS - KD Y Y Y Y - WWW

1

2

3

4

5

6

Door station

1-2: 4-wire analog products
3~4: Analog products
6~8: IP products
9: Intelligence products

Screen size

- 0: 3.5 inch screen & Mech. Key or without screen
- 1: 3.5 inch screen & Touch Key
- 2: 4.3 inch screen & Mechanical key
- 3: 4.3 inch screen & Touch key
- 4: 7 inch screen & Mechanical key
- 5: 7 inch screen & Touch key

Appearance

Extra description

Camera resolution

- 0: without camera
- 1: 0.3 mega pixel resolution
- 2: 1.3 mega pixel resolution
- 3: 2.0 mega pixel resolution

- B: Bluetooth
- F: Fingerprint
- G: 4G
- W: WiFi
- T: TF Card/Large Capacity for Face
- E0: Private PoE
- E1: Standard PoE
- E2: 2-wire
- E3: Powered by 220V PLC AC
- E4: Powered by 220V AC
- E5: Powered by Battery
- E6: Powered by 12V DC
- I: Infrared Light
- V: Visible Light
- M: Metal
- P: Plastic

Example:

DS-KD8003-IME1	Digital Door station (KD8), without screen (0), Appearance 0 (0), 2MP camera (3). Support Infrared Light (I), Metal (M), Standard PoE (E1).
DS-KD8003-IME2	Digital Door station (KD8), without screen (0), Appearance 0 (0), 2MP camera (3). Support Infrared Light (I), Metal (M), 2-Wire (E2).
DS-KD8102-V	Digital Door station (KD8), with 3.5 inch screen & Touch. Key (1), Appearance 0 (0), 1.3MP camera (2). Support Visible Light (V).

Video Intercom

Modular Door Station Naming Rules



Display module
DS-KD-**DIS**



Keypad module
DS-KD-**KP**



Nametag module
DS-KD-**KK**



EM Card reader module
DS-KD-**E** (125KHz)



Mifare Card reader module
DS-KD-**M** (13.5MHz)



Indicator module
DS-KD-**IN**



Blank module
DS-KD-**BK**



Accessories for Surface mounting
DS-KD-**ACW1**



Accessories for Flush mounting
DS-KD-**ACF1**



Rain shield Accessories for Surface mounting
DS-KD-ACW1-**RS**



Video Intercom

Villa Door Station Naming Rules



DS - KV Y Y Y Y - WWW

1

2

3

4

5

7

Door station

1~4: Analog products
6~9: IP products

1: 1 Button
2: 2 buttons
3: 3 buttons
4: 4 buttons

Different housing

Camera resolution

0: without camera
1: 0.3 mega pixel resolution
2: 1.3 mega pixel resolution
3: 2.0 mega pixel resolution

Extra description

- B: Bluetooth I: Infrared Light
- F: Fingerprint V: Visible Light
- G: 4G M: Metal
- W: WiFi P: Plastic
- T: TF Card/Large Capacity for Face
- E0: Private PoE
- E1: Standard PoE
- E2: 2-wire
- E3: Powered by 220V PLC AC
- E4: Powered by 220V AC
- E5: Powered by Battery
- E6: Powered by 12V DC

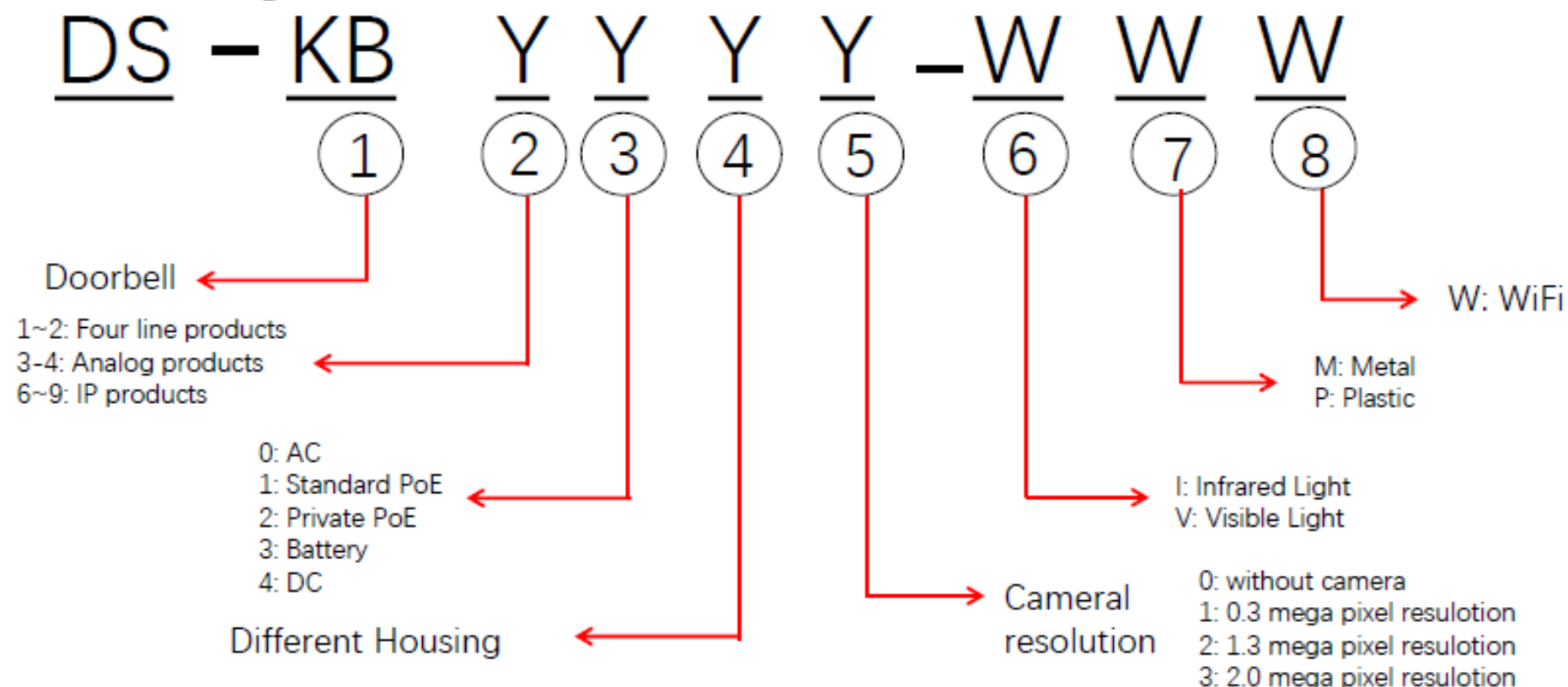
Example:

DS-KV6102-IPE1	Villa Door station (KV), IP product (6) with 1 button (1), Housing 0 (0), 1.3MP camera (2). Support Infrared Light (I), Plastic (P), Standard PoE (E1).
DS-KV8402-IM	Villa Door station (KV), IP product (8) with 4 buttons (4), Housing 0 (0), 1.3MP camera (2). Support Infrared Light (I), Metal (M)
DS-KV8103-IME2	Villa Door station (KV), IP product (8) with 1 buttons (1), Housing 0 (0), 2MP camera (3). Support Infrared Light (I), Metal (M), 2-Wire (E2).
DS-KV8X13-WIME1	Villa Door station (KV), IP product (8) with X buttons (X), Housing 1 (1), 2MP camera (3). Support Infrared Light (I), Metal (M), standard PoE (E1).



Video Intercom

Doorbell Naming Rules



Example:

DS-KB6403-WIP	Doorbell (KB), IP product (6) with DC power supply (4), Housing 0 (0), 2MP camera (3). Support WiFi (W), Infrared Light (I), Plastic (P)
DS-KB8112-IM	Doorbell (KB), IP product (8) with Standard PoE (1), Housing 1 (1), 1.3MP camera (2). Support Infrared Light (I), Metal (M)



Video Intercom

Accessory Bracket Naming Rules

DS - KAB Y YYYY - W

1

2

4

7

Accessory Bracket

H: Indoor station
D: Door station
M: Master station
V: Villa station

Product series

T: Table bracket
RS: Rain Shield
A: Angle
G: Gang box

Example:

DS-KABH6320-T	Accessory bracket for indoor station (KABH), 6320 / 8520 product series (6320), Table bracket (T)
DS-KABH8350-T	Accessory bracket for indoor station (KABH), 8350 product series (8350), Table bracket (T)
DS-KABD9613	Accessory bracket for door station (KABD), 9613 product series (9613),



Video Intercom

Accessory Distributer Naming Rules

DS – KAD Y YY – W

1

2

3

4

Accessory Distributer

- 2: 4-wire Analog
- 3: Analog products
- 6: IP products
- 7: 2-wire IP product

- P: with Power supply
- N: Not with power supply
- S: Switch with its power cable and adaptor

Interface quantity

Example:

DS-KAD606	Switching mode (KAD), IP product (6), 6 adaptive 10/100 Mbps and 2 adaptive 10/100 Mbps cascading LAN interfaces (06),
DS-KAD612	Switching mode (KAD), IP product (6), 12 adaptive 10/100 Mbps and 4 adaptive 10/100 Mbps cascading LAN interfaces (12),
DS-KAD606-N	Switching mode (KAD), IP product (6), 6 adaptive 10/100 Mbps and 2 adaptive 10/100 Mbps cascading LAN interfaces (06), NOT with power supply (N)
DS-KAD606-P	Switching mode (KAD), IP product (6), 6 adaptive 10/100 Mbps and 2 adaptive 10/100 Mbps cascading LAN interfaces (06), with power supply (P)
DS-KAD706	Switching mode (KAD), 2-wire IP product (7), 6 2-wire interface and 1 RJ-45 interface (06),
DS-KAD706-S	Switching mode (KAD), 2-wire IP product (7), 6 2-wire interface and 1 RJ-45 interface (06), Switch with its power cable and adaptor (S)
DS-KAD709	Switching mode (KAD), 2-wire IP product (7), 9 2-wire interface and 1 RJ-45 interface (09),



Video Intercom

Accessory Power supply Naming Rules

DS – KAW YYY – W W

1

2

3

4

Accessory Power supply

Power Watts

B: Battery
N: Without Box

1: 12V output
2: 24V output

Example:

DS-KAW60-2N	Power supply (KAW), Output: 60W (60), 24 VDC (2), without Box (N).
DS-KAW50-1	Power supply (KAW), Output: 50W (50), 12 VDC (1),
DS-KAW50-1N	Power supply (KAW), Output: 50W (50), 12 VDC (1), without Box (N).
DS-KAW150-2N	Power supply (KAW), Output: 150W (150), 24 VDC (2), without Box (N).