

# Installation Instructions

The PC5349 module is designed to allow both PC5132-900 and PC5132-433 receivers to operate on one alarm system.

## 1. Specifications

- 12VDC, 180mA with both receivers connected to control panel
- Keybus compatible
- Supports 32 zones (combined 900MHz and 433MHz)
- Supports 8 wireless keys (sections 41-48)
- Compatible control panels:  
PC5010, PC5020, PC5015, PC1555MX, PC585, PC580
- Compatible 900MHz devices:  
WLS907, WLS915, WLS904, WLS914, WLS909, WLS929
- Compatible 433MHz devices:  
WLS925, WLS904, WS4939, WS4916, WLS914, WLS912

**Note:** *This device has not been evaluated by UL.*

## 2. Limitations

- The PC5349 module only supports the PC5132-433 and PC5132-900 receivers.
- NO OTHER RECEIVER PRODUCTS ARE SUPPORTED.
- No wireless information can be uploaded or downloaded when the PC5349 module is used.
- When any wireless programming change is made, wait 2 minutes after exiting programming for the PC5349 module to update the wireless receivers. DO NOT ENTER INSTALLER PROGRAMMING DURING THIS TIME.
- The PC5320 module is not supported and cannot be used in conjunction with the PC5349 module.
- WLS910 hand held keypad is not supported with the PC5349 module.

## 3. Installation and setup

Power down the panel before installing and connecting this module.

**Note:** *For correct operation:*

*Do NOT enable RF Jam detection.*

*Do NOT enable Identified wireless key option.*

### 3.1 Adding 433Mhz wireless keys (i.e. WS4939)

**Note:** *If you have previously installed the PC5349 module, to add/replace additional key, go directly to Step 3.*

Step 1 - With power off, connect PC5349 module as indicated in Figure 1.

Step 2 - Apply power to system. Wait approximately 2 minutes for device and receiver mapping to take effect.

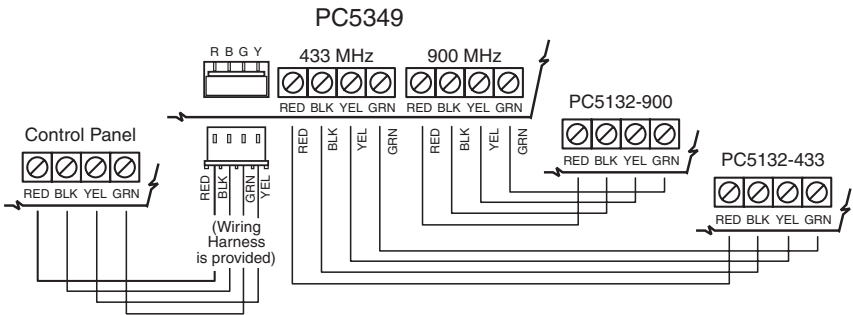
**Note:** *Do not go into programming mode during this time.*

Step 3 - Enroll, program, and test wireless keys (sections 41-48) as described in the PC5132-433 *Installation Manual*.

### 3.2 Replacing zones

- Step 1 - Delete the 900MHz device that is to be re-placed from 900MHz receiver (erase Serial No., refer to the PC5132-900 *Installation Manual*).
- Step 2 - Power down, and disconnect the 900MHz receiver.
- Step 3 - Connect the 433MHz receiver directly to panel.
- Step 4 - Program the new device in the zone slot deleted in step #1.
- Step 5 - Perform placement test on the new device
- Step 6 - Power down, and disconnect the 433MHz receiver.
- Step 7 - Connect the PC5349 module, and both receivers as shown in Figure 1.
- Step 8 - Apply power to system. Wait approximately 2 minutes for device and receiver mapping to take effect.  
**Note:** *Do not go into programming mode during this time.*
- Step 9 - Test all wireless zones (i.e., tripped and restored) to ensure correct operation. **Note:** *Executing a receiver software default command will only default the PC5132-433 receiver. The PC5132-900 receiver will not be defaulted.*
- Step 10 - **Adding/Replacing Wireless Zones:** When returning to an install that has the PC5349 module installed. To enroll additional 433Mhz devices you must repeat the setup from step 1 of this section.

**Figure 1, PC5349 Module Wiring Diagram**



*This manual shall be used in conjunction with the Installation Manual of the alarm control panel. All the instructions specified within that manual must be observed.*

#### FCC COMPLIANCE STATEMENT

**CAUTION:** *Changes or modifications not expressly approved by Digital Security Controls could void your authority to use this equipment.*

This device complies with Part 15 of the FCC rules. Operation is subject to the following two conditions: (1) This device may not cause harmful interference, and (2) this device must accept any interference received, including interference that may cause undesired operation.



© 2005 Digital Security Controls

Toronto, Canada • [www.dsc.com](http://www.dsc.com)

Technical Support: 1-800-387-3630 (Canada & US), 905-760-3036

Printed in Taiwan